



Design standards: The bleachers shall be designed to support, in addition to their weight, a uniformly distributed live load of not less than 120 pounds per square foot of gross horizontal projection of the bleachers. All seat and foot plank members shall be designed to support no less than 125 pounds per liner foot, over a 6 foot span, multi-span condition. Bleachers shall be designed to resist, with or without live load, horizontal wind load of 30 pounds per square foot of gross vertical projection. They shall be designed to resist, in addition to the live load, sway forces applied to the seats, in a direction parallel to the direction of the seat plank, 24 pounds per linear foot of seat plank, and separately, in a direction perpendicular to the direction of seats, 10 pounds per linear foot of seat plank.



KAY's Vertical Bar Guard Rails (V4) 4" Spaced

Kay Park's Vertical Bar Guard Rails (Patented #404-141) were introduced to the outdoor portable bleacher industry, an innovation whose time has come. Vertical galvanized steel bars eliminate the "ladder effect" and a possible toe - hold for climbing on the guardrails. The possibility of accidents and serious injury and liability can be reduced by using vertical bar railing. This is part of Kay Park's continuing effort to make good products even better since 1954. We urge you to plan your purchases on the side of safety. Please note that Kay Park's 3 & 4 Row Low Rise Bleachers are EXEMPT from current guard rail rules because they are less than 30" high. Model numbers with 'V4' include Vertical Bar Guard Rails.



Full Width Footboards (F4)

Many of the various recent codes for outdoor bleacher seating require any opening more than 30" above the ground be small enough so that a 4" sphere cannot pass through. Kay Park has designed a system using two footboards and one riser plank. This system fills the space underneath the seats from the 4th row up to meet the 4" sphere guideline. Double footboards add a lot of comfort and peace of mind to the spectators. Model numbers with 'F4' include the double footboards and riser planks. NEW! Extruded riser provides even more strength and easier aisle assembly!



Custom Bleacher Wrap

Add custom wrap to your new bleachers for the finished look or add to older bleachers to add school spirit.

- Custom Design (Logo)
- Up to 60" Wide Panels Sections
- Direct Print to Mesh
- Full Color Bleed
- Grommets for Easy Assembly
- **Call for Pricing**

BLA Series Aluminum Angle Frame

Aluminum frames fabricated from a combination of 2" x 2" x 3/16" 6061-T6 alloy aluminum angles and channel using a punched and bolted type construction for maximum strength and safety. All main frame components are pre-assembled with large 1/2" diameter bolts, lock washers and nuts. This bolted aluminum frame provides strong joints that will not develop-weld cracks. Model number with a 'BLA' are aluminum frames.

BLG Series Galvanized Steel Frame

Steel frames are fabricated from A36 alloy steel angles using full welds at all joints to give added strength. A combination of 2" x 2" x 3/16" and 1 3/4" x 1 3/4" x 3/16" angles are used, as required, for strength throughout each frame. Connecting "X" braces are 1 1/2" wide by 1/4" thick A36 alloy steel. For greatest protection and longest life, all parts are hot-dip galvanized after fabrication. Model numbers with a 'BLG' are galvanized steel frames.

Aisles & Handrails

Your local code may require one or more aisles and handrails. We do custom bleachers but some typical aisles are a 48" wide center aisle with handrail or a 36" wide aisle for an end aisle. Aisles require double footboards and risers and meet 4" opening guidelines. Heavy duty non-slip step up indicator tape is placed on each step for safety. Model numbers with '48AHR' include a 48" wide center aisle with handrail. Model numbers with '36A' include a 36" end aisle. Contact a sales rep for pricing.

Wheelchair Cut Outs

Check with your local code to see if they require wheelchair cut outs. The double wheelchair space allows for two wheelchairs and a companion to sit directly beside each wheelchair. Add 'DWCS' to the model number.

Bleacher Plank Specifications

Aluminum: Seat planks 6063-T6 extruded aluminum which is clear anodized to standard 204-R1 specification. Standard 8" rise per row uses 2" x 10" seats and low rise 6" rise uses 2" x 12" seats. Walk boards are 2" x 10" 6063-T6 extruded mill finish aluminum. End caps (anodized) and hold down clips are also extruded aluminum. Powder coated colors also available. Call for Details. Model numbers with a "Row#A" row number followed by an 'A' are aluminum planks. **Backrests available**. Fully enclosed decking also available.

CALL 1-800-553-2476 FOR A CUSTOMIZED QUOTE TODAY!

Better Bleacher Seat

- Transforms Your Bench Seating Into a Comfortable Stadium Style Chair
- Automatic Tip-Down Back Rest (Our Safety Must-Have)
- Manufactured for Your Code-Compliance for Both Indoor or Outdoor
- Superior Manufacturing Quality and Durability
- Tired of Renting? Purchase Outright or Over Time
- Keep All of Your Revenue
- No More Wet Seats
- Installation is Quick and Easy
- Improve a Row, a Section or Your Complete Facility
- Gray, royal blue, black and navy blue

BBSSEAT Seat 17.82" W x 11.97"D- Total Depth 14.3" 8 Lbs





Kay Park's Elevated Bleachers are made to the same high standards and have the same superior features as our non-elevated bleachers. They are backed by our 60 plus years of expertise in building commercial outdoor recreation products. They are safety-equipped with vertical bar guardrails (V4)(patent #404-141) and double width footboards with risers beneath the seats (F4), our elevated bleachers meet the 4" sphere guideline in recent building codes. Standard sizes are 5, 8, 10 and 15 rows and come in many different lengths, and seating capacities. Our bleacher specialist can help you determine placement of entrance stairs, wheelchair ramps, wheelchair spaces and aisles ways to best suit your space, needs and code requirement.

Call 1-800-553-2476 to get your custom quote.

Flexible Placement of:

- Entrance Stairs
- Wheelchair Ramps
- Wheelchair Spaces
- Aisles
- Other Custom Options

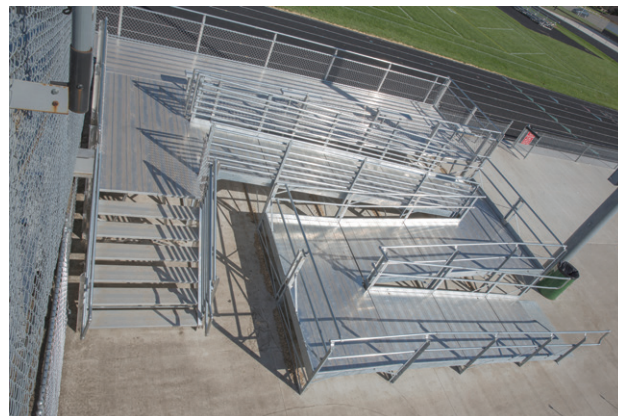
Standard Elevated Sizes:

5, 8, 10 & 15 Rows
Available in many different lengths & seating capacities.

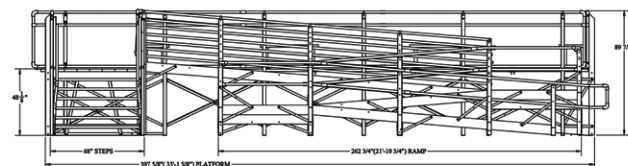


CALL 1-800-553-2476 FOR A CUSTOMIZED QUOTE TODAY!

ADA Ramps



Add ADA seating to existing Non-compliant bleachers as Featured in: Dec. '14 Athletic Business



Fully Customizable

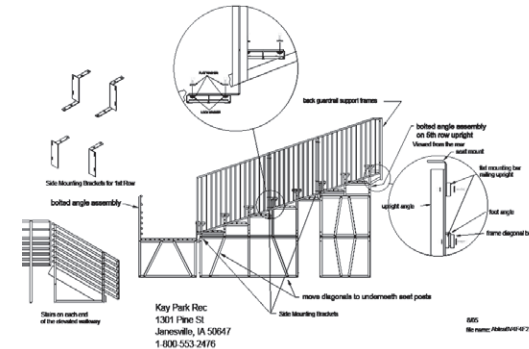
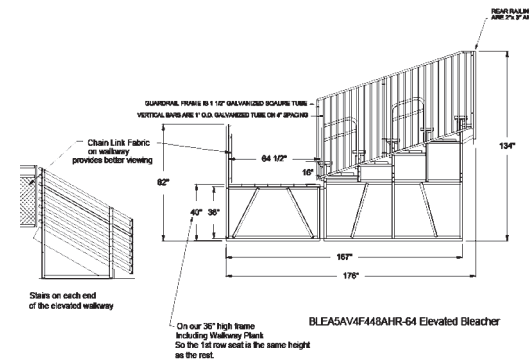
Custom ADA ramps. FREE Quotes Call Today.



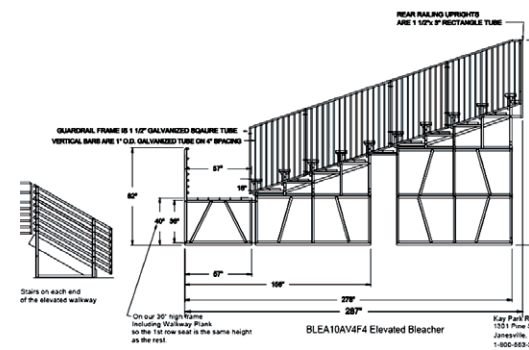
Companion seats:



Standard 5, 8, 10 & 15 Rows - Many length, seating capacities & configuration!



Have unique needs? We can work with you!!



Drawings available. Call Us! 1-800-553-2476



10 Row Basics:
 Every 10 row includes; Safe Vertical Bar Guard Rails, Double Footboards & Risers that meet the 4" Guidelines.
Local Code May Require:
 -Optional ADA Spaces
 -Optional Aisles

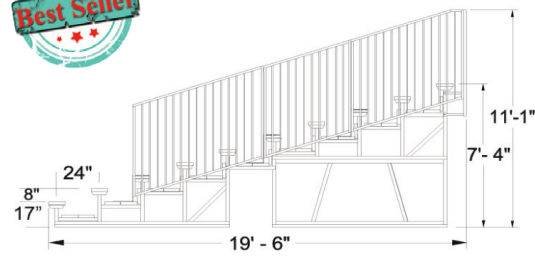
Ask about our Powder Coating Options!
 Custom color coating any or all bleacher parts.



Optional ADA Wheelchair Spaces for any Bleacher.

DWCS Double Space

8 Row Basics:
 Every 8 row includes; Safe Vertical Bar Guard Rails, Double Footboards & Risers that meet the 4" Guidelines.
Local Code May Require:
 -Optional ADA Spaces
 -Optional Aisles



10 Row Standard 8" Rise Bleachers

Aluminum Frame

Strong 2" x 2" x 3/16" Angles & Channels

Model	Seat Plank	Rows	Length	Weight	# Seats
BLA10A15V4F4	Aluminum, 2x10 seat plank	10	15'	2155 Lbs	100
BLA10A21V4F4	Aluminum, 2x10 seat plank	10	21'	2805 Lbs	140
BLA10A27V4F4	Aluminum, 2x10 seat plank	10	27'	3484 Lbs	180
BLA1015V4	Frame only, incl. hardware	10	15'	1625 Lbs	100

Galvanized Steel Frame

1 3/4" x 1 3/4" x 2" x 3/16" Angles

Model	Seat Plank	Rows	Length	Weight	# Seats
BLG10A15V4F4	Aluminum, 2x10 seat plank	10	15'	2535 Lbs	100
BLG10A21V4F4	Aluminum, 2x10 seat plank	10	21'	3355 Lbs	140
BLG10A27V4F4	Aluminum, 2x10 seat plank	10	27'	4155 Lbs	180
BLG1015V4	Frame only, incl. hardware	10	15'	1614 Lbs	100

48AHR	48" Aisle & handrail	120 Lbs
36A	36" Aisle (15' units end only)	75 Lbs

8 Row Standard 8" Rise Bleachers

Aluminum Frame

Strong 2" x 2" x 3/16" Angles & Channels

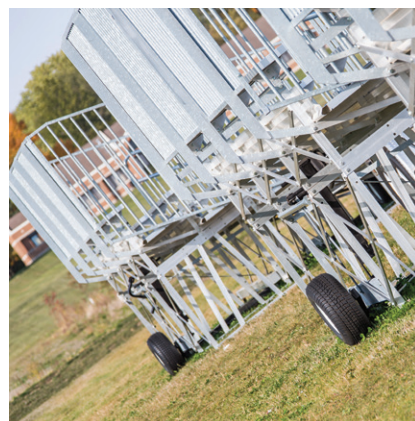
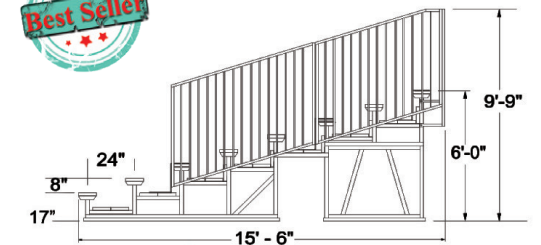
Model	Seat Plank	Rows	Length	Weight	# Seats
BLA8A15V4F4	Aluminum, 2x10 seat plank	8	15'	1736 Lbs	80
BLA8A21V4F4	Aluminum, 2x10 seat plank	8	21'	2300 Lbs	112
BLA8A27V4F4	Aluminum, 2x10 seat plank	8	27'	2960 Lbs	144
BLA815V4	Frame only, incl. hardware	8	15'	1159 Lbs	80

Galvanized Steel Frame

1 3/4" x 1 3/4" x 2" x 3/16" Angles

Model	Seat Plank	Rows	Length	Weight	# Seats
BLG8A15V4F4	Aluminum, 2x10 seat plank	8	15'	2006 Lbs	80
BLG8A21V4F4	Aluminum, 2x10 seat plank	8	21'	2640 Lbs	112
BLG8A27V4F4	Aluminum, 2x10 seat plank	8	27'	3367 Lbs	144
BLG815V4	Frame only, incl. hardware	8	15'	1271 Lbs	80

48AHR	48" Aisle & handrail	120 Lbs
36A	36" Aisle (15' units end only)	75 Lbs



Jiffy Mover For 10 Row

Kay Park's Jiffy Mover "crank-up" unit is fast and easy to use for just one person. Special care has gone into the Jiffy design to reduce tongue weight for easier maneuvering by hand if needed. Primarily designed for transporting 10 row, 15', 21', and 27', long bleachers. Top recommended speed is 5 MPH. Aluminum frame bleachers only.

Complete Systems	(- Permanently stays w/ bleacher.)	Weight
JIF1015	10 Row, 15' long-complete system	665 Lbs
JIF1021	10 Row, 21' long-complete system	722 Lbs
JIF1027	10 Row, 27' long-complete system	777 Lbs



Jiffy Mover For 8 Row

Kay Park's Jiffy Mover "crank-up" unit is fast and easy to use for just one person. Special care has gone into the Jiffy design to reduce tongue weight for easier maneuvering by hand if needed. Primarily designed for transporting 8 row, 15', 21', and 27', long bleachers. Top recommended speed is 5 MPH. Aluminum frame bleachers only.

Complete Systems	(- Permanently stays w/ bleacher.)	Weight
JIF815	8 Row, 15' long-complete system	525 Lbs
JIF821	8 Row, 21' long-complete system	582 Lbs
JIF827	8 Row, 27' long-complete system	642 Lbs

When Ordering Bleachers

We advise that you check your local requirements for such things as aisle, guardrails, ADA, or other requirements. Building codes may vary by year written and by group who issues them (IBC, UBC, BOCA, SBC, NFPA, etc.)





5 Row Basics:
5 row includes Safe Vertical Bar Guard Rails, Double Footboards & Risers that meet the 4" Guidelines.
Local Code May Require:
-Optional ADA Spaces
-Optional Aisles

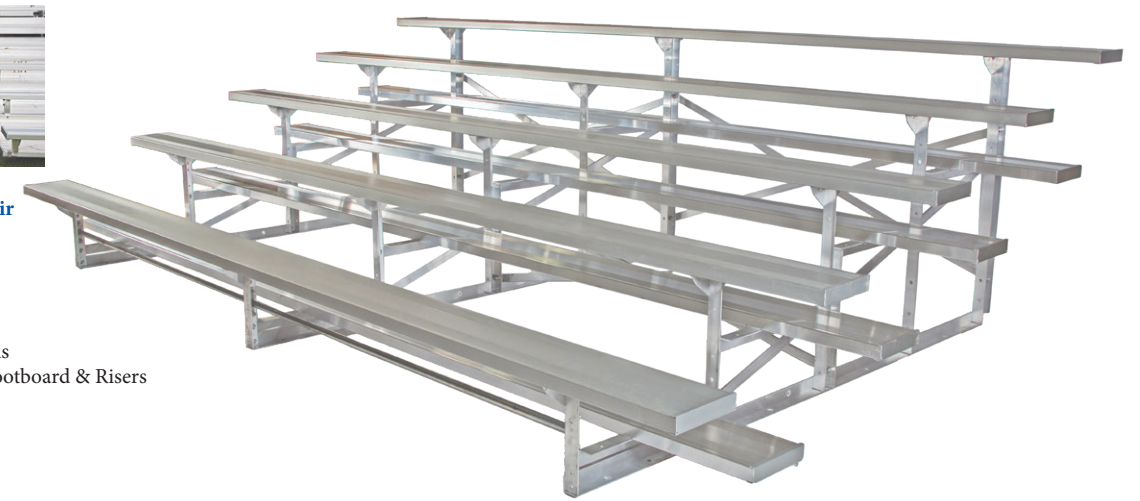


Optional ADA Wheelchair Spaces for any Bleacher.

DWCS Double Space

5 Row Basics:
-This page has NO Guardrails
-This page has No Double Footboard & Risers

Local Code May Require:
-Optional ADA Spaces
-Optional Aisles



5 Row Standard 8" Rise Bleachers

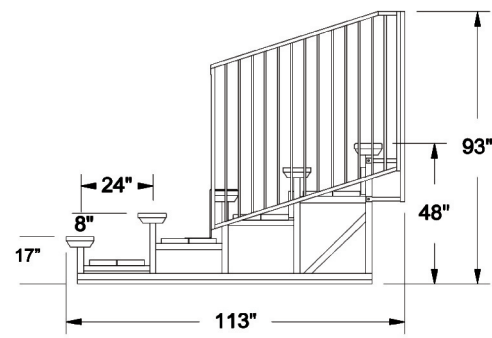
Aluminum Frame *Strong 2" x 2" x 3/16" Angles & Channels*

Model	Seat Plank	Rows	Length	Weight	# Seats
BLA5A15V4F4	Aluminum, 2x10 seat plank	5	15'	1063 Lbs	50
BLA5A21V4F4	Aluminum, 2x10 seat plank	5	21'	1423 Lbs	70
BLA5A27V4F4	Aluminum, 2x10 seat plank	5	27'	1735 Lbs	90
BLA515V4	Frame only, incl. hardware	5	15'	667 Lbs	50

Galvanized Steel Frame *1 3/4" x 1 3/4" x 2" x 2" x 3/16" Angles*

Model	Seat Plank	Rows	Length	Weight	# Seats
BLG5A15V4F4	Aluminum, 2x10 seat plank	5	15'	1124 Lbs	50
BLG5A21V4F4	Aluminum, 2x10 seat plank	5	21'	1494 Lbs	70
BLG5A27V4F4	Aluminum, 2x10 seat plank	5	27'	1863 Lbs	90
BLG515V4	Frame only, incl. hardware	5	15'	718 Lbs	50

48AHR	48" Aisle & handrail	120 Lbs
36A	36" Aisle (15' units end only)	75 Lbs



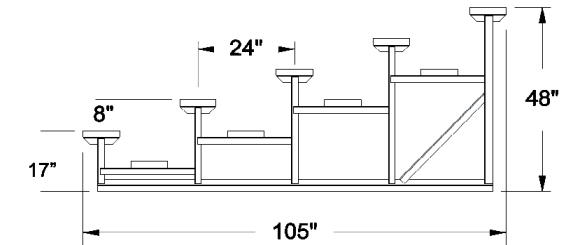
5 Row 8" Rise Bleachers- No Rails & 1 Footboard

Aluminum Frame *Strong 2" x 2" x 3/16" Angles & Channels*

Model	Seat Plank	Rows	Length	Weight	# Seats
BLA5A15	Aluminum, 2x10 seat plank	5	15'	395 Lbs	50
BLA5A21	Aluminum, 2x10 seat plank	5	21'	573 Lbs	70
BLA5A27	Aluminum, 2x10 seat plank	5	27'	708 Lbs	90
BLA515	Frame only, incl. hardware	5	15'	166 Lbs	50

Galvanized Steel Frame *1 3/4" x 1 3/4" x 2" x 2" x 3/16" Angles*

Model	Seat Plank	Rows	Length	Weight	# Seats
BLG5A15	Aluminum, 2x10 seat plank	5	15'	523 Lbs	50
BLG5A21	Aluminum, 2x10 seat plank	5	21'	756 Lbs	70
BLG5A27	Aluminum, 2x10 seat plank	5	27'	947 Lbs	90
BLG515	Frame only, incl. hardware	5	15'	293 Lbs	50



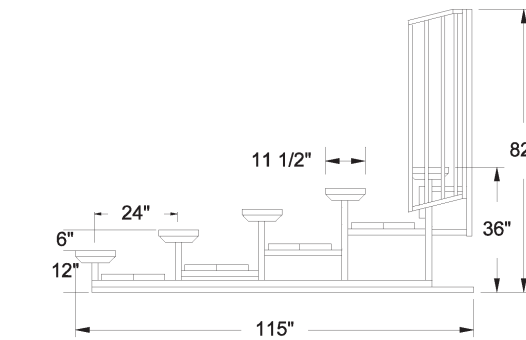
5 Row 6" Low Rise Bleachers

Aluminum Frame *Strong 2" x 2" x 3/16" Angles & Channels*

Model	Seat Plank	Rows	Length	Weight	# Seats
BLRA5A15V4F4	Aluminum, 2x12 seat plank	5	15'	925 Lbs	50
BLRA5A21V4F4	Aluminum, 2x12 seat plank	5	21'	1273 Lbs	70
BLRA5A27V4F4	Aluminum, 2x12 seat plank	5	27'	1419 Lbs	90
BLRA515V4	Frame only, incl. hardware	5	15'	561 Lbs	50

Galvanized Steel Frame *1 3/4" x 1 3/4" x 2" x 2" x 3/16" Angles*

Model	Seat Plank	Rows	Length	Weight	# Seats
BLRG5A15V4F4	Aluminum, 2x12 seat plank	5	15'	1063 Lbs	50
BLRG5A21V4F4	Aluminum, 2x12 seat plank	5	21'	1456 Lbs	70
BLRG5A27V4F4	Aluminum, 2x12 seat plank	5	27'	1820 Lbs	90
BLRG515V4	Frame only, incl. hardware	5	15'	668 Lbs	50



6" Low Rise Bleachers ("LR")

Aisle and handrails NOT required by many codes when: * 11 1/2 Wide seat planks * Rise to 6" per row * First row seat is 12" high

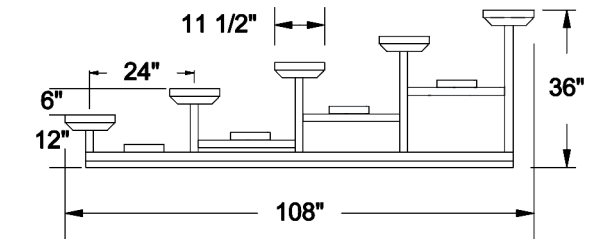
5 Row 6" Low Rise Bleachers- No Rails & 1 Footboard

Aluminum Frame *Strong 2" x 2" x 3/16" Angles & Channels*

Model	Seat Plank	Rows	Length	Weight	# Seats
BLRA5A15	Aluminum, 2x12 seat plank	5	15'	395 Lbs	50
BLRA5A21	Aluminum, 2x12 seat plank	5	21'	573 Lbs	70
BLRA5A27	Aluminum, 2x12 seat plank	5	27'	708 Lbs	90
BLRA515	Frame only, incl. hardware	5	15'	166 Lbs	50

Galvanized Steel Frame *1 3/4" x 1 3/4" x 2" x 2" x 3/16" Angles*

Model	Seat Plank	Rows	Length	Weight	# Seats
BLRG5A15	Aluminum, 2x12 seat plank	5	15'	533 Lbs	50
BLRG5A21	Aluminum, 2x12 seat plank	5	21'	756 Lbs	70
BLRG5A27	Aluminum, 2x12 seat plank	5	27'	947 Lbs	90
BLRG515	Frame only, incl. hardware	5	15'	273 Lbs	50



Jiffy Mover For 5 Row

Kay Park's Jiffy Mover "crank-up" unit is fast and easy to use for just one person. Special care has gone into the Jiffy design to reduce tongue weight for easier maneuvering by hand if needed. Primarily designed for transporting 5 row 15', 21', and 27', long bleachers. Top recommended speed is 5 MPH. Aluminum frame bleachers only.

Complete Systems - (Permanently stays w/ bleacher.)

JIF51521	5 Row, 15' & 21' long-complete system	291 Lbs
JIF527	5 Row, 27' long-complete system	395 Lbs

Component Models - 5 row model only- (Transferable Parts)

JIF5JACK	5 Row, jack only (1 total)	40 Lbs
JIF5WT1521	5 Row, wheel and tongue (1 total) 15', 21'	175 Lbs
JIF5WT27	5 Row, wheel and tongue (1 total) 27'	205 Lbs
JIF5FRM1521	5 Row, frame parts (1 per bleacher) 15', 21'	70 Lbs
JIF5FRM27	5 Row, frame parts (1 per bleacher) 27'	95 Lbs



Jiffy Mover For 5 Row

Kay Park's Jiffy Mover "crank-up" unit is fast and easy to use for just one person. Special care has gone into the Jiffy design to reduce tongue weight for easier maneuvering by hand if needed. Primarily designed for transporting 5 row 15', 21', and 27', long bleachers. Top recommended speed is 5 MPH. Aluminum frame bleachers only.

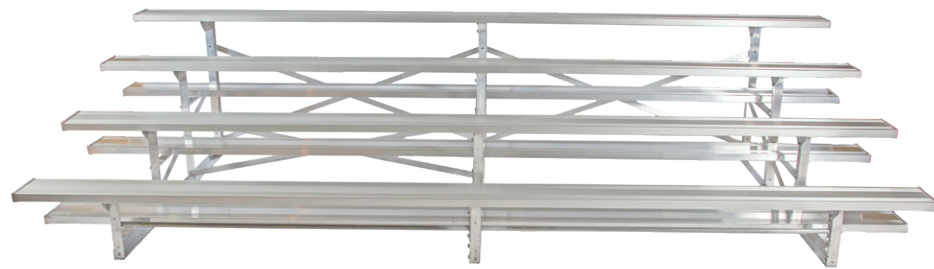
Complete Systems - (Permanently stays w/ bleacher.)

JIF51521	5 Row, 15' & 21' long-complete system	291 Lbs
JIF527	5 Row, 27' long-complete system	395 Lbs

Component Models - 5 row model only- (Transferable Parts)

JIF5JACK	5 Row, jack only (1 total)	40 Lbs
JIF5WT1521	5 Row, wheel and tongue (1 total) 15', 21'	175 Lbs
JIF5WT27	5 Row, wheel and tongue (1 total) 27'	205 Lbs
JIF5FRM1521	5 Row, frame parts (1 per bleacher) 15', 21'	70 Lbs
JIF5FRM27	5 Row, frame parts (1 per bleacher) 27'	95 Lbs





4 Row Basics:
Available with or without; Safe Vertical Bar guard Rails, Double Footboards & Risers that meet the 4" Guidelines.

Local Code May Require:

- Optional ADA Spaces
- Optional Aisles

Design Standards:

Please refer to pages 70 & 71 for design standards. Please call 1-800-553-2476 for specification

4 Row Standard 8" Rise

Aluminum Frame

Model	Seat Plank	Rows	Length	Weight	# Seats
BLA4A15V4F4	Aluminum, 2x10 seat plank	4	15'	850 Lbs	40
BLA4A21V4F4	Aluminum, 2x10 seat plank	4	21'	1138 Lbs	56
BLA4A27V4F4	Aluminum, 2x10 seat plank	4	27'	1388 Lbs	72
BLA415V4	Frame only, incl. hardware	4	15'	553 Lbs	40

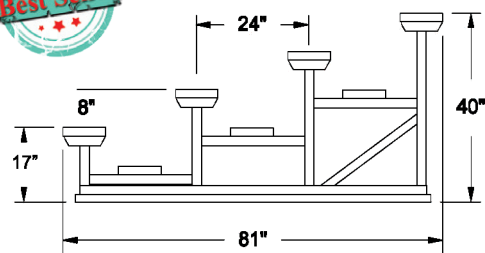
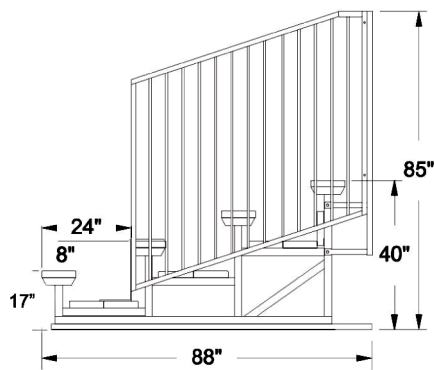
Strong 2" x 2" x 3/16" Angles & Channels

Galvanized Steel Frame

Model	Seat Plank	Rows	Length	Weight	# Seats
BLG4A15V4F4	Aluminum, 2x10 seat plank	4	15'	930 Lbs	40
BLG4A21V4F4	Aluminum, 2x10 seat plank	4	21'	1261 Lbs	56
BLG4A27V4F4	Aluminum, 2x10 seat plank	4	27'	1579 Lbs	72
BLG415V4	Frame only, incl. hardware	4	15'	634 Lbs	40

1 3/4" x 1 3/4" x 2" x 2" x 3/16" Angles

48AHR	48" Aisle & handrail	120 Lbs
36A	36" Aisle (15' units end only)	75 Lbs



4 Row Standard 8" Rise - No Rails & 1 Footboard

Aluminum Frame

Model	Seat Plank	Rows	Length	Weight	# Seats
BLA4A7.5	Aluminum, 2x10 seat plank	4	7.5'	189 Lbs	20
BLA4A15	Aluminum, 2x10 seat plank	4	15'	322 Lbs	40
BLA4A21	Aluminum, 2x10 seat plank	4	21'	458 Lbs	56
BLA4A27	Aluminum, 2x10 seat plank	4	27'	571 Lbs	72
BLA415	Frame only, incl. hardware	4	15'	139 Lbs	40

Strong 2" x 2" x 3/16" Angles & Channels

Galvanized Steel Frame

Model	Seat Plank	Rows	Length	Weight	# Seats
BLG4A7.5	Aluminum, 2x10 seat plank	4	7.5'	240 Lbs	20
BLG4A15	Aluminum, 2x10 seat plank	4	15'	418 Lbs	40
BLG4A21	Aluminum, 2x10 seat plank	4	21'	605 Lbs	56
BLG4A27	Aluminum, 2x10 seat plank	4	27'	758 Lbs	72
BLG415	Frame only, incl. hardware	4	15'	234 Lbs	40

1 3/4" x 1 3/4" x 2" x 2" x 3/16" Angles

4 Row 6" Rise - No Rails & 1 Footboard

Aluminum Frame

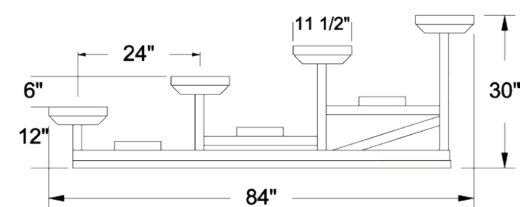
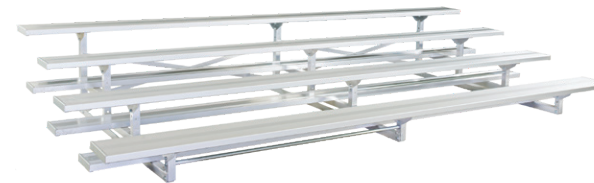
Model	Seat Plank	Rows	Length	Weight	# Seats
BLRA4A7.5	Aluminum, 2x12 seat plank	4	7.5'	198 Lbs	20
BLRA4A15	Aluminum, 2x12 seat plank	4	15'	316 Lbs	40
BLRA4A21	Aluminum, 2x12 seat plank	4	21'	447 Lbs	56
BLRA4A27	Aluminum, 2x12 seat plank	4	27'	563 Lbs	72
BLRA415	Frame only, incl. hardware	4	15'	130 Lbs	40

Strong 2" x 2" x 3/16" Angles & Channels

Galvanized Steel Frame

Model	Seat Plank	Rows	Length	Weight	# Seats
BLRG4A7.5	Aluminum, 2x12 seat plank	4	7.5'	240 Lbs	20
BLRG4A15	Aluminum, 2x12 seat plank	4	15'	418 Lbs	40
BLRG4A21	Aluminum, 2x12 seat plank	4	21'	605 Lbs	56
BLRG4A27	Aluminum, 2x12 seat plank	4	27'	758 Lbs	72
BLRG415	Frame only, incl. hardware	4	15'	234 Lbs	40

1 3/4" x 1 3/4" x 2" x 2" x 3/16" Angles



4 Row Basics:

- This page has NO Guardrails
- This page has No Double Footboard & Risers

Local Code May Require:

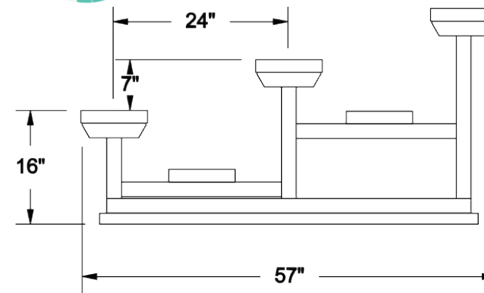
- Optional ADA Spaces
- Optional Aisles

6" Low Rise Bleachers ("LR")

- Aisle and handrails NOT required by many codes when:
 - * 11 1/2 Wide seat planks
 - * Rise to 6" per row
 - * First row seat is 12" high



3 Row Basics This page:
-NO Guardrails needed less than 30"
-NO Double footboards
-Check your local codes
Local Code May Require:
-Optional ADA Spaces
-Optional Aisles



3 Row 7" Rise

Aluminum Frame

Model	Seat Plank	Rows	Length	Weight	# Seats
BLA3A7.5	Aluminum, 2x10 seat plank	3	7.5'	136 Lbs	15
BLA3A15	Aluminum, 2x10 seat plank	3	15'	223 Lbs	30
BLA3A21	Aluminum, 2x10 seat plank	3	21'	326 Lbs	42
BLA3A27	Aluminum, 2x10 seat plank	3	27'	420 Lbs	54
BLA315	Frame only, incl. hardware	3	15'	95 Lbs	30

Strong 2" x 2" x 3/16" Angles & Channels

Galvanized Steel Frame

Model	Seat Plank	Rows	Length	Weight	# Seats
BLG3A7.5	Aluminum, 2x10 seat plank	3	7.5'	160 Lbs	15
BLG3A15	Aluminum, 2x10 seat plank	3	15'	277 Lbs	30
BLG3A21	Aluminum, 2x10 seat plank	3	21'	395 Lbs	42
BLG3A27	Aluminum, 2x10 seat plank	3	27'	510 Lbs	54
BLG315	Frame only, incl. hardware	3	15'	151 Lbs	30

1 3/4" x 1 3/4" x 2" x 2" x 3/16" Angles

3 Row 6" Low Rise

Aluminum Frame

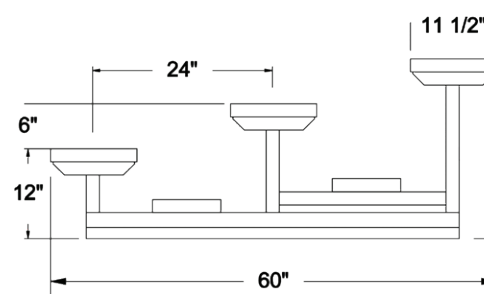
Model	Seat Plank	Rows	Length	Weight	# Seats
BLRA3A7.5	Aluminum, 2x12 seat plank	3	7.5'	136 Lbs	15
BLRA3A15	Aluminum, 2x12 seat plank	3	15'	223 Lbs	30
BLRA3A21	Aluminum, 2x12 seat plank	3	21'	326 Lbs	42
BLRA3A27	Aluminum, 2x12 seat plank	3	27'	420 Lbs	54
BLRA315	Frame only, incl. hardware	3	15'	95 Lbs	30

Strong 2" x 2" x 3/16" Angles & Channels

Galvanized Steel Frame

Model	Seat Plank	Rows	Length	Weight	# Seats
BLRG3A7.5	Aluminum, 2x12 seat plank	3	7.5'	160 Lbs	15
BLRG3A15	Aluminum, 2x12 seat plank	3	15'	277 Lbs	30
BLRG3A21	Aluminum, 2x12 seat plank	3	21'	395 Lbs	42
BLRG3A27	Aluminum, 2x12 seat plank	3	27'	510 Lbs	54
BLRG315	Frame only, incl. hardware	3	15'	151 Lbs	30

1 3/4" x 1 3/4" x 2" x 2" x 3/16" Angles

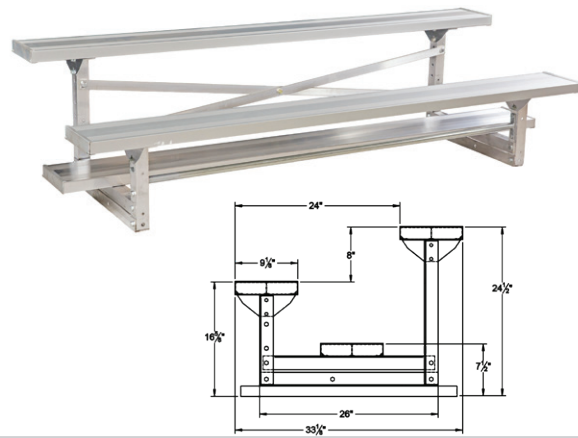


6" Low Rise Bleachers ("LR")

- Aisle and handrails NOT required by many codes when:
 - * 11 1/2 Wide seat planks
 - * Rise to 6" per row
 - * First row seat is 12" high

When Ordering Bleachers

We advise that you check your local requirements for such things as aisle, guardrails, ADA, or other requirements. Building codes may vary by year written and by group who issues them (IBC, UBC, BOCA, SBC, NFPA, etc.)



2 Row 8" Rise Bleachers Aluminum Frame

Model	Seat Plank	Rows	Length	Weight	# Seats
BLA2A7.5	Aluminum, 2x10 seat plank	2	7.5'	83 Lbs	10
BLA2A15	Aluminum, 2x10 seat plank	2	15'	145 Lbs	20
BLA2A21	Aluminum, 2x10 seat plank	2	21'	225 Lbs	28
BLA2A27	Aluminum, 2x10 seat plank	2	27'	260 Lbs	36
BLA215	Frame only, incl. hardware	2	15'	77 Lbs	20

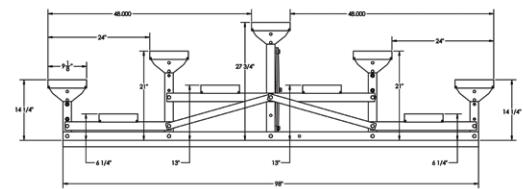
Strong 2" x 2" x 3/16" Angles & Channels



3 Row 7" Rise Back 2 Back Bleachers Aluminum Frame

Model	Seat Plank	Rows	Length	Weight	# Seats
BLDA3A7.5	Aluminum, 2x10 seat plank	3	7.5'	240 Lbs	25
BLDA3A15	Aluminum, 2x10 seat plank	3	15'	299 Lbs	50
BLDA3A21	Aluminum, 2x10 seat plank	3	21'	561 Lbs	70
BLDA3A27	Aluminum, 2x10 seat plank	3	27'	690 Lbs	90
BLDA315	Frame only, incl. hardware	3	15'	164 Lbs	50

Strong 2" x 2" x 3/16" Angles & Channels



Back 2 Back bleachers are ideal between soccer fields and tennis courts

Bleacher Renovation



Custom ADA ramps.
FREE Quotes
Call Today.



Tired of replacing wood planks?
Switch to Aluminum!

Jiffy Movers

Kay Park's Jiffy Mover "crank-up" unit is fast and easy to use for just one person. Special care has gone into the Jiffy design to reduce tongue weight for easier maneuvering by hand if needed. Primarily designed for transporting 5 row 15', 21', and 27', long bleachers. Top recommended speed is 5 MPH. Aluminum frame bleachers only.

Complete Systems	-(Permanently stays w/ bleacher.)	
JIF51521	5 Row, 15' & 21' long-complete system	291 Lbs
JIF527	5 Row, 27' long-complete system	395 Lbs
Complete Systems	-(Permanently stays w/ bleacher.)	
JIF815	8 Row, 15' long-complete system	525 Lbs
JIF821	8 Row, 21' long-complete system	582 Lbs
JIF827	8 Row, 27' long-complete system	642 Lbs
Complete Systems	-(Permanently stays w/ bleacher.)	
JIF1015	10 Row, 15' long-complete system	665 Lbs
JIF1021	10 Row, 21' long-complete system	722 Lbs
JIF1027	10 Row, 27' long-complete system	777 Lbs

Designed to move with reinforced infrastructure



No Parts to Lose



One Person
Set-Up
10 Min



Bleacher Stays Intact

Easy to Move



Tip & Roll System

Kay Park Tip & Roll Bleachers are particularly suitable for your indoor seating that must be moved from one activity to another. Non-marring sills prevent scuffing of floors. Their special length rear extension and clearance above the floor makes tipping either aluminum or galvanized frames in 3, 4, & 5 row models, without railing. Tipping will be easiest with aluminum frames. The set of four 5" casters set contains 2 casters with brakes. NOT available on 8 & 10 row bleachers

Length	Rise		3 Row	4 Row	5 Row
15'	8"	4-5" Casters	31 Lbs	BLTR315	BLTR415
21'	8"	4-5" Casters	31 Lbs	BLTR321	BLTR421
27'	8"	6-5" Casters	44 Lbs	BLTR327	BLTR427
15'	6"	4-5" Casters	31 Lbs	BLTRLR315	BLTRLR415
21'	6"	4-5" Casters	31 Lbs	BLTRLR321	BLTRLR421
27'	6"	6-5" Casters	44 Lbs	BLTRLR327	BLTRLR427

Put Safety First! Easy to Move Tip & Roll



1. Park It! *Easy To Use!*



2. Unfold It!

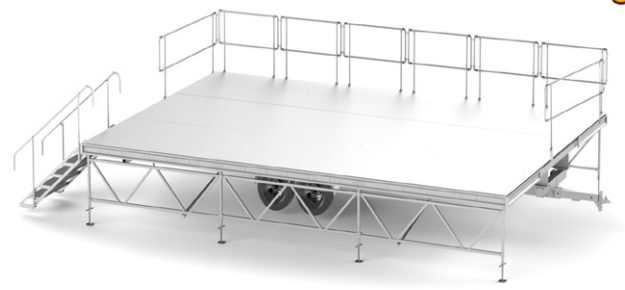


3. Use It!



Stretch Budget
1 unit
Multiple Locations

Saves Time and Money



Speedy Stage

	Folded	Unfolded	Tow	Weight
SPSTG3020	30'L x 8.5'W x 11.6' H	30'L x 20'W x 48"H	34'L x 8.5'W x 11.6'H	9,850 Lbs

Check out the Video Online



Highway Towable Elevated Folding Stage

All-weather construction of Galvanized Steel and Aluminum

Standard Features:

- 12 Volt Hydraulic Operating System
- Push Button Folding
- Adjustable Stabilizing Jacks
- Telescopic Tongue
- LED Lights
- Electric Brakes
- Stationary Safety Rails (Multiple Configurations)
- Aluminum Deck
- Tandem Axle
- Optional Spare Tire
- Stairs (1 Set of Stairs) (Additional sets available)

Great for:
Outdoor Graduations, Homecoming Parades, Political Events, Music Concerts and much more!

Call for Price Quote Today!
1-800-553-2476

1. Park It!



2. Unfold It!

Easy Push-Button Operation!



3. Use It!

Optional Features:

- Full width footboards & risers
- 48" Aisle (reduces capacity by 27 seats)
- Sturdy aisle handrail
- Push button operated hydraulic jacks
- Goose-neck towing hitch (folds flat)
- Storage Basket

Seating for 300 People In Less Than 10 Minutes!

Standard Features:

- Vertical baluster bar guard rails (deters climbing) Pat. 404-141
- Hot-dip galvanized guard rail
- Heavy I-Beam main frame
- Aluminum seats & walk boards
- Stop, turn & clearance lights
- Electric brakes all four wheels
- 12-Volt hydraulic folding mechanism (self-contained battery & charger)
- Full 24" row spacing for today's taller people
- Telescoping tongue is removable (EZ slide tongue roller system)
- Semi-trailer type stabilizing jacks (high sway-load capacity-35,000 Lbs static load each)

- Lease to Own Options Available
- Share with City, School or Fair
- Rent to Generate Revenue

Video Online:



Call for Price Quotes Today!
1-800-553-2476

Speedy Bleacher - Highway Towable Bleacher

Call for Price Quotes Today!
1-800-553-2476



**Create A Stadium Anywhere
You Need The Seating!**



**Seating,
Where YOU need it,
When YOU need it,
FAST!**

Great for all of the following:

- Parades
- Baseball/Softball
- Football/Rugby
- Concerts
- Track/Cross Country
- Assemblies
- Graduation
- Tennis
- Soccer
- Tournaments
- Fairs/ Festivals
- Celebrations
- Speakers
- Training
- Arenas
- Golf
- Bands or on the sidelines.

Speedy Bleacher - Highway Towable Bleacher

**Best in
The
Market**



**Highway
Towable!**

Invest Thoughtfully

	Seating Capacity	Row Length	Static Jack Load Cap.	Width	Length	Tow Width	Tow Length	Tow Height	Total Weight	Tongue Weight
7 Row	108	27'	30,000#	13'6"	29'3"	102"	32'11"	8'11"	4,100 Lbs	Approx. 550Lbs
SPBL2707										

**Speedy Bleachers can be Parked,
Set Up & Ready to use
In just 10 Minutes**

	Seating Capacity	Row Length	Static Jack Load Cap.	Width	Length	Tow Width	Tow Length	Tow Height	Total Weight	Tongue Weight
9 Row	180	30'	140,000#	17'4"	31'6"	102"	35'1"	10'9"	8,830 - 9,480 Lbs	Approx. 1,270 Lbs
SPBL3009										
SPBL4009	234	39'	210,000#	17'4"	41'6"	102"	45'1"	10'9"	9,400 - 11,400 Lbs	Approx. 1,600 Lbs
SPBL4509	270	45'	210,000#	17'4"	46'6"	102"	50'1"	10'9"	11,690 - 12,270 Lbs	Approx. 1,750 Lbs

	Seating Capacity	Row Length	Static Jack Load Cap.	Width	Length	Tow Width	Tow Length	Tow Height	Total Weight	Tongue Weight
10 Row	200	30'	140,000#	19'4"	31'6"	102"	35'1"	12'6"	8,730 - 9,470 Lbs	Approx. 1,175 Lbs
SPBL3010										
SPBL4010	260	39'	210,000#	19'4"	41'6"	102"	45'1"	12'6"	9,400 - 11,900 Lbs	Approx. 1,550 Lbs
SPBL4510	300	45'	210,000#	19'4"	46'6"	102"	50'1"	12'6"	12,020 - 13,170 Lbs	Approx. 1,730 Lbs

**Options to fit your needs!
CALL TODAY!
1-800-553-2476**



Semi-Trailer type stabilizing jacks, 35,000 Lbs each. 4 jacks on 30' Speedy and 6 jacks on 40' & 45' Speedy. Operate from a standing position. Pat. No. 6,499,258

All Jacks are operated from the back side of the SPEEDY BLEACHER while you are in a full-upright standing position. (No stooping or squatting to operate numerous small jacks.) On 9 and 10 row units.

ADA wheelchair spaces! Includes required companion seats.

**Adding an aisle
10 row deducts 27 seats
9 row deducts 24**

This is a Folding Goose Neck Hitch that can be added to a Speedy Bleacher that you already own. It's a fairly easy bolt on application that will make towing your Speedy Bleacher long distances easy, even in windy conditions. It also makes getting your Speedy Bleacher into tight positions easy. Best of all once you have your bleacher setup the hitch folds flat to get it out of the way of your patrons.

A Central Aisle & Sturdy Hand Rail are Good Safety Options. Come standard on 7 and 8 row units.