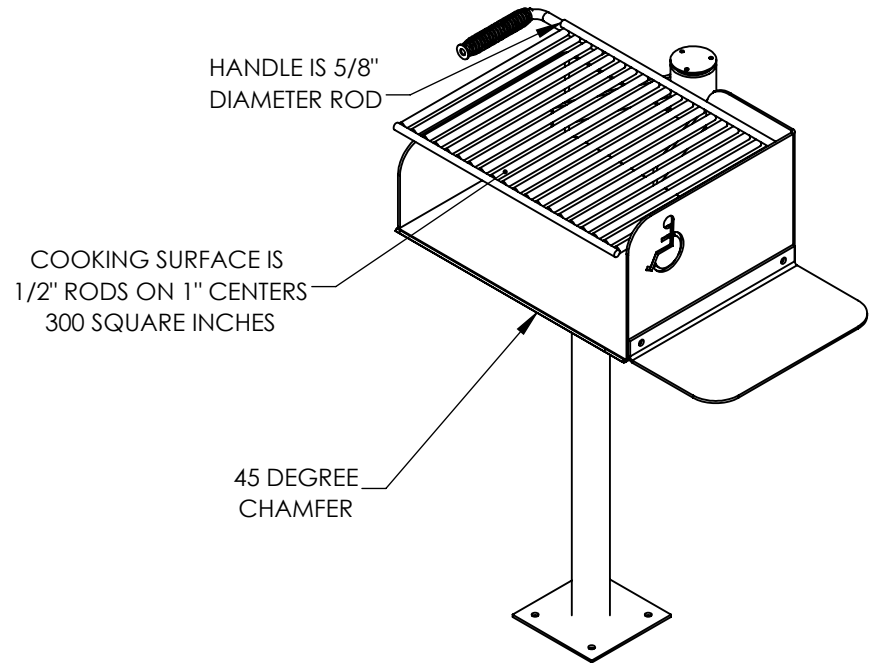
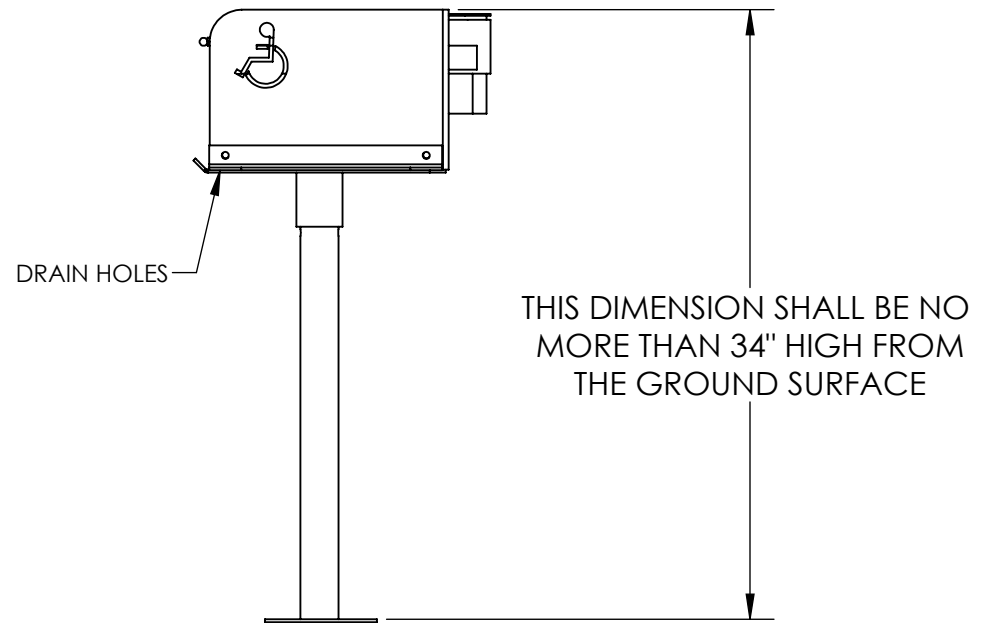
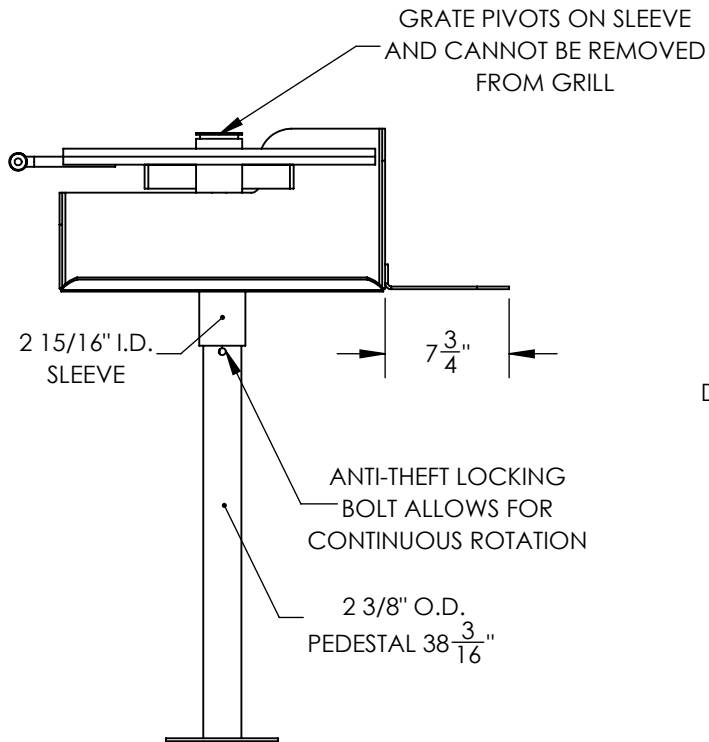


Rotation
COOKING GRATE PIVOTS AWAY
FROM THE GRILL BODY.



COOKING SURFACE IS
1/2" RODS ON 1" CENTERS
300 SQUARE INCHES

45 DEGREE
CHAMFER



PAINT FINISH IS HIGH HEAT RESISTANT NON-TOXIC ENAMEL

CONFIDENTIAL DRAWING. INFORMATION IS NOT TO BE COPIED OR DISCLOSED TO OTHERS WITHOUT CONSENT OF KAY PARK. SPECIFICATIONS SUBJECT TO CHANGE WITHOUT NOTICE.

MODEL NO: SB16ADASMUS

DESC: SWIVEL GRILL BOX FOR ADA COMPLIANCE W/UTILITY SHELF

DATE: 12/18/2019



Kay Park Rec.

SHEET 1 OF 1