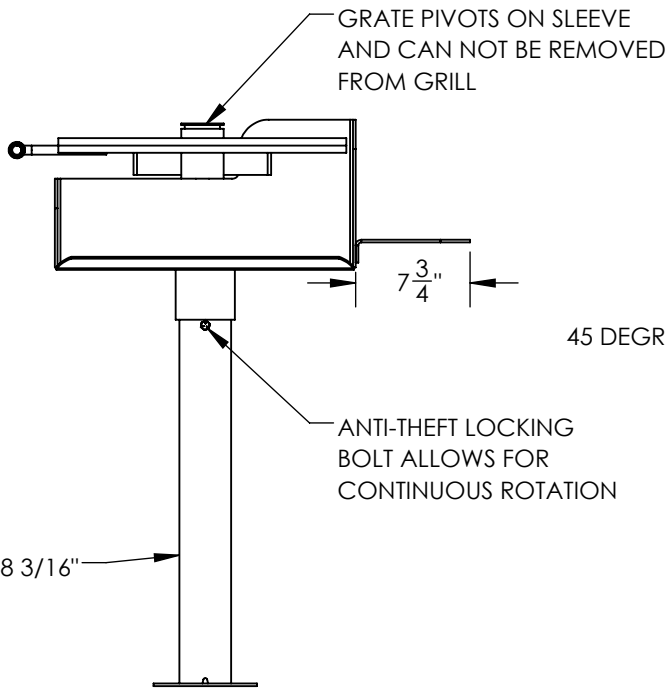
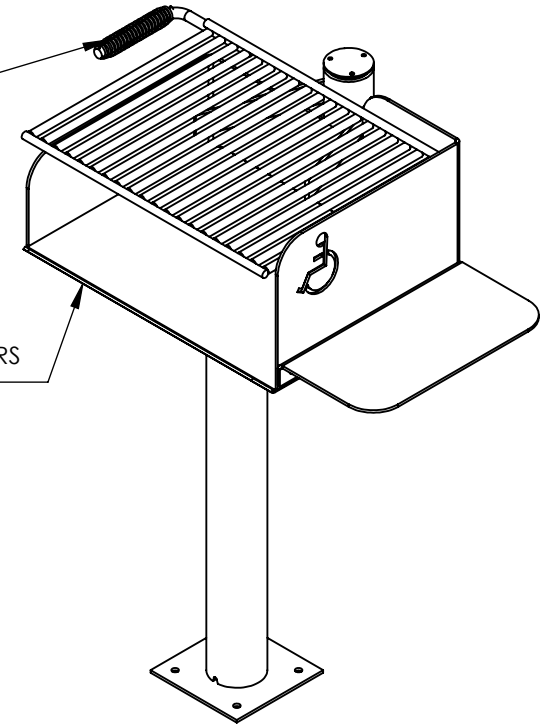


ROTATION COOKING GRATE PIVOTS AWAY FROM THE GRILL BODY

HANNDLE IS 5/8' DIAMETER ROD

COOKING SURFACE IS 1/2" RODS ON 1" CENTERS 300 SQ INCHES



45 DEGREE CHAMFER

THIS DIMENSION SHALL BE NO MORE THAN 34" HIGH FROM THE GROUND SURFACE

**PAINTFINISH IS HIGH HEAT RESISTANT NON-TOXIC ENAMEL**

CONFIDENTIAL DRAWING. INFORMATION IS NOT TO BE COPIED OR DISCLOSED TO OTHERS WITHOUT CONSENT OF KAY PARK. SPECIFICATIONS SUBJECT TO CHANGE WITHOUT NOTICE.

MODEL NO: SB16ADA3.5SM

DESC: SB16 3.5 ADA SM

NOT CKD

DATE: 3/24/2022



**Kay Park Rec.**

SHEET 1 OF 1