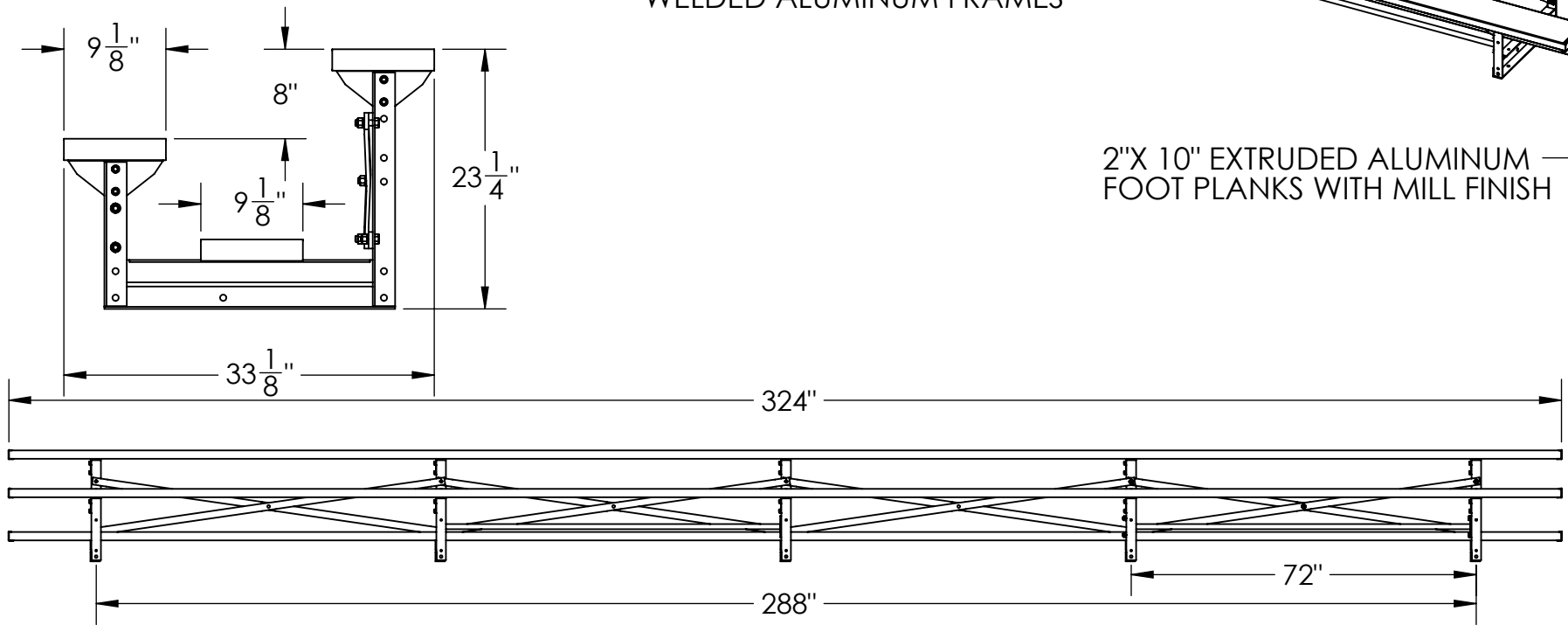


2"X 10" EXTRUDED ALUMINUM SEAT PLANKS WITH ANODIZED FINISH

WELDED ALUMINUM FRAMES

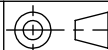
2"X 10" EXTRUDED ALUMINUM FOOT PLANKS WITH MILL FINISH



APRX. WGT. 190 LBS.

GENERAL NOTES

DIMENSIONS ARE IN INCHES
TOLERANCES: LINEAR: ± 1/16
ANGULAR: ± 1°



SHEET SIZE
A

SCALE
1:35

REV



Kay Park Rec.

CONFIDENTIAL DRAWING.
INFORMATION IS NOT TO BE COPIED OR
DISCLOSED TO OTHERS WITHOUT
CONSENT OF KAY INDUSTRIES.
SPECIFICATIONS SUBJECT TO CHANGE
WITHOUT NOTICE.

DRAWN BY

JNB

9/25/2017

DESC:

2 ROW 27" BLEACER

APPROVED

MATL:

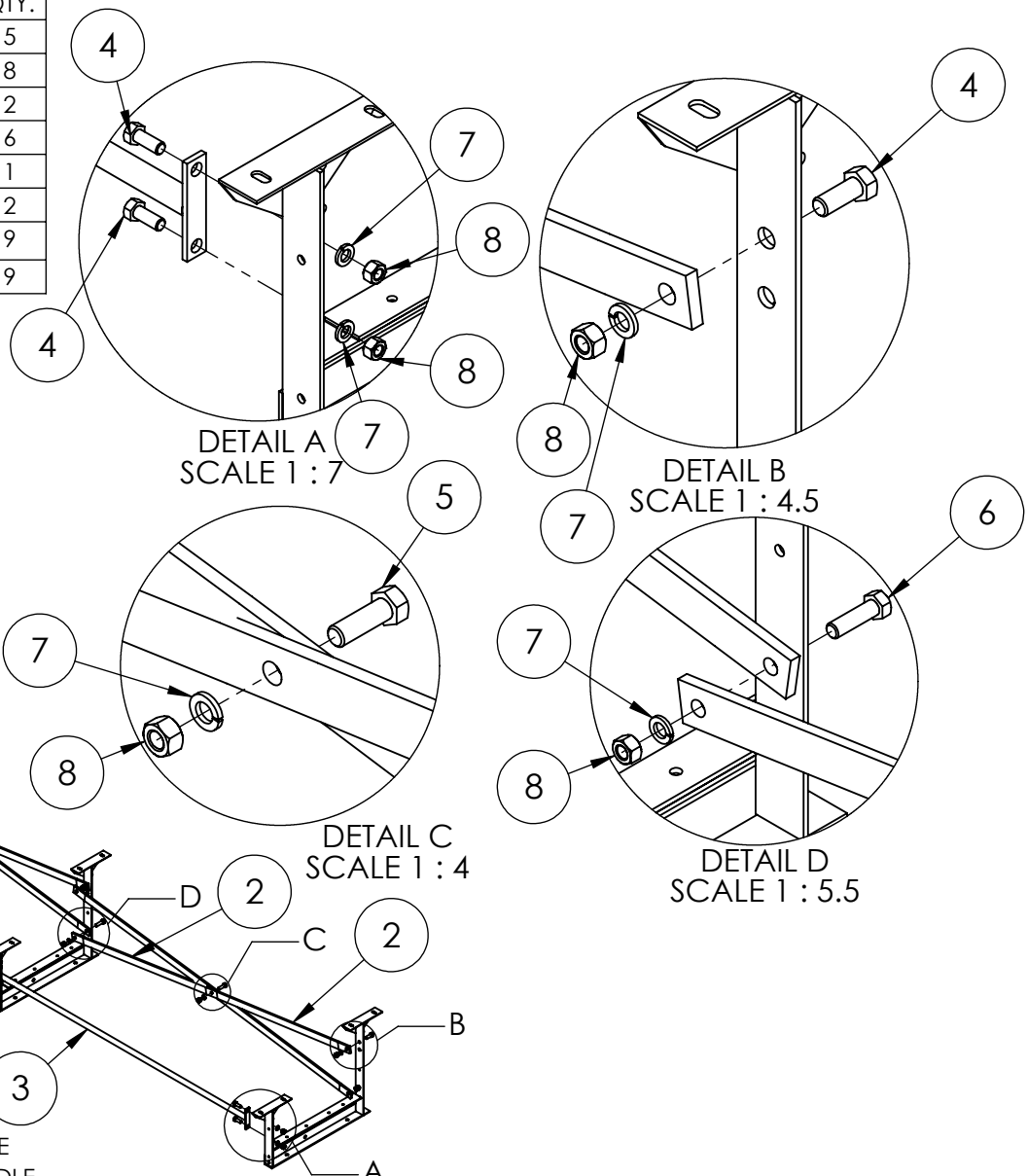
LAST SAVED

johnb

9/25/2017

PART NO: BLA2A27

ITEM NO.	PART NUMBER	DESCRIPTION	QTY.
1	BLA2-SA1	2 ROW ALUMINUM SEAT FRAME	5
2	IBLA-7425	X BRACE 74 1/4"	8
3	IBLA-SA2	1 ST ROW GALV BRACE ASSEMBLY	2
4	HBOLT 0.5000-13x1.25x1.25-N	HEX BOLT 1/2"-13x 1 1/4"	6
5	HBOLT 0.5000-13x1.5x1.25-N	HEX BOLT 1/2"-13x 1 1/2"	1
6	HBOLT 0.5000-13x1.75x1.25-N	HEX BOLT 1/2"-13x 1 3/4"	2
7	Regular LW 0.5	REG LOCKWASHER 1/2"	9
8	HNUT 0.5000-13-D-N	HEX NUT 1/2"-13	9



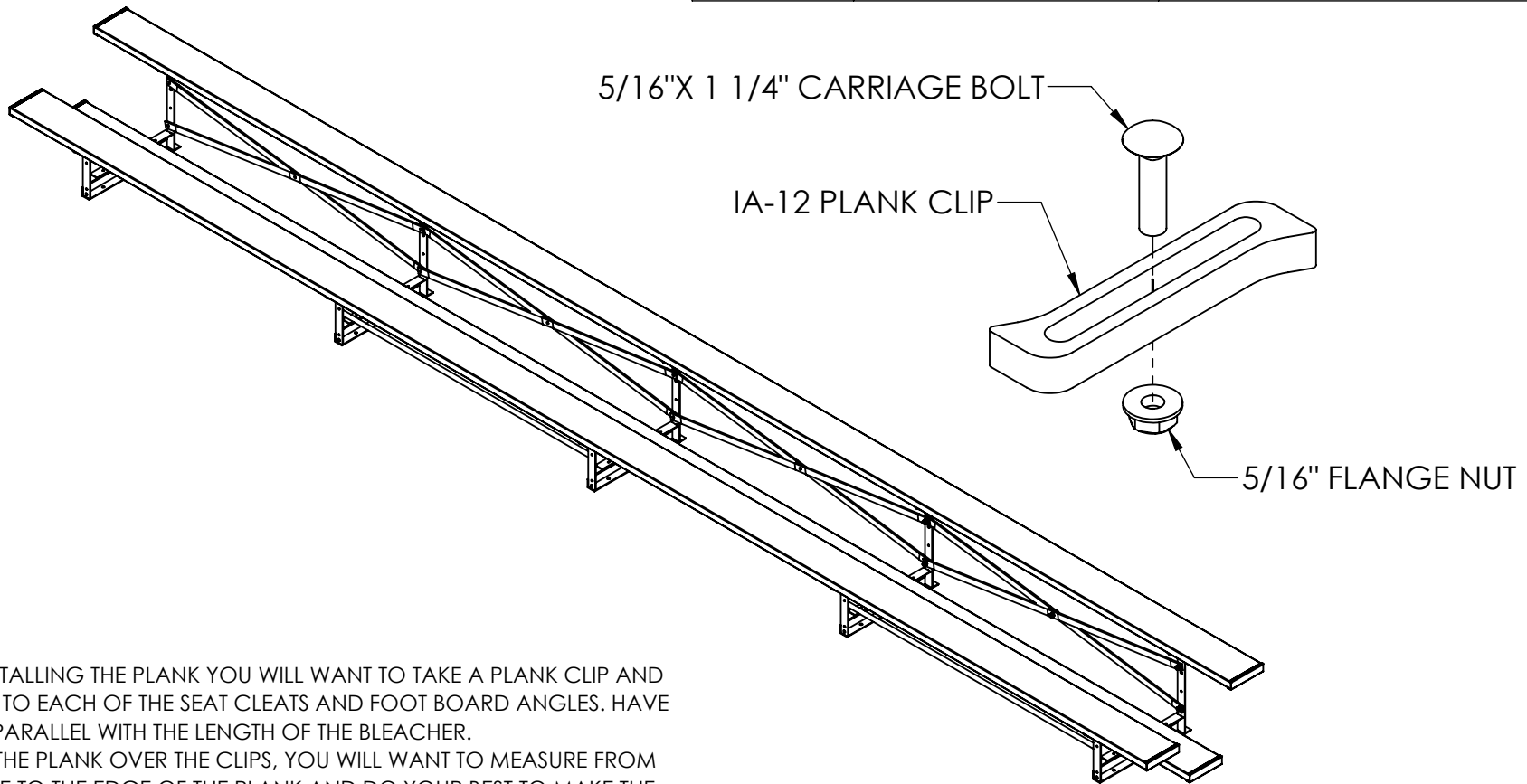
NOTES:

(ALL BOLTS ARE FOLLOWED BY A LOCK WASHER AND NUT)

1. WHEN INSTALLING X BRACES USE 1/2"-13X 1 1/4" BOLTS WHERE ONE X BRACE MEETS THE FRAME. USE A 1/2"-13X 1 1/2" BOLT WHERE THEY MEET IN THE MIDDLE, AND USE A 1/2"-13X 1 3/4" BOLT WHERE THEY MEET EACH OTHER AND A FRAME.
2. INSTALL TUBE BRACES AS SHOWN USING 1/2"-13X 1 1/4" BOLT

GENERAL NOTES	DIMENSIONS ARE IN INCHES TOLERANCES: LINEAR: ± 1/16 ANGULAR: ± 1°		SHEET SIZE A	SCALE 1:35	REV		Kay Park Rec.
	CONFIDENTIAL DRAWING. INFORMATION IS NOT TO BE COPIED OR DISCLOSED TO OTHERS WITHOUT CONSENT OF KAY INDUSTRIES. SPECIFICATIONS SUBJECT TO CHANGE WITHOUT NOTICE.		DRAWN BY	JNB	9/25/2017	DESC:	2 ROW 27' BLEACER
			APPROVED			MATL:	
			LAST SAVED	johnb	9/25/2017	PART NO: BLA2A27	

ITEM NO.	PART NUMBER	DESCRIPTION	QTY.
1	BLA2-SA1	2 ROW ALUMINUM SEAT FRAME	5
2	IBLA-7425	X BRACE 74 1/4"	8
3	IBLA-SA2	1 ST ROW GALV BRACE ASSEMBLY	2
4	271A-7	2"x 10" SEAT PLANK 3/4" ANODIZED	3
5	HBOLT 0.5000-13x1.25x1.25-N	HEX BOLT 1/2"-13x 1 1/4"	6
6	HBOLT 0.5000-13x1.5x1.25-N	HEX BOLT 1/2"-13x 1 1/2"	1
7	HBOLT 0.5000-13x1.75x1.25-N	HEX BOLT 1/2"-13x 1 3/4"	2
8	Regular LW 0.5	REG LOCKWASHER 1/2"	9
9	HNUT 0.5000-13-D-N	HEX NUT 1/2"-13	9

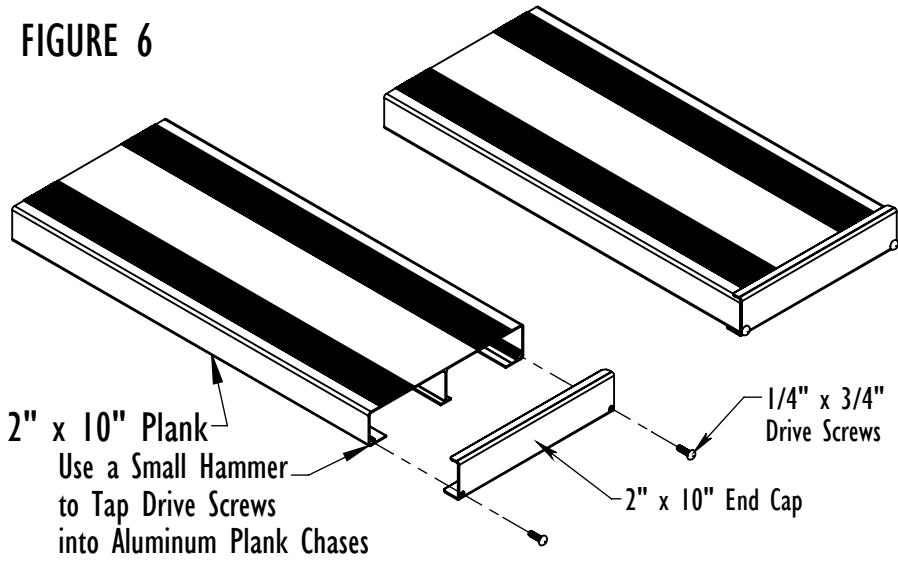


NOTES:

- WHEN INSTALLING THE PLANK YOU WILL WANT TO TAKE A PLANK CLIP AND MOUNT IT TO EACH OF THE SEAT CLEATS AND FOOT BOARD ANGLES. HAVE THE CLIP PARALLEL WITH THE LENGTH OF THE BLEACHER.
- THEN SET THE PLANK OVER THE CLIPS, YOU WILL WANT TO MEASURE FROM THE FRAME TO THE EDGE OF THE PLANK AND DO YOUR BEST TO MAKE THE OVER HANG THE SAME ON ALL THE PLANKS THEN TURN THE CLIPS SO THEY GO INSIDE THE CHANNEL AND TIGHTEN THEM DOWN AS YOU GO.

GENERAL NOTES	DIMENSIONS ARE IN INCHES TOLERANCES: LINEAR: ± 1/16 ANGULAR: ± 1°		SHEET SIZE A	SCALE 1:35	REV		Kay Park Rec.
	CONFIDENTIAL DRAWING. INFORMATION IS NOT TO BE COPIED OR DISCLOSED TO OTHERS WITHOUT CONSENT OF KAY INDUSTRIES. SPECIFICATIONS SUBJECT TO CHANGE WITHOUT NOTICE.		DRAWN BY JNB	9/25/2017	DESC:	2 ROW 27' BLEACER	
			APPROVED		MATL:		
			LAST SAVED	johnb	9/25/2017	PART NO: BLA2A27	

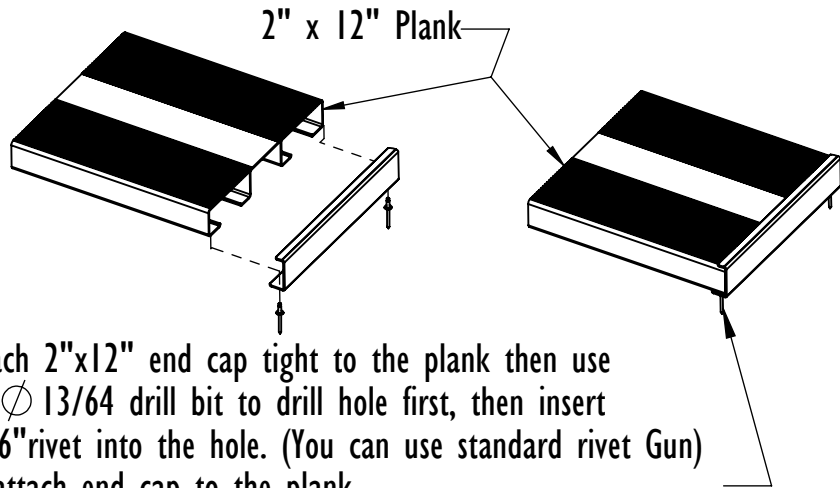
FIGURE 6



2" x 10" Plank
Use a Small Hammer to Tap Drive Screws into Aluminum Plank Chases

1/4" x 3/4" Drive Screws

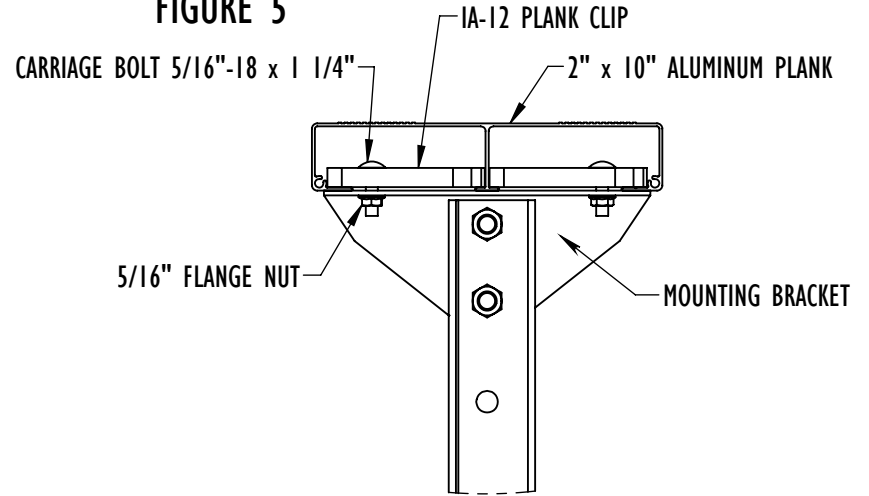
2" x 10" End Cap



2" x 12" Plank

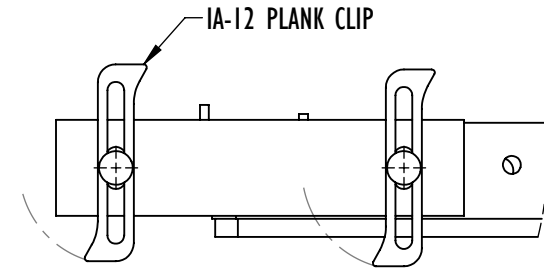
Attach 2"x12" end cap tight to the plank then use the ϕ 13/64 drill bit to drill hole first, then insert 3/16" rivet into the hole. (You can use standard rivet Gun) to attach end cap to the plank.

FIGURE 5



5/16" FLANGE NUT

MOUNTING BRACKET



IT IS ESSENTIAL THAT THE PLANK CLIPS BE PLACED IN THIS ORIENTATION, OTHERWISE WHEN YOU TIGHTEN THE NUT THE CLIP WILL TURN AWAY FROM THE PLANK

CONFIDENTIAL DRAWING AND INFORMATION IS NOT TO BE COPIED OR DISCLOSED TO OTHERS WITHOUT THE CONSENT OF KAY PARK. SPECIFICATIONS ARE SUBJECT TO CHANGE WITHOUT NOTICE.

GENERAL NOTES:	UNLESS OTHERWISE SPECIFIED:	NAME	DATE	Kay Park Rec		
	DIMENSIONS ARE IN INCHES TOLERANCES: FRACTIONAL \pm 1/32 BEND \pm 1/2" THREE PLACE DECIMAL \pm .005	DRAWN	DAT	4/9/2012	TITLE:	
	DO NOT SCALE DRAWING	CHECKED			DESC.	
	MATERIAL	ENG APPR.			DESC. S:\CADDRWGS\Solidworks\Bleachers\Assembly Instruction Drawings\	
		MFG APPR.			LAST SAVED	DESC.
		COMMENTS:			SIZE	PART NO.
					A	FIGURE 5 and FIGURE 6
					DATE	WT.
						SCALE
	Sheet 1 of 1					REV