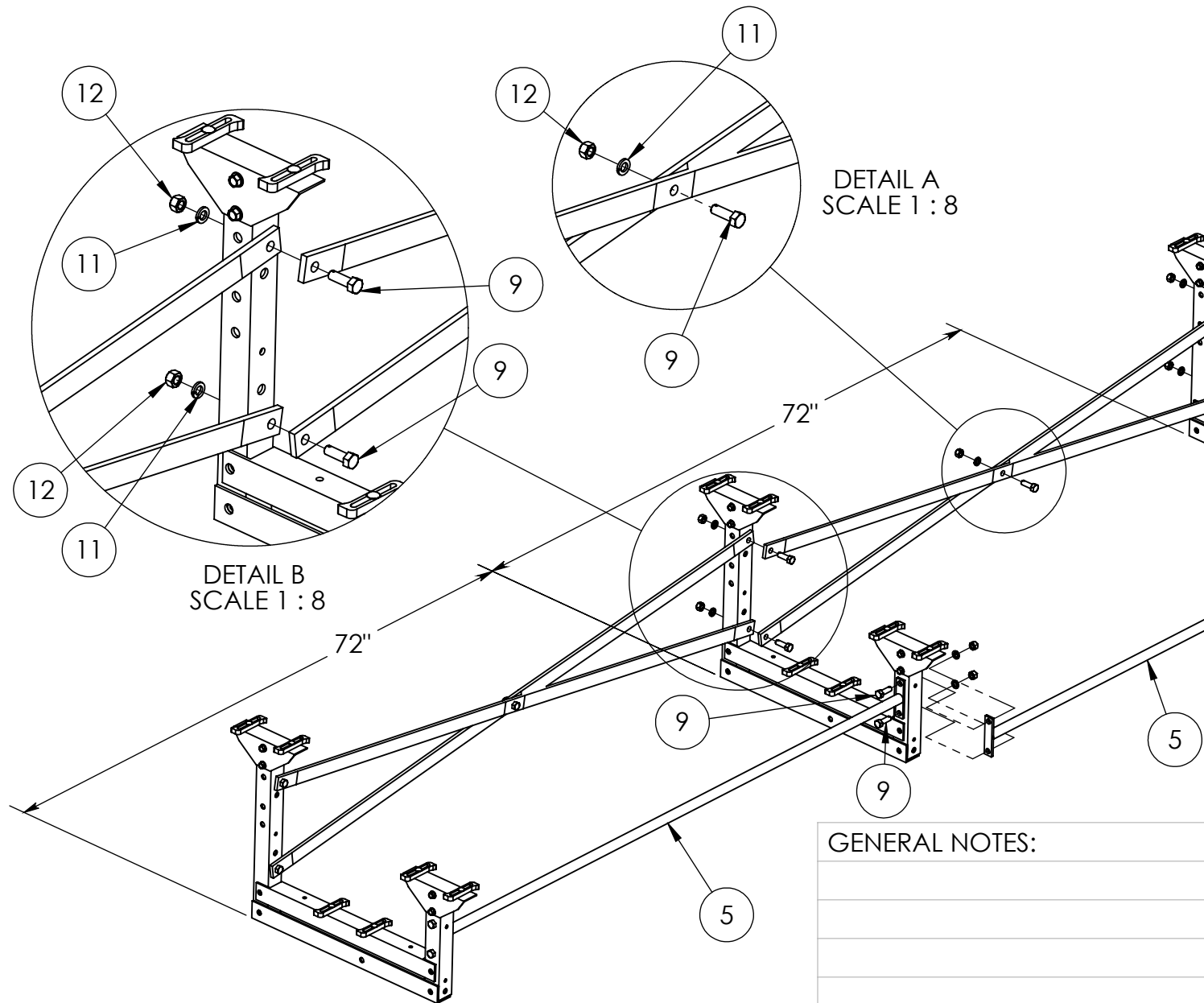
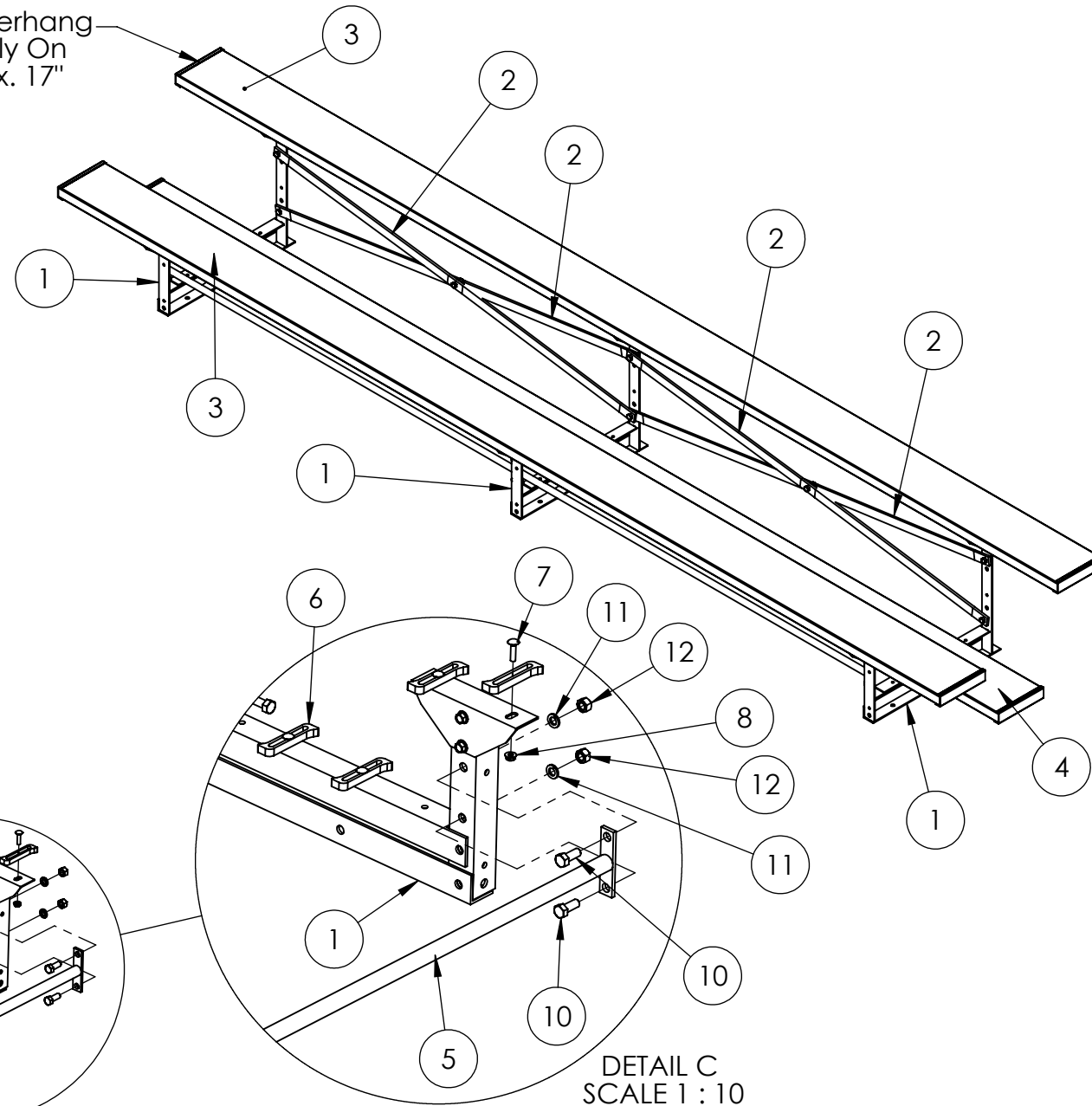


ITEM NO.	PART NUMBER	DESCRIPTION	Default/QTY.
1	BLA2-SA1	2 ROW ALUMINUM SEAT FRAME	3
2	IBLA-7425	X BRACE 74 1/4"	4
3	15IA-7	2"x 10" SEAT PLANK 180" ANODIZED	2
4	15IBL-7	2"x 10" FOOT PLANK 180" MILL FINISH	1
5	IBLA-SA2	1ST ROW GALV BRACE ASSY	2
6	IA-12	2"x 10" PLANK CLIP	18
7	RHSNBOLT 0.3125-18x1.25x1.25-N	RHSN CARRIAGE BOLT 5/16-18 x 1 1/4"	18
8	NUT-5/16-18 Flanged Nut	5/16"-18 FLANGED HEX NUT	18
9	HBOLT 0.5000-13x1.5x1.5-N	HEX HEAD BOLT 1/2"-13x 1 1/2"	4
10	HBOLT 0.5000-13x1.25x1.25-N	HEX BOLT 1/2"-13x 1 1/4"	8
11	Regular LW 0.5	REG LOCKWASHER 1/2"	14
12	HNUT 0.5000-13-D-N	1/2"-13 HEX LOCKNUT	14
13	HBOLT 0.5000-13x1.75x1.25-N	HEX BOLT 1/2"-13x 1 3/4"	2

Planks Should Overhang the Frames Equally On Each End, Approx. 17"



1. Aluminum Seat Planks (Item No.3) Will Not Leave a Black Mark When Rubbed with Your Fingers. These Planks are Annodized.
2. Foot Plank is Mill Finish Aluminum and Will Leave a Black Mark when Rubbed.
3. Finger Tighten All nuts and Bolts Holding the X Braces and Tube Braces, Then Square and Even the Frames Before Tightening Down Completely. Assembling on an Even Surface Helps Out Greatly.

CONFIDENTIAL DRAWING AND INFORMATION IS NOT TO BE COPIED OR DISCLOSED TO OTHERS WITHOUT THE CONSENT OF KAY PARK. SPECIFICATIONS ARE SUBJECT TO CHANGE WITHOUT NOTICE.

GENERAL NOTES:

UNLESS OTHERWISE SPECIFIED:	NAME	DATE
DIMENSIONS ARE IN INCHES	DRAWN	DAT
TOLERANCES:	CHECKED	1/20/2015
FRACTIONAL ± 1/32	ENG APPR.	
BEND ± 1/2°	MFG APPR.	
THREE PLACE DECIMAL ± .005	Last Saved	10/8/2018 15:32:27
Do Not Scale Drawing	COMMENTS:	
MATERIAL		

TITLE:		Kay Park Rec	
DESC.		2 ROW 15' ALUMINUM BLEACHER	
S:\CADDRWGS\Solidworks\Bleachers\BLA\BLA Assemblies\Bleachers (17in)\		SIZE	PART NO.
		B	BLA2A15
		REV	

SHEET 1 OF 1