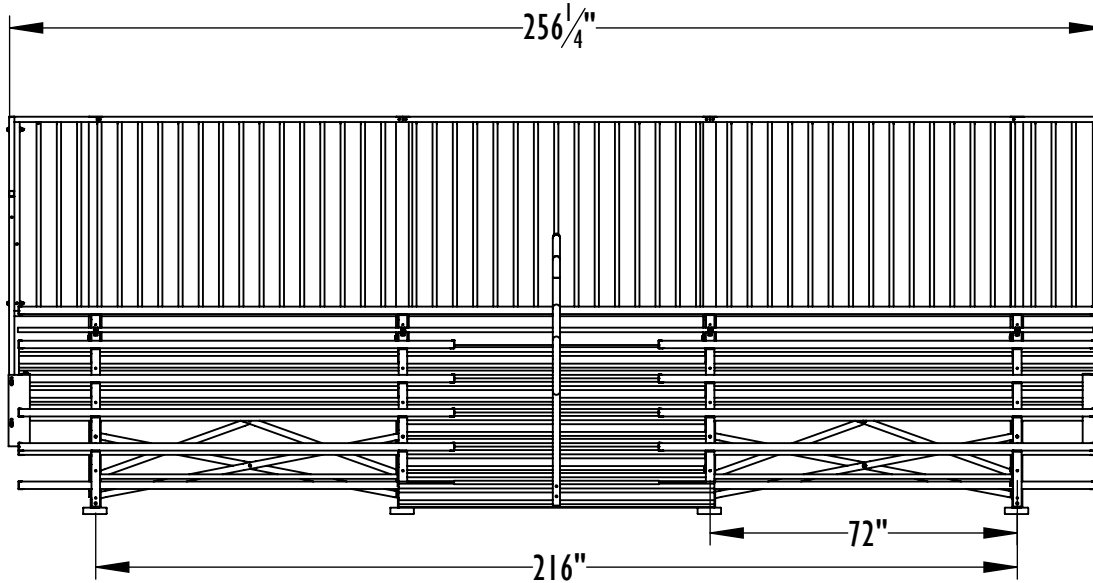
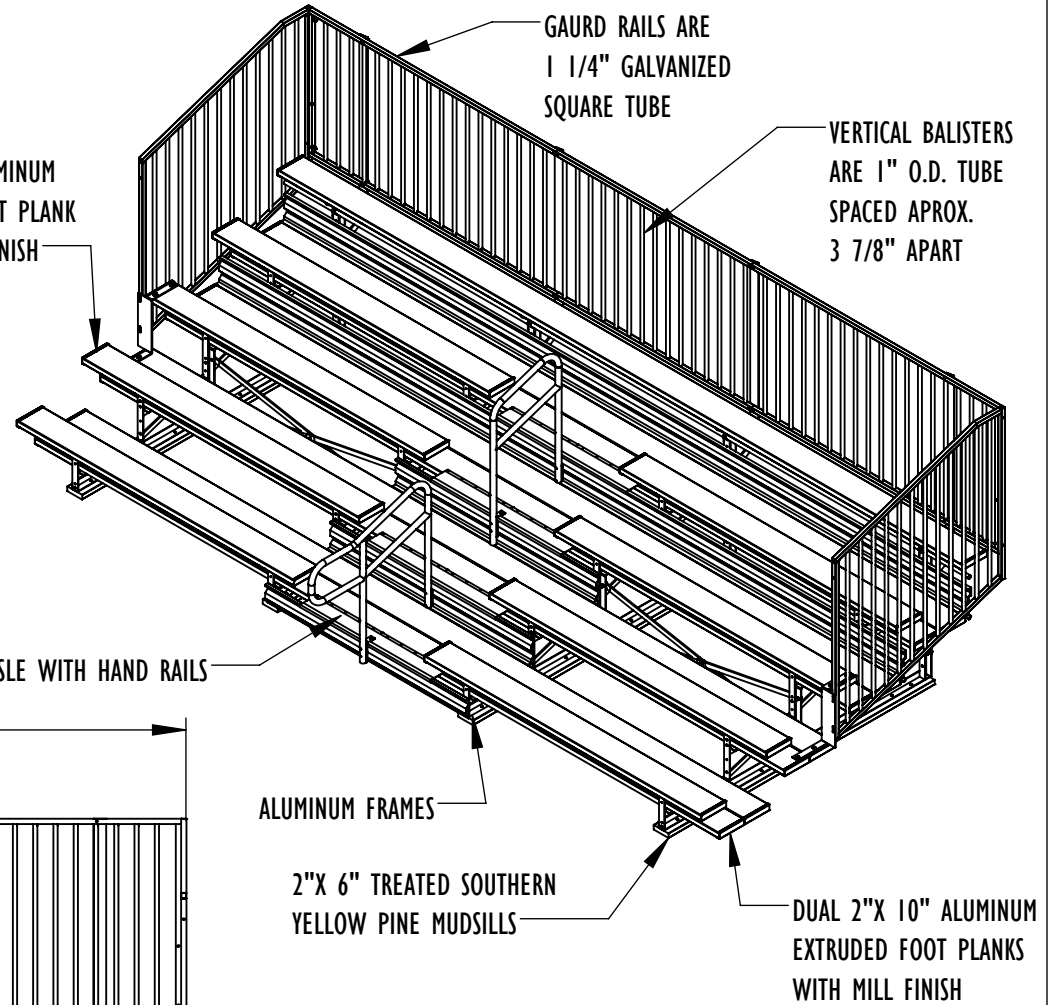


2"X 10" ALUMINUM
EXTRUDED SEAT PLANK
WITH MILL FINISH



48" AISLE WITH HAND RAILS



GAURD RAILS ARE
1 1/4" GALVANIZED
SQUARE TUBE

VERTICAL BALISTERS
ARE 1" O.D. TUBE
SPACED APROX.
3 7/8" APART

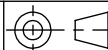
ALUMINUM FRAMES

2"X 6" TREATED SOUTHERN
YELLOW PINE MUDSILLS

DUAL 2"X 10" ALUMINUM
EXTRUDED FOOT PLANKS
WITH MILL FINISH

GENERAL NOTES

DIMENSIONS ARE IN INCHES
TOLERANCES: LINEAR: ± 1/16
ANGULAR: ± 1°



SHEET SIZE
A

SCALE
1:45

REV



Kay Park Rec.

CONFIDENTIAL DRAWING.
INFORMATION IS NOT TO BE COPIED OR
DISCLOSED TO OTHERS WITHOUT
CONSENT OF KAY INDUSTRIES.
SPECIFICATIONS SUBJECT TO CHANGE
WITHOUT NOTICE.

DRAWN BY

JNB

2/20/2013

DESC:

5 ROW ALUM. BLEACHER W/48" AISLE

APPROVED

MATL:

LAST SAVED

johnb

4/3/2017

PART NO: BLA5A21V4F448AHR