

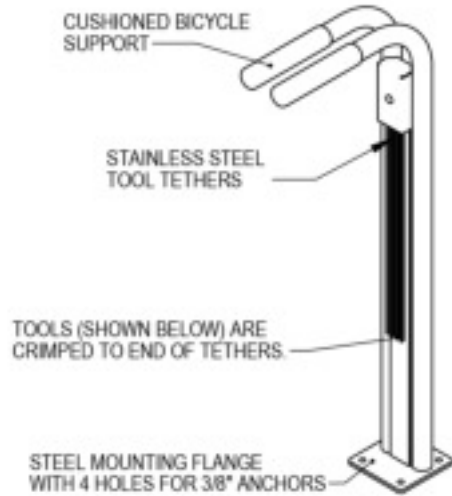
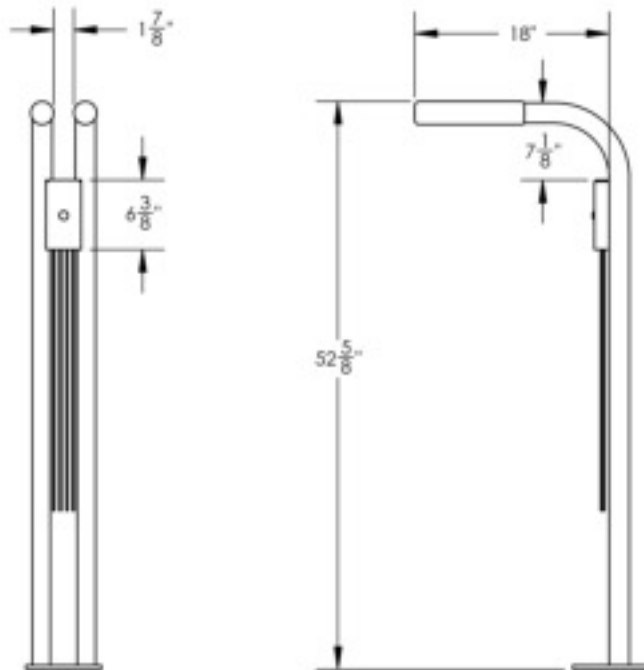


MADRAX DIVISION

GRABER MANUFACTURING, INC.
1080 UNIEK DRIVE
WAUNAKEE, WI 53597

P(800) 448-7931, P(608) 849-1080, F(608) 849-1081
WWW.MADRAX.COM, E-MAIL: SALES@MADRAX.COM

Model: MBRSCSM
Weight: 80 Lbs
Material: Coated Steel



PRODUCT: BRS-NP
DESCRIPTION: RepairSTAN™ TM, BICYCLE REPAIR STAND,
WITH REPAIR TOOLS

DATE: 10-5-16
ENG: SMC

CONFIDENTIAL DRAWING AND INFORMATION IS NOT TO BE COPIED OR DISCLOSED
TO OTHERS WITHOUT THE CONSENT OF GRABER MANUFACTURING, INC.
SPECIFICATIONS ARE SUBJECT TO CHANGE WITHOUT NOTICE.

©2016 GRABER MANUFACTURING, INC. ALL PROPRIETARY RIGHTS RESERVED.

INCLUDED TOOL LIST:

1. PHILIPS SCREWDRIVER
2. STRAIGHT SCREWDRIVER
3. 2.5, 3, 4, 5, 6, 8MM ALLEN WRENCHES
4. HEADSET WRENCH
5. PEDAL WRENCH
6. 8, 9, 10, 11MM OPEN WRENCHES
7. TIRE LEVER (1)
8. ADJUSTABLE WRENCH

NOTES:

1. INSTALL BIKE RACKS ACCORDING TO MANUFACTURER'S SPECIFICATIONS.
2. CONSULTANT TO SELECT COLOR (FINISH), SEE MANUFACTURER'S SPECIFICATIONS.
3. SEE SITE PLAN FOR LOCATION OR CONSULT OWNER.



Kay Park Recreation

Making People Places, People Friendly Since 1954!

Email us: sales@kaypark.com or Call us: (800)553-2476

1301 Pine St. Janesville, IA 50647