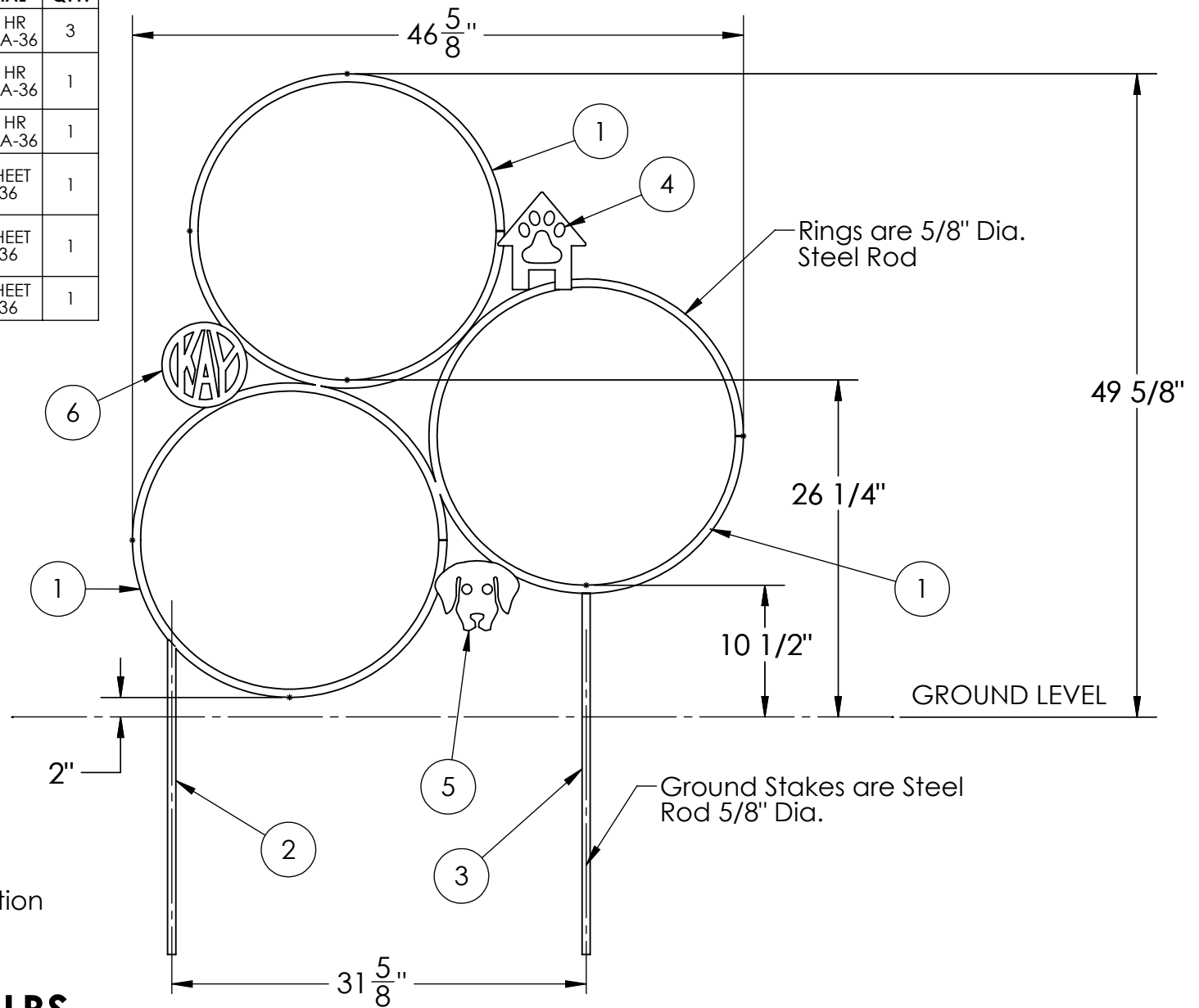


NO.	PART NUMBER	DESCRIPTION	MATERIAL	QTY.
1	23DPH-910	DOG JUMP HOOP	5/8" DIA HR ROUND A-36	3
2	24DPH-909	HOOP GROUND STAKE 24"	5/8" DIA HR ROUND A-36	1
3	28DPH-909	DOG HOOP STAKE 22 9/16"	5/8" DIA HR ROUND A-36	1
4	IDP-LOGOH	DOG HOUSE PAW PRINT LOGO PLATE	7 GA. SHEET STEEL A-36	1
5	IDP-LOGOD	LASER CUT DOG FACE LOGO	7 GA. SHEET STEEL A-36	1
6	IDP-LOGOK	KAY DISC LOGO	7 GA. SHEET STEEL A-36	1



Finish of 3 Hoop Ring is Powder Coated Per Customer Color Selection Std. Color Is Green

UNIT WGT: 27.6 LBS.

GENERAL NOTES

DIMENSIONS ARE IN INCHES
TOLERANCES: LINEAR: $\pm 1/16$
ANGULAR: $\pm 1^\circ$



SHEET SIZE
A

SCALE
1:16

REV



K Industries, Inc.

CONFIDENTIAL DRAWING.
INFORMATION IS NOT TO BE COPIED OR
DISCLOSED TO OTHERS WITHOUT
CONSENT OF KAY INDUSTRIES.
SPECIFICATIONS SUBJECT TO CHANGE
WITHOUT NOTICE.

DRAWN BY

DAT

8/8/2017

DESC:

THREE HOOP DOG JUMP

APPROVED

MATL:

LAST SAVED

davet

9/22/2017

PART NO: K9P3H