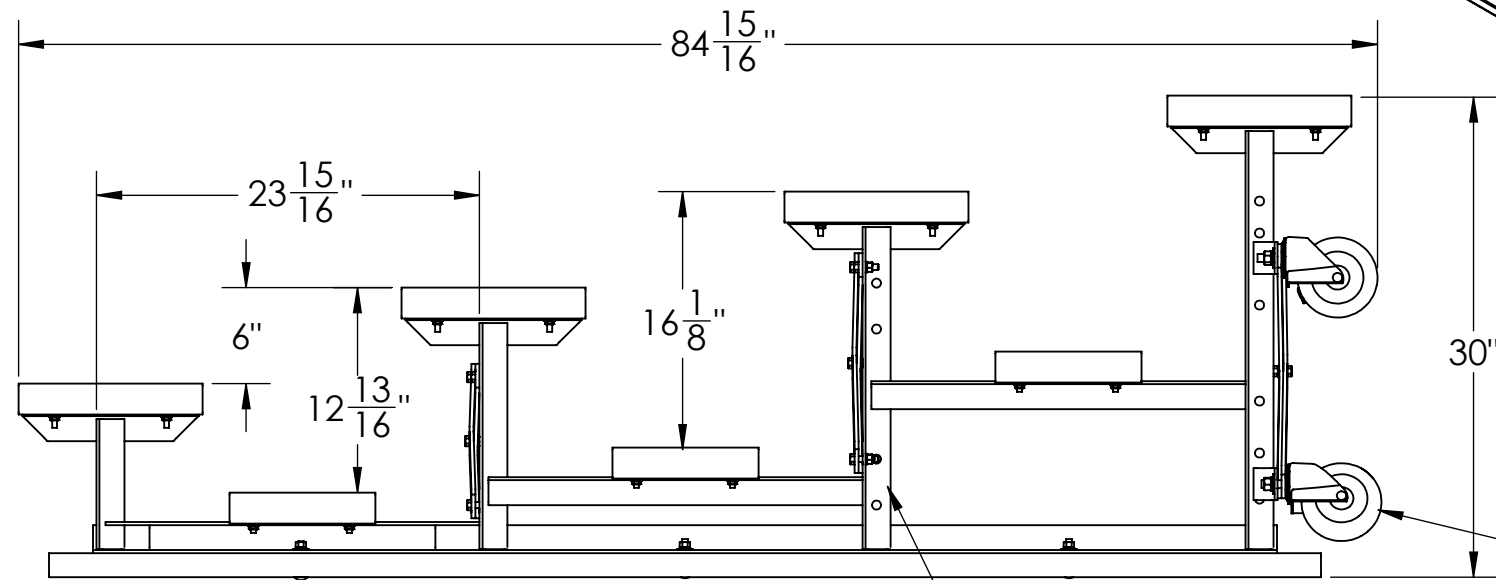


Bleacher Parts are Fastened with 1/23"-13x 1 1/4" Hex Head Bolts, Lock Washers, and Nuts.
 All Seat Frames are Welded.
 Plank Overhang on Each side of the Bleacher is Approx. 18"

2"x 10" Foot Planks are Extruded Mill Finished Aluminum 6061-T6

Seat Planks are 2"x 12" Extruded Anodized Aluminum Planks 6061-T6

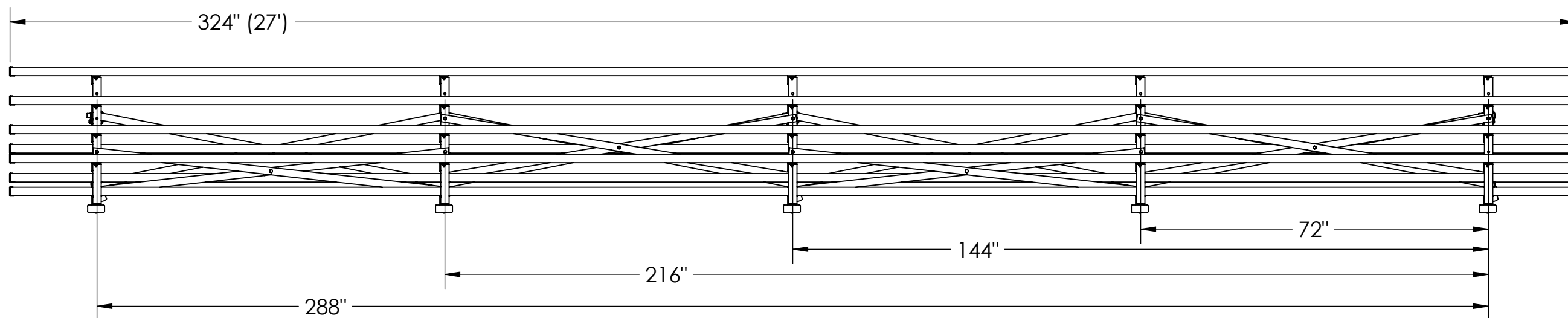
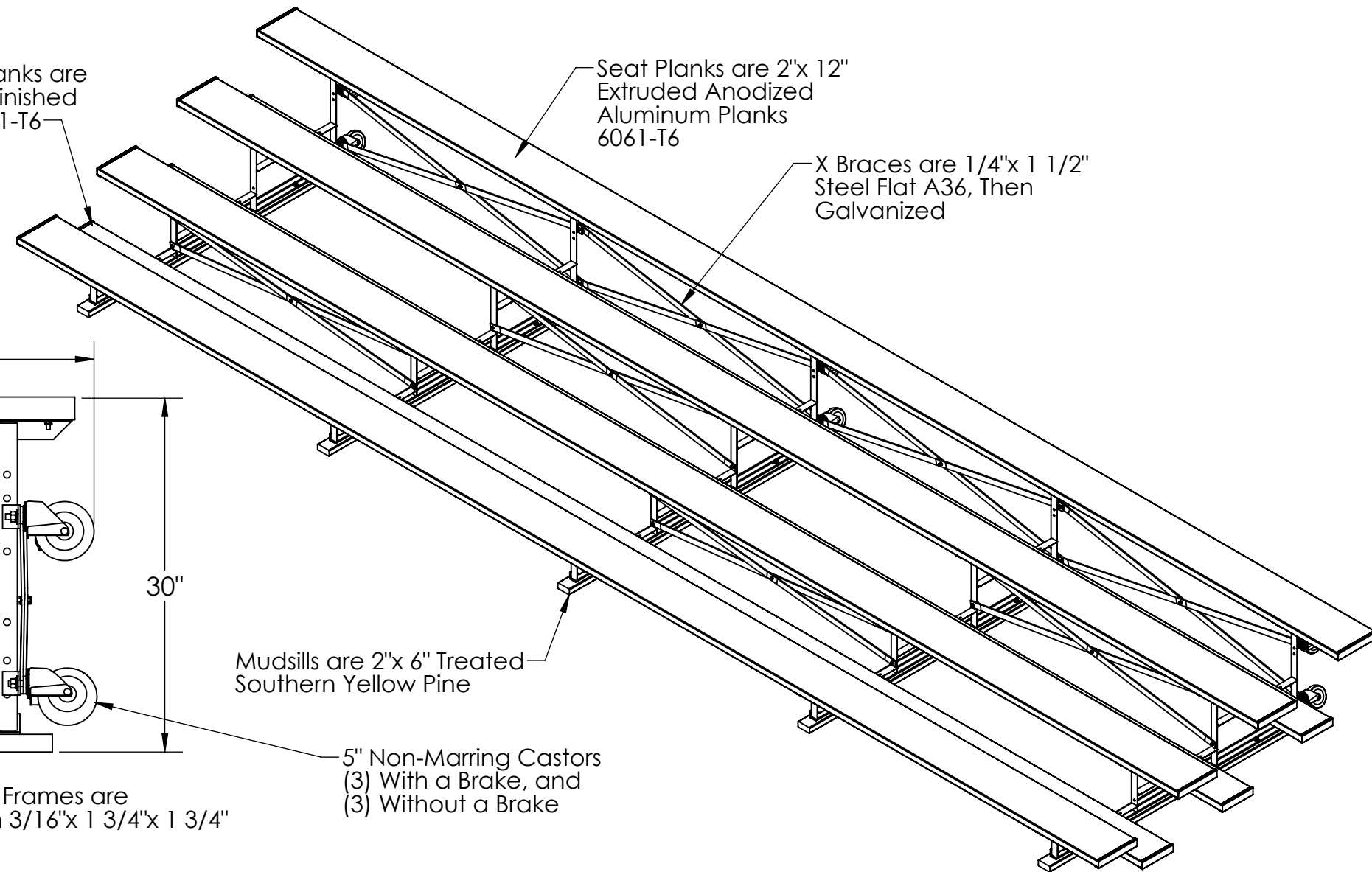
X Braces are 1/4"x 1 1/2" Steel Flat A36, Then Galvanized



Galvanized Seat Frames are Constructed with 3/16"x 1 3/4"x 1 3/4" Steel A36

Mudsills are 2"x 6" Treated Southern Yellow Pine

5" Non-Marring Castors (3) With a Brake, and (3) Without a Brake



UNIT WGT: 734 LBS.

GENERAL NOTES

DIMENSIONS ARE IN INCHES
 TOLERANCES: LINEAR: ± 1/16"
 ANGULAR: ± 1°

CONFIDENTIAL DRAWING.
 INFORMATION IS NOT TO BE COPIED OR DISCLOSED TO OTHERS WITHOUT CONSENT OF KAY INDUSTRIES.
 SPECIFICATIONS SUBJECT TO CHANGE WITHOUT NOTICE.

SHEET SIZE
B

DRAWN BY

APPROVED

LAST SAVED

SCALE
 1:48

REV

9/27/2017

9/28/2017



K Industries, Inc.

DESC:

MATL:

PART NO: BLRG4A27TR