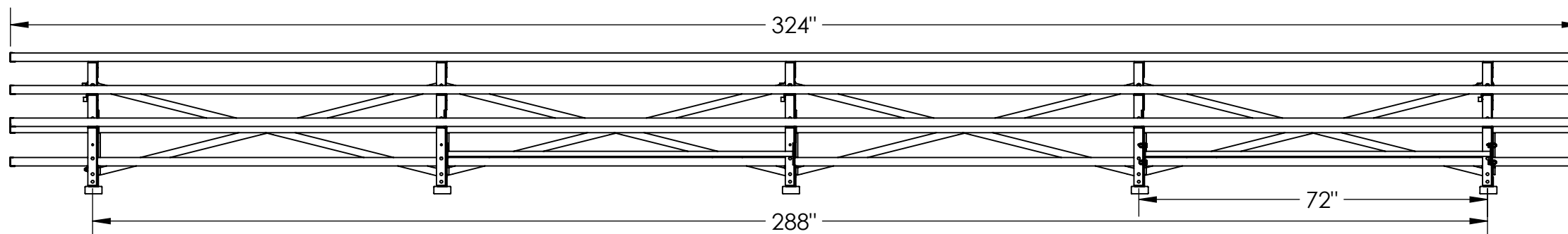
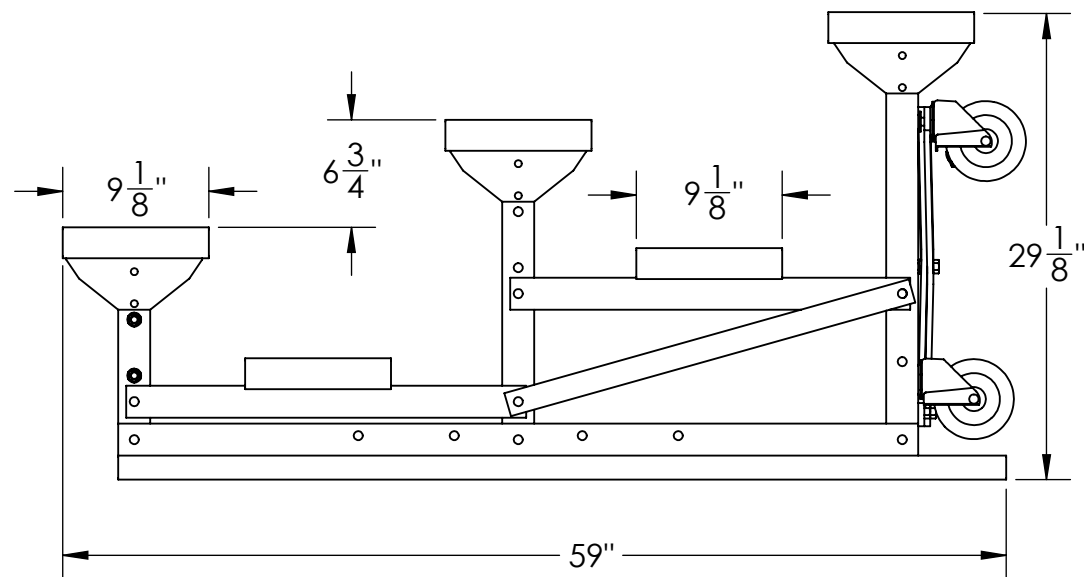


2"X 10 EXTRUDED ALUMINUM SEAT
PLANKS WITH ANODIZED FINISH

ALUMINUM FRAMES

2"X 4" TREATED SOUTHERN
YELLOW PINE MUDSILLS

2"X 10" EXTRUDED ALUMINUM
FOOT PLANKS WITH MILL FINISH

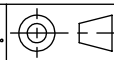


APRX. WGT. 365 LBS.

GENERAL NOTES

DIMENSIONS ARE IN INCHES
TOLERANCES: LINEAR: ± 1/16"
ANGULAR: ± 1°

CONFIDENTIAL DRAWING.
INFORMATION IS NOT TO BE COPIED OR
DISCLOSED TO OTHERS WITHOUT
CONSENT OF KAY INDUSTRIES.
SPECIFICATIONS SUBJECT TO CHANGE
WITHOUT NOTICE.



SHEET SIZE
B

DRAWN BY
JNB

APPROVED

LAST SAVED
johnb

SCALE
1:48

REV

9/22/2017

9/22/2017



Kay Park Rec.

DESC: 3 ROW 27' BLEACHER W/ TIP N ROLL

MATL:

PART NO: BLA3A27TR