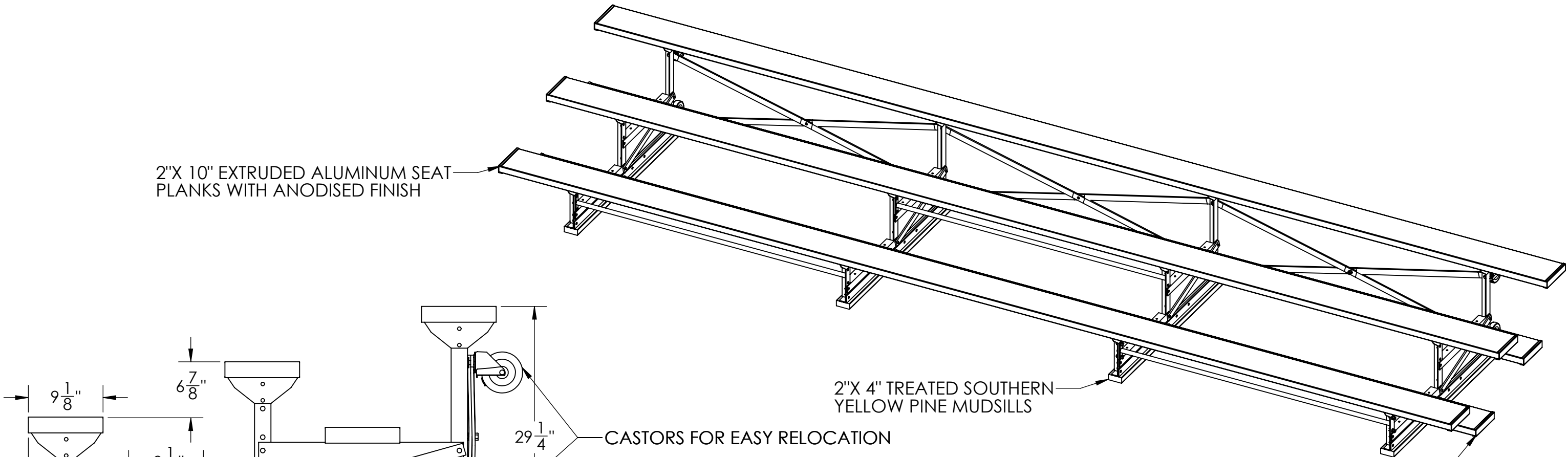


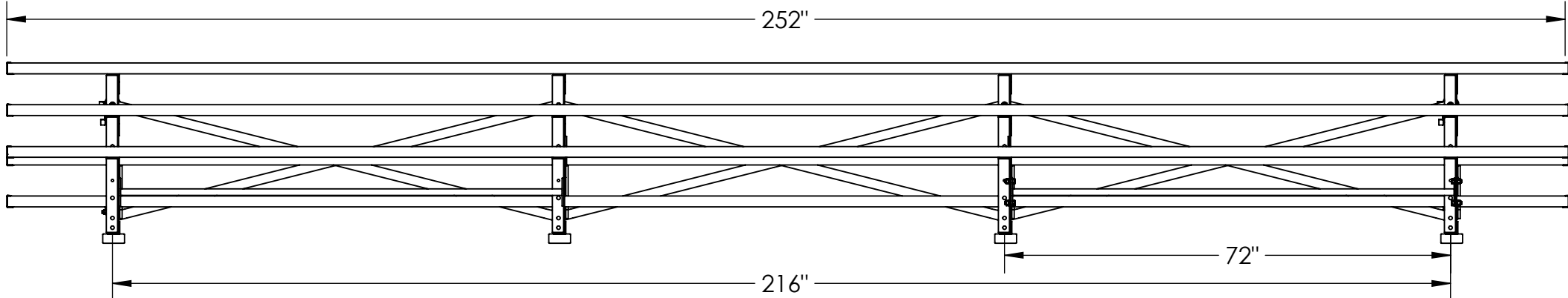
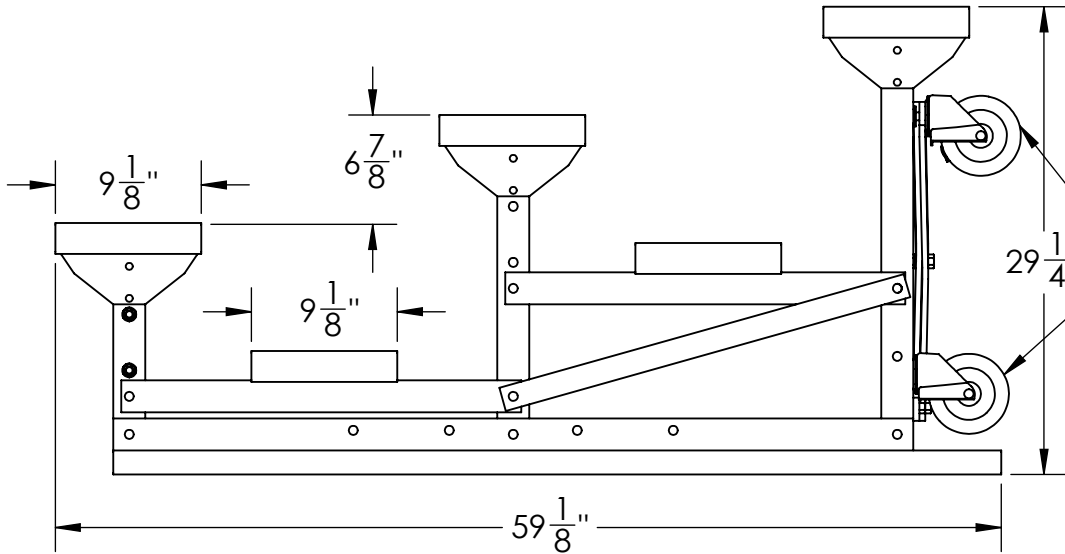
2"X 10" EXTRUDED ALUMINUM SEAT PLANKS WITH ANODISED FINISH



2"X 4" TREATED SOUTHERN YELLOW PINE MUDDSILLS

CASTORS FOR EASY RELOCATION

2"X 10" EXTRUDED ALUMINUM FOOT PLANKS WITH MILL FINISH

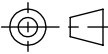


APRX. WGT. 290 LBS

GENERAL NOTES

CONFIDENTIAL DRAWING.
 INFORMATION IS NOT TO BE COPIED OR DISCLOSED TO OTHERS WITHOUT CONSENT OF KAY INDUSTRIES.
 SPECIFICATIONS SUBJECT TO CHANGE WITHOUT NOTICE.

DIMENSIONS ARE IN INCHES
 TOLERANCES: LINEAR: ± 1/16"
 ANGULAR: ± 1°



SHEET SIZE
B

SCALE
 1:23

REV



Kay Park Rec.

DRAWN BY

JNB

9/19/2017

DESC:

3 ROW 21' BLEACHER W/TIP N ROLL

APPROVED

MATL:

LAST SAVED

johnb

9/19/2017

PART NO: BLA3A21TR