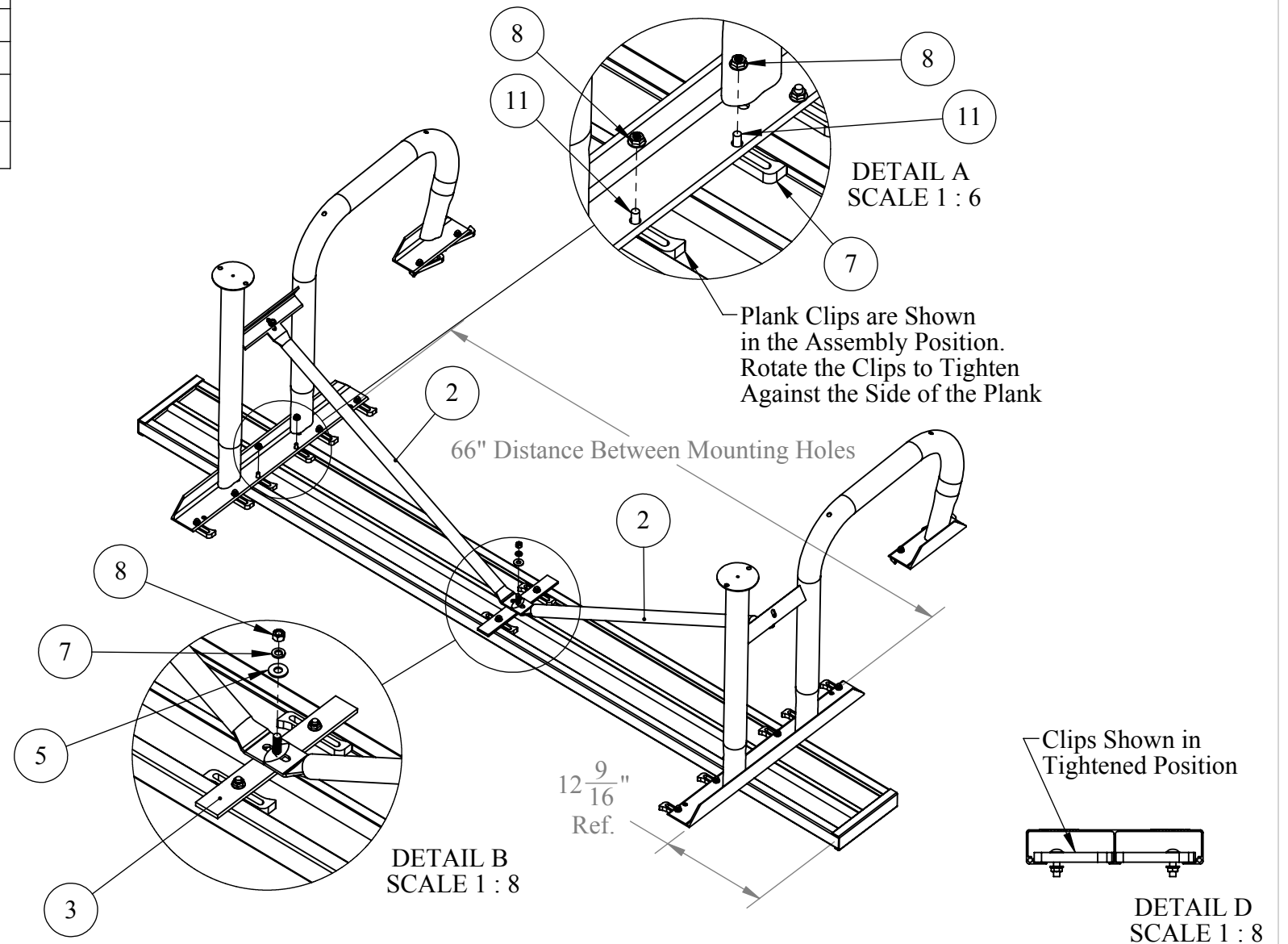
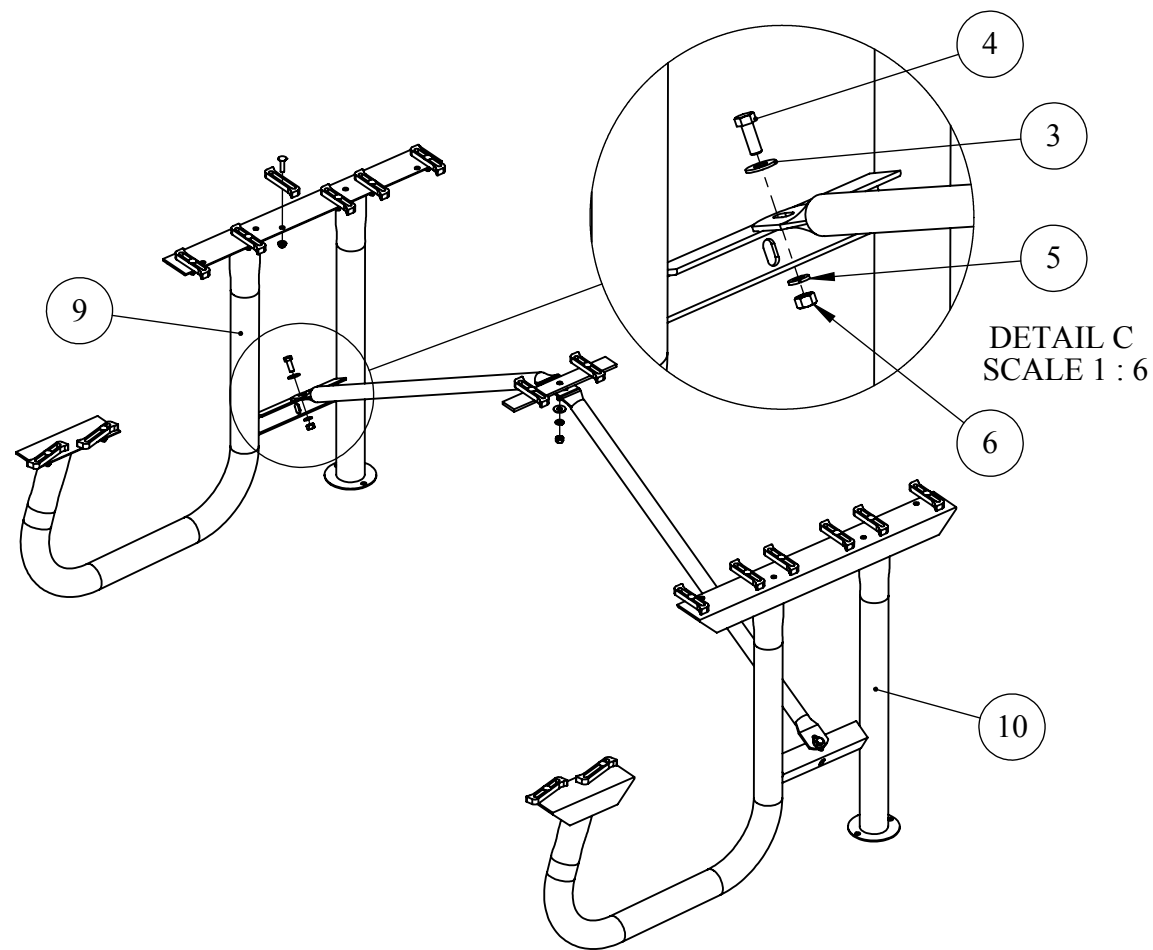


ITEM NO.	PART NUMBER	DESCRIPTION	No Planks/QTY.
1	8IPT-5	1 5/16" OD STEEL GALVANIZED TUBE	2
2	IPTA-6	CENTER SUPPORT CLEAT	1
3	Preferred Wide FW 0.375	FLAT WASHER FW 0.375	3
4	HBOLT 0.3750-16x1x1-N	HEX HEAD BOLT 0.3750-16x 1.00	2
5	LOCKW-3/8	LOCK WASHER 3/8"	3
6	HNUT 0.3750-16-D-N	HEX NUT 0.3750-16	3
7	IA-12	Aluminum 2" x 10" Plank Clip	18
8	NUT-5/16	5/16"-18 FLANGED HEX NUT	18
9	J21SL-SA1	J2 LEG ASSY LEFT SURFACE MOUNT	1
10	J21SR-SA1	J2 RIGHT LEG ASSY SURFACE MOUNT	1
11	RHSSNBOLT 0.3125-18x1.25x1.25-N	CARRIAGE BOLT 0.3125-18x1.25	18

1. Start by Laying One of the 8' Planks Upside Down on a Flat Surface. Place a Plank Clip Under the Angle Iron Mounting Cleat of the Leg Assembly As Shown Below. Finger Tighten (2) 5/16"- 18 Flanged Nuts on Each End on the Plank.
2. Attach the Center Support Cleat to the Plank in the Same Manner.
3. Assemble the Galvanized Support Tubes to the Center Cleat and to the Leg as Shown. There should be and Equal Distance of Plank Overhang on Each End of the Table.
4. Square up the Legs on the Plank and Tightened All of the Hardware for this Center Plank. Now Assembly the Remaining Table Top Planks and the Seat Plank.



CONFIDENTIAL DRAWING AND INFORMATION IS NOT TO BE COPIED OR DISCLOSED TO OTHERS WITHOUT THE CONSENT OF KAY PARK. SPECIFICATIONS ARE SUBJECT TO CHANGE WITHOUT NOTICE.

GENERAL NOTES:		UNLESS OTHERWISE SPECIFIED:		NAME	DATE	 <b>Kay Park Rec</b>
DIMENSIONS ARE IN INCHES		DRAWN		<b>DAT</b>	10/11/2014	
TOLERANCES:		CHECKED				DESC. SCORER'S TABLE 8' GALV FRAME ALUMINUM PLANKS
FRACTIONAL ± 1/32		ENG APPR.				
BEND ± 1/2°		MFG APPR.				SIZE
THREE PLACE DECIMAL ± .005		Last Saved		10/9/2014 9:24:47 AM		PART NO.
Do Not Scale Drawing		COMMENTS:				<b>B</b>
MATERIAL						8J2GA1S
						REV
SHEET 1 OF 2						
Path to Part or Assy - 8J2GA1S		S:\CADDRWGS\Solidworks\Tables\J2\		No Planks		

