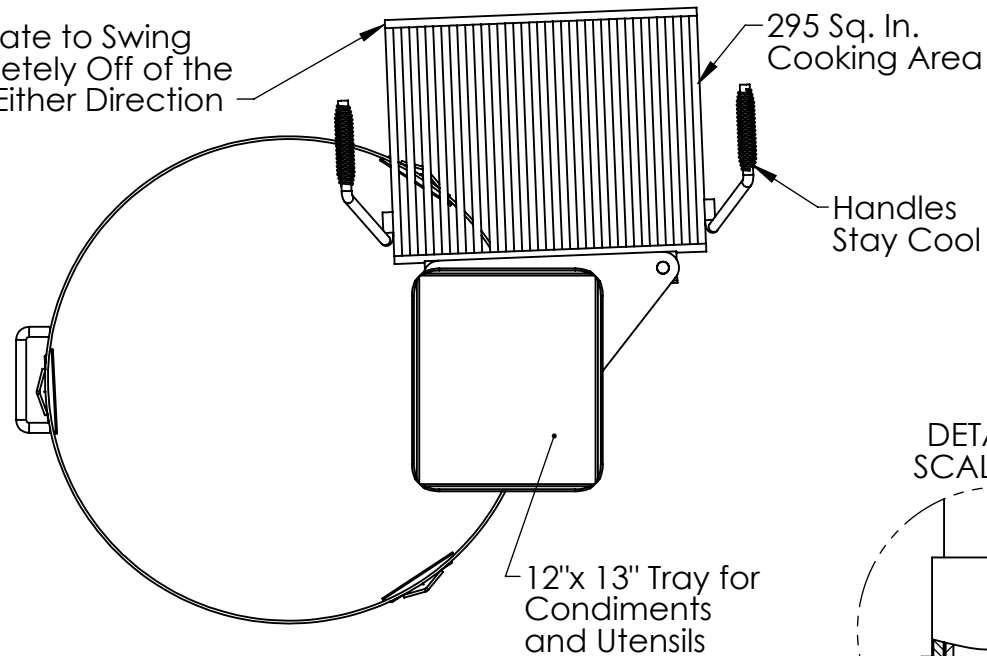
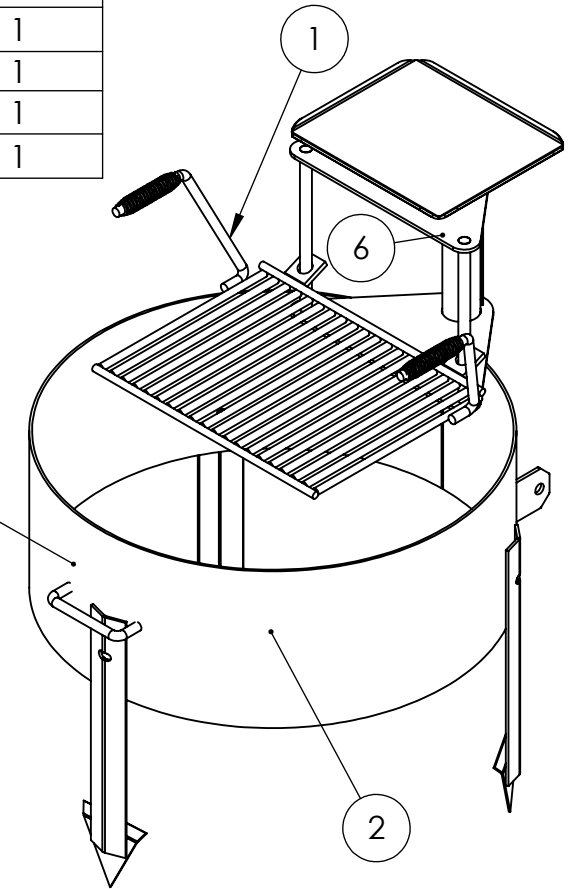
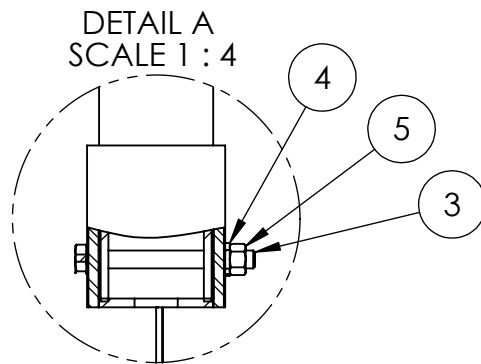


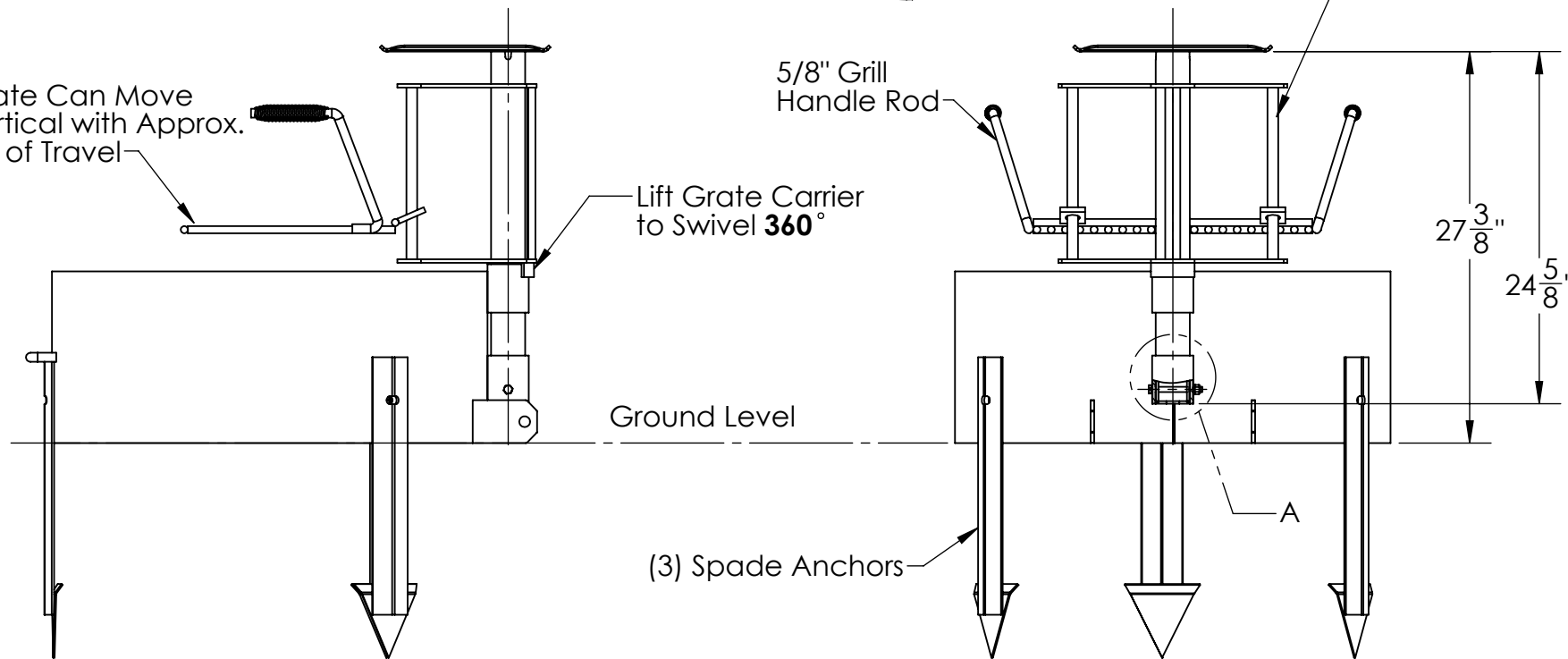
Grill Grate to Swing Completely Off of the Fire in Either Direction



ITEM NO.	PART NUMBER	DESCRIPTION	Fire Ring with Spade Anchors/ QTY.
1	UFR-SA4	GRILL GRATE SWIVEL ASSY	1
2	UFR-SA5	GRILL RING with SPADE ANCHORS	1
3	HFBOLT 0.375-16x3.5x1-N	3/8"-16 x 3 1/2" HEX HEAD BOLT	1
4	LOCKW-3/8	LOCK WASHER 3/8"	1
5	HNUT 0.3750-16-D-N	HEX NUT 0.3750-16	1
6	UFR-SA1	2 3/8" SWIVEL GRATE PIVOT TUBE ASSY	1



Grate Can Move Vertical with Approx. 12" of Travel



7 GA. Sheet Metal Ring 30" Dia. Painted Black with Heat and Rust Resistant Enamel

The Fully Adjustable Grate Allows for the Ultimate Grilling and Cooking Experience. The Grate Height is Infinitely Adjustable.

The Handles Being Well Away From the Heat Allow You to Make Adjustments at Any Time. If You Have Strategically Placed Items on the Grill Surface, You Can Swing the Grate in Either Direction to Change the Hot Spot on The Grill.

When You Are Done Cooking, You Can Swing the Grate to the Side and Enjoy an Open Fire Ring.

Tilt Back Design Allows for Easy Clean Out of the Pit Area.

GENERAL NOTES:

UNLESS OTHERWISE SPECIFIED:

DIMENSIONS ARE IN INCHES
TOLERANCES:
FRACTIONAL ± 1/32
BEND ± 1/2°
THREE PLACE DECIMAL ± .005
Do Not Scale Drawing

MATERIAL

SHEET 1 OF 1

NAME DATE

DRAWN DAT 2/9/2012

CHECKED

ENG APPR.

MFG APPR.

Last Saved 6/4/2015 4:35:34 PM

COMMENTS:

WGT: 102 Lbs.

K Industries, Inc.

TITLE:

DESC. **UFR30SAS FINAL ASSEMBLY**

S:\CADDRWGS\Solidworks\Grills\UF\

SIZE PART NO. REV

B UFR30SAS

Fire Ring with Spade Anchors

Confidential Drawing and Information is Not to be Copied or Disclosed to Others without the Consent of Kay Industries. Specifications are Subject to Change without Notice