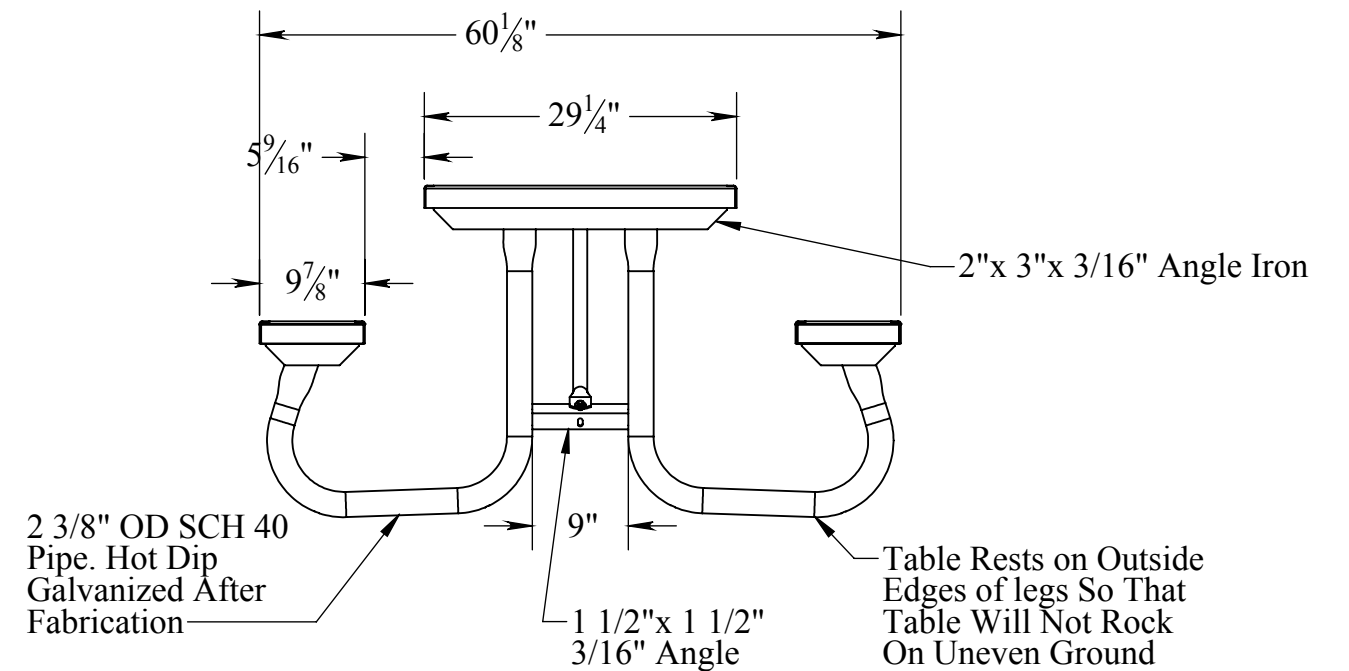
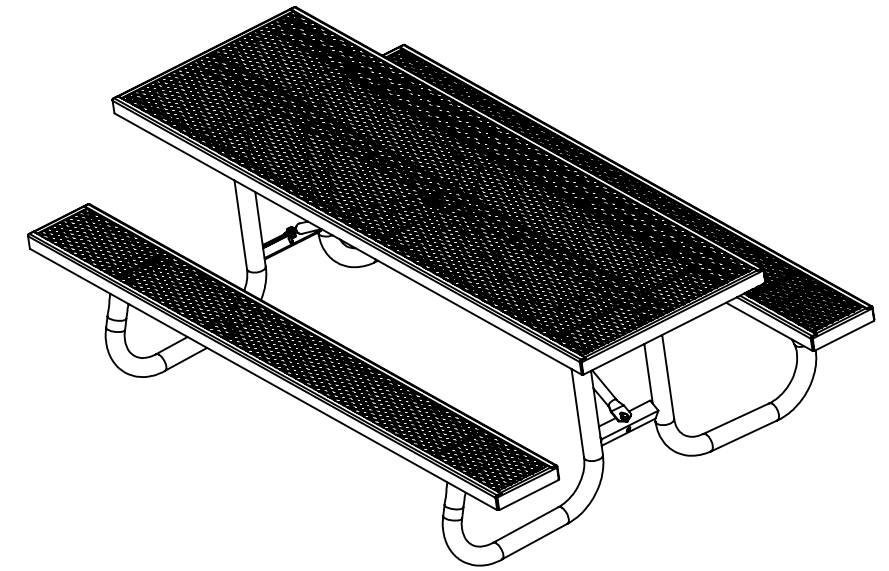


3/4"x#9 Expanded Metal,
3/4"x 2" x 10 Ga. Metal
Borders.



COLORS AVAILABLE PER CATALOG

Confidential Drawing and Information
is Not to be Copied or Disclosed to Others
without the Consent of Kay Industries.
Specifications are Subject to Change
without Notice

GENERAL NOTES:	UNLESS OTHERWISE SPECIFIED:	NAME	DATE	K Industries, Inc.	
	DIMENSIONS ARE IN INCHES TOLERANCES: FRACTIONAL ± 1/32 BEND ± 1/2° THREE PLACE DECIMAL ± .005 Do Not Scale Drawing	DRAWN	DAT	8/6/2015	TITLE:
	MATERIAL	CHECKED			DESC. 8 FT. TABLE VP TOP AND SEATS
		ENG APPR.			S:\CADDRWGS\Solidworks\Tables\J2\
		MFG APPR.			SIZE
		Last Saved	8/6/2015 2:58:33 PM		PART NO. 8J2GVP (Spec)
		COMMENTS:			REV
	SHEET 1 OF 1				
Path to Part or Assy - 8J2GVP (Spec)	S:\CADDRWGS\Solidworks\Tables\J2\	WGT: 254 Lbs.			Default