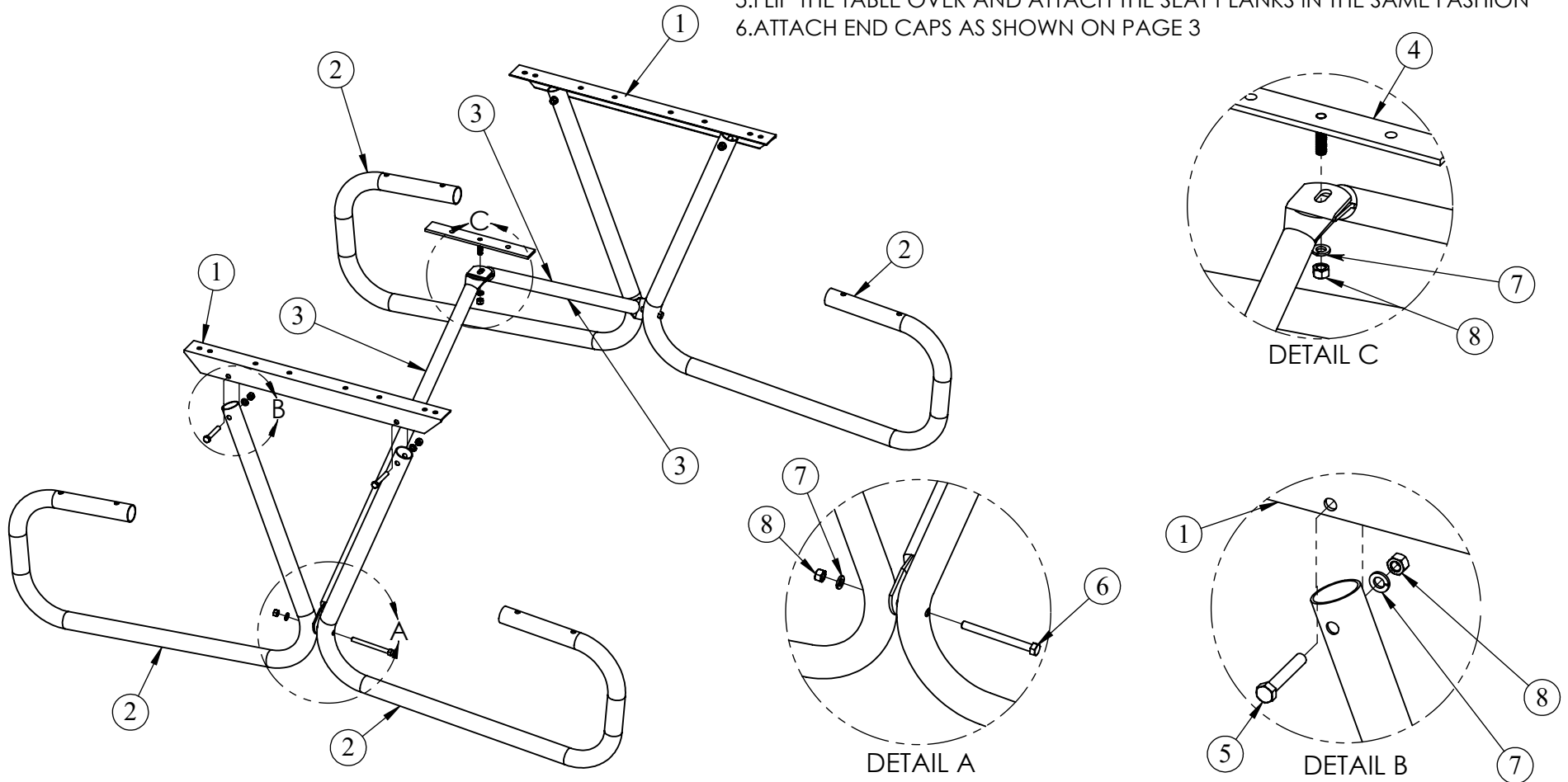


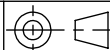
ITEM NO.	PART NUMBER	DESCRIPTION	QTY.
1	IBG-2	BG and 2BG TOP CLEAT	2
2	BG-1	BG TABLE LEG 1 5/8" OD	4
3	8BGA-5	1 5/16" OD TUBE BRACE	2
4	IPTA-6	CENTER SUPPORT CLEAT WITH STUD	1
5	HBOLT 0.3750-16x2.25x1-N		4
6	HBOLT 0.3750-16x4x1-N		2
7	Regular LW 0.375		7
8	HNUIT 0.3750-16-D-N		7

1. BOLT THE LEGS TOGETHER AS SHOWN WITH THE BRACE BETWEEN THE LEGS, AND THE TOP ANGLE AND SEAT ANGLES FACING INWARD. NOTICE THERE IS A LEFT AND RIGHT SEAT ANGLE. ATTACH APPROPRIATELY.
2. LAY THREE PLANKS ON THE GROUND CLOSE TOGETHER. PUT HOLD DOWN CLIPS INSIDE THE PLANK
3. PLACE A SET OF LEGS UPSIDE DOWN. PUT BOLTS THROUGH HOLD DOWN CLIP AND TIGHTEN WITH FLANGE NUTS. REPEAT FOR THE OTHER END OF THE TABLE. MAKE SURE THE TOP ANGLES FACE INWARD.
4. ATTACH THE CENTER CLEAT WITH STUD THE SAME WAY.
5. FLIP THE TABLE OVER AND ATTACH THE SEAT PLANKS IN THE SAME FASHION
6. ATTACH END CAPS AS SHOWN ON PAGE 3



GENERAL NOTES

DIMENSIONS ARE IN INCHES
TOLERANCES: LINEAR: ± 1/16
ANGULAR: ± 1°



SHEET SIZE

A

SCALE

1:15

REV



Kay Park Rec.

CONFIDENTIAL DRAWING.
INFORMATION IS NOT TO BE COPIED OR
DISCLOSED TO OTHERS WITHOUT
CONSENT OF KAY INDUSTRIES.
SPECIFICATIONS SUBJECT TO CHANGE
WITHOUT NOTICE.

DRAWN BY

JNB

2/1/2016

DESC:

8' TABLE W/ ALUM. PLANKS

APPROVED

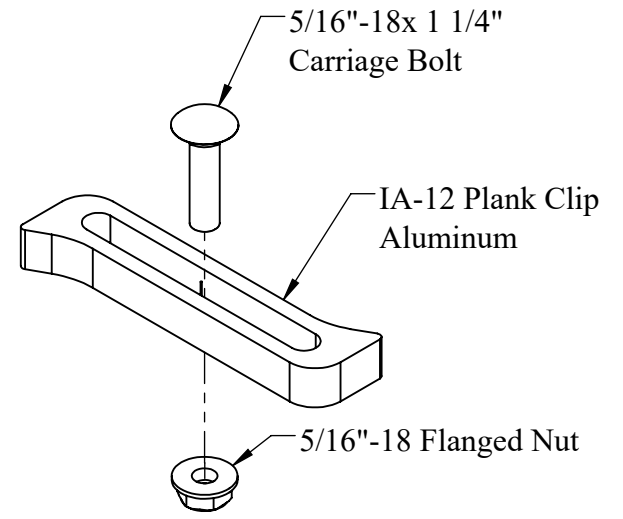
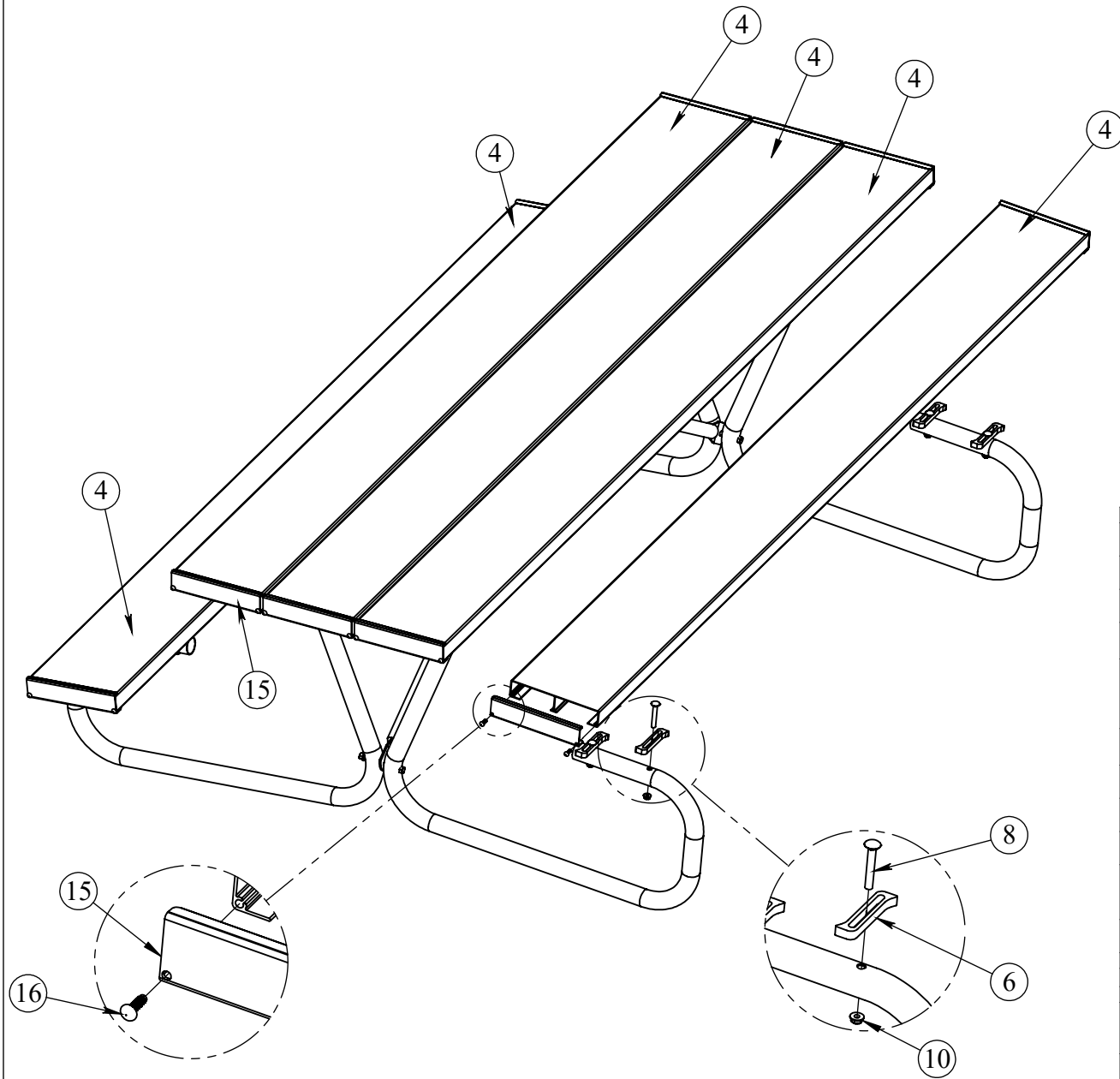
MATL:

LAST SAVED

johnb

7/25/2017

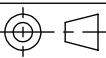
PART NO: 8BGA



NO.	PART NUMBER	DESCRIPTION	MATERIAL	QTY.
1	IBG-2	BG and 2BG TOP CLEAT		2
2	BG-1	BG TABLE LEG 1 5/8" OD		4
3	8BGA-5	1 5/16" OD TUBE BRACE		2
4	8IA-7	95.875 No End Caps CENTER SUPPORT CLEAT WITH STUD		5
5	IPTA-6	CENTER SUPPORT CLEAT WITH STUD		1
6	IA-12	Aluminum 2" x 10" Plank Clip		22
7	RHSNBOLT 0.375-16x1.25x1.25-N			12
8	RHSNBOLT 0.375-16x2.5x1-N			8
9	RHSNBOLT 0.3125-18x1.25x1.25-N			2
10	NUT-5/16-18 Flanged Nut	5/16"-18 FLANGED HEX NUT		26
11	HBOLT 0.3750-16x2.25x1-N			4
12	HBOLT 0.3750-16x4x1-N			2
13	Regular LW 0.375			7
14	HNUT 0.3750-16-D-N			7
15	IA-10	ALUM 2x10 END CAPS 9 1/8"	ALUM.CHANNEL 2" x 9 1/8"	10
16	DRIVES-3/4	DRIVE SCREW 3/4"		20

GENERAL NOTES

DIMENSIONS ARE IN INCHES
TOLERANCES: LINEAR: ± 1/16
ANGULAR: ± 1°



SHEET SIZE
A

SCALE
1:15

REV



Kay Park Rec.

DESC: 8' TABLE W/ ALUM. PLANKS

MATL:

PART NO: 8BGA

CONFIDENTIAL DRAWING.
INFORMATION IS NOT TO BE COPIED OR
DISCLOSED TO OTHERS WITHOUT
CONSENT OF KAY INDUSTRIES.
SPECIFICATIONS SUBJECT TO CHANGE
WITHOUT NOTICE.

DRAWN BY
JNB

2/1/2016

APPROVED

LAST SAVED

johnb 7/25/2017