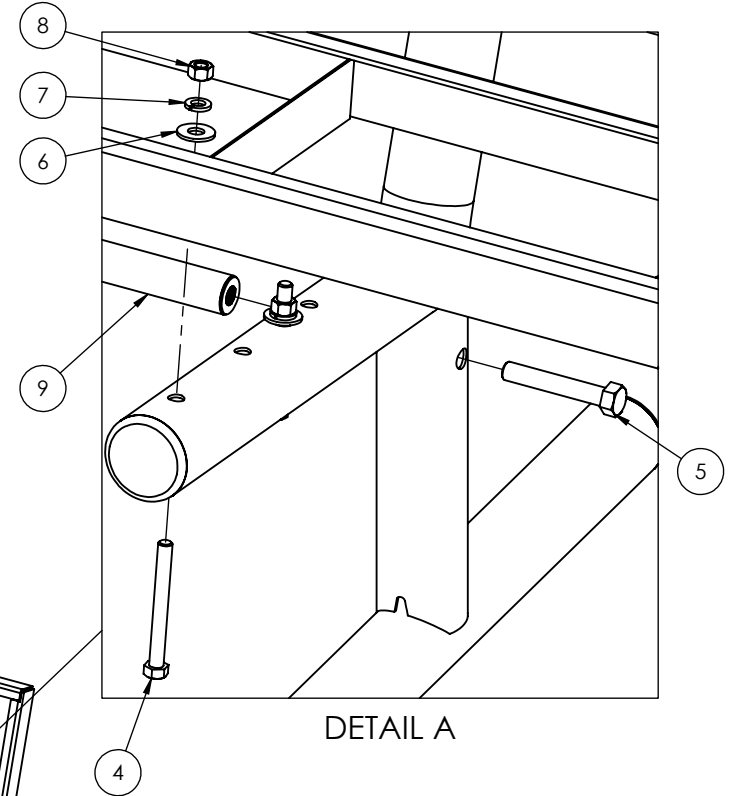
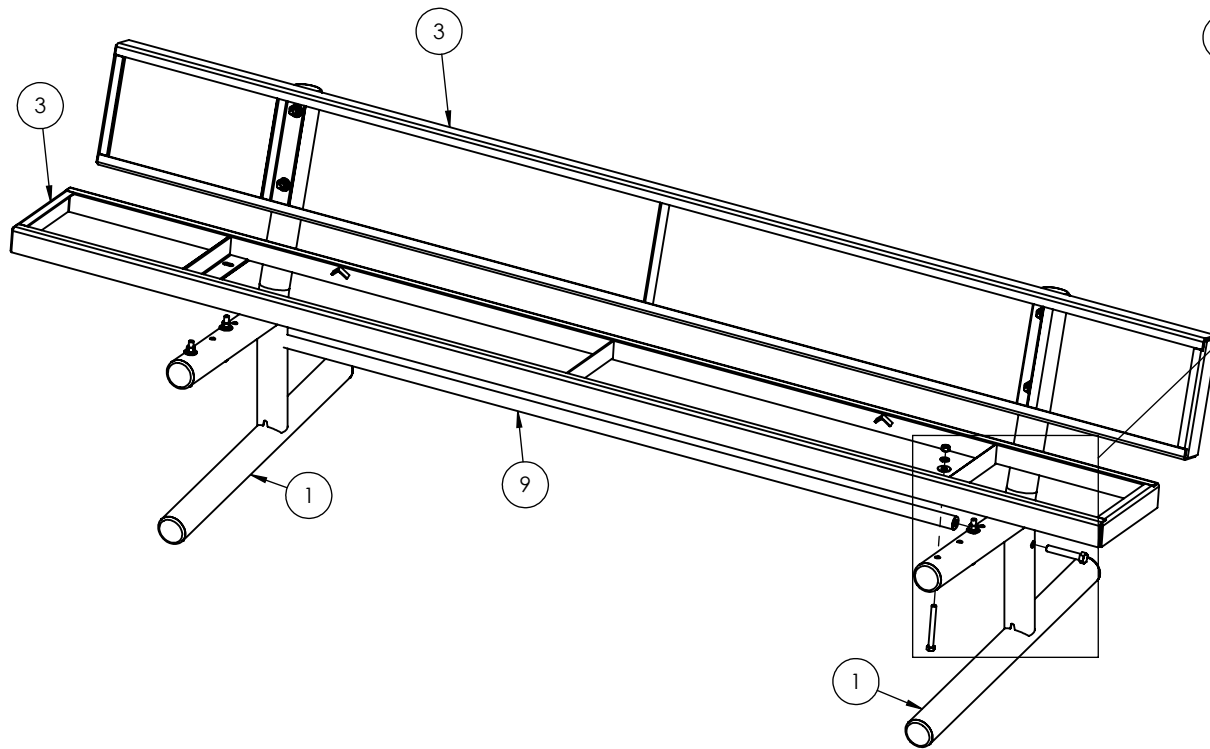


ITEM NO.	PART NUMBER	DESCRIPTION	QTY.
1	PG-SA1	Port. Bench With Back	2
2	ILPCAP-11	LARGE 2 3/8" CAP PLASTIC	8
3	8IV-8	8' VP SEAT SUB ASSY	2
4	HBOLT 0.3750-16x3.5x1-N	HEX BOLT 3/8"-16x 3 1/2"	8
5	HBOLT 0.5000-13x3x1.25-N	1/2"-13x 3" HEX HEAD BOLT	2
6	Preferred Wide FW 0.375	FLAT WASHER 3/8" WIDE	8
7	Regular LW 0.375	LOCK WASHER 3/8"	8
8	HNUT 0.3750-16-D-N	HEX NUT 3/8"-16	8
9	8IPB-225	8' GALV BRACE ASSY 63 5/8"	1



GENERAL NOTES	DIMENSIONS ARE IN INCHES TOLERANCES: LINEAR: $\pm 1/16$ ANGULAR: $\pm 1^\circ$		SHEET SIZE A	SCALE 1:15	REV		Kay Park Rec.
	CONFIDENTIAL DRAWING. INFORMATION IS NOT TO BE COPIED OR DISCLOSED TO OTHERS WITHOUT CONSENT OF KAY INDUSTRIES. SPECIFICATIONS SUBJECT TO CHANGE WITHOUT NOTICE.		DRAWN BY JNB	6/11/2014	DESC:	8' PORTABLE VP BENCH	
			APPROVED		MATL:		
			LAST SAVED	johnb	6/13/2017	PART NO: 82PGVP	
PATH TO PART OR ASSM - 82PGVP		S:\CADDRWGS\Solidworks\Benches\Portable\		Configuration - NO EXPAND METAL		6/13/2017 2:46:36 PM	
						SHEET 2 OF 2	