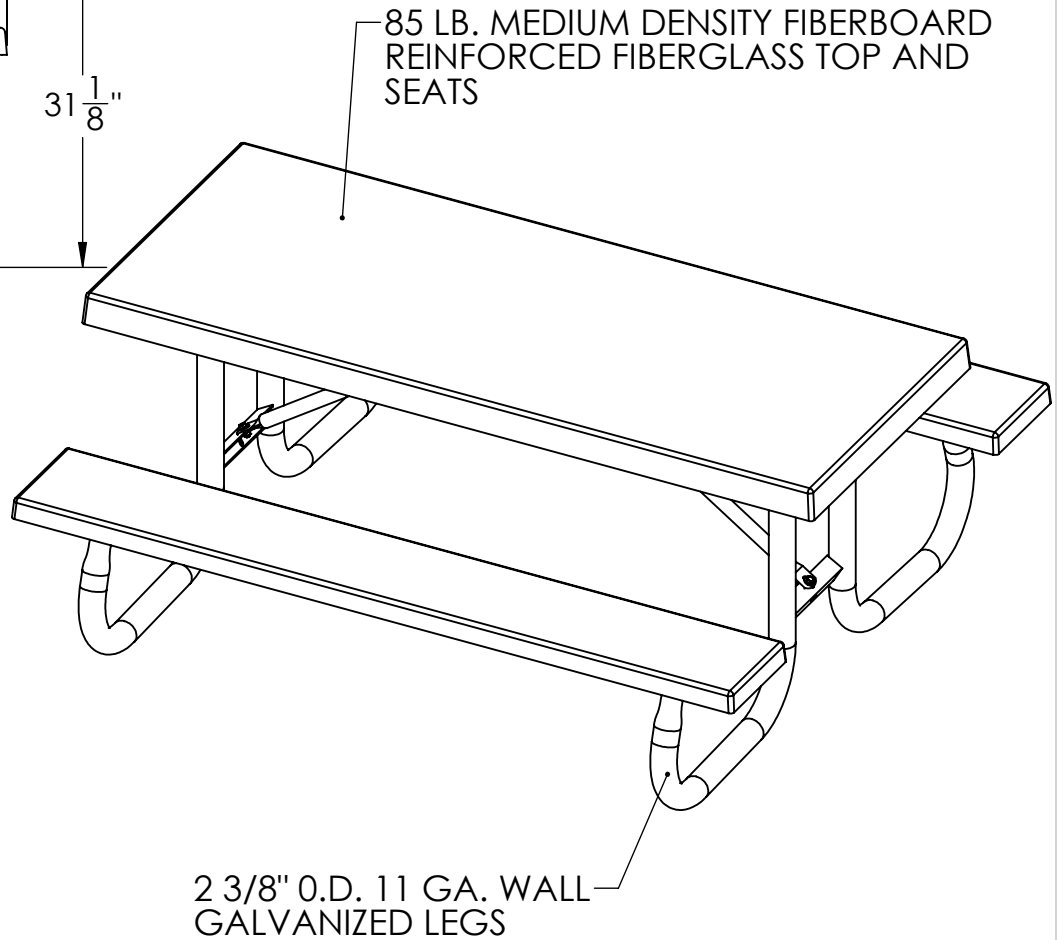
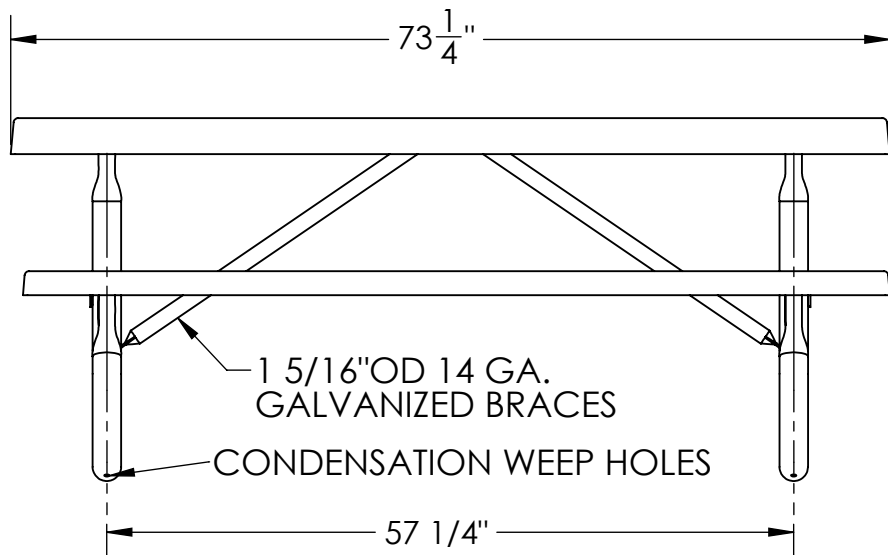


TABLE RESTS ON OUTSIDE 4 CORNERS TO HELP PREVENT ROCKING ON UNEVEN GROUND



**WGT: 290 LBS**

**GENERAL NOTES**

DIMENSIONS ARE IN INCHES  
TOLERANCES: LINEAR: ± 1/16  
ANGULAR: ± 1°



CONFIDENTIAL DRAWING.  
INFORMATION IS NOT TO BE COPIED OR  
DISCLOSED TO OTHERS WITHOUT  
CONSENT OF KAY INDUSTRIES.  
SPECIFICATIONS SUBJECT TO CHANGE  
WITHOUT NOTICE.

SHEET SIZE

**A**

SCALE

**1:16**

REV



**Kay Park Rec.**

DRAWN BY

DAT

6/20/2017

DESC:

6' J2 FIBERGLASS MDF REINFORCED TABLE

APPROVED

MATL:

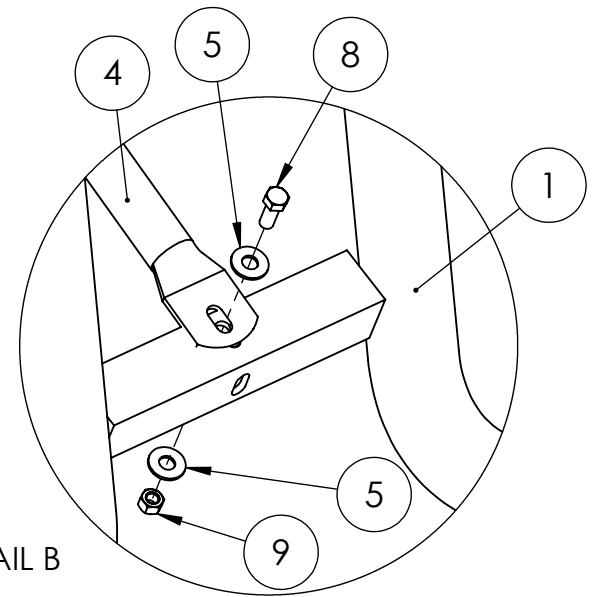
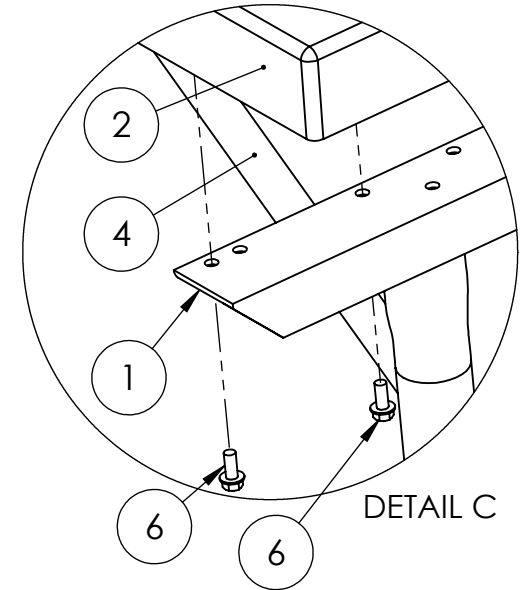
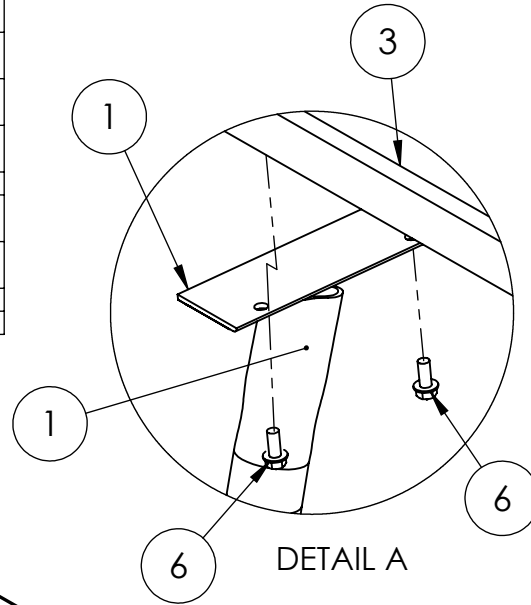
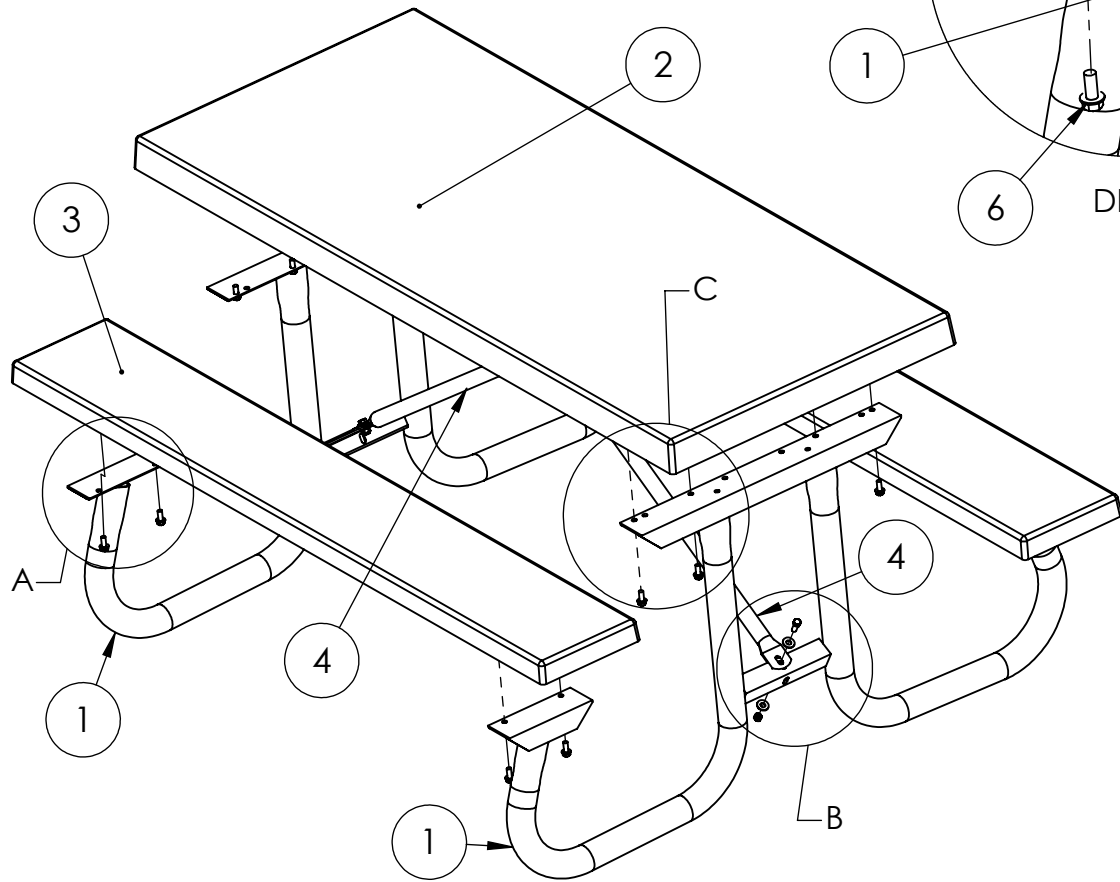
LAST SAVED

dave†

12/27/2018

**PART NO: 6J2GF**

ITEM NO.	PART NUMBER	DESCRIPTION	QTY.
1	J2-SA1	J2 LEG WELDED SUB ASSEMBLY	2
2	6IPTF-9	6 FT. FIBERGLASS TOP WITH 85 LB DENSITY CORE	1
3	6IF-8	6' FIBERGLASS SEAT ASSY WITH MDF CORE	2
4	6IPT-5	6IPT-5 GALV SUPPORT BRACE	2
5	Preferred Wide FW 0.375	FLAT WASHER 3/8" WIDE	5
6	IN-HWMS 0.375-16x0.875x0.875-N	3/8"-16x 7/8" FLANGED HEX HEAD BOLT	16
7	IN-HWMS 0.375-16x1x1-N	3/8"-16x 1" FLANGED HEX HEAD BOLT	1
8	HBOLT 0.3750-16x1x1-N	3/8"-16x 1" HEX HEAD BOLT	2
9	HNUOT 0.3750-16-D-N	3/8"-16 HEX NUT	2



GENERAL NOTES

DIMENSIONS ARE IN INCHES  
TOLERANCES: LINEAR: ± 1/16  
ANGULAR: ± 1°



CONFIDENTIAL DRAWING.  
INFORMATION IS NOT TO BE COPIED OR  
DISCLOSED TO OTHERS WITHOUT  
CONSENT OF KAY INDUSTRIES.  
SPECIFICATIONS SUBJECT TO CHANGE  
WITHOUT NOTICE.

SHEET SIZE

**A**

SCALE

1:16

REV



**Kay Park Rec.**

6' J2 FIBERGLASS MDF REINFORCED TABLE

DRAWN BY

DAT

6/20/2017

DESC:

APPROVED

MATL:

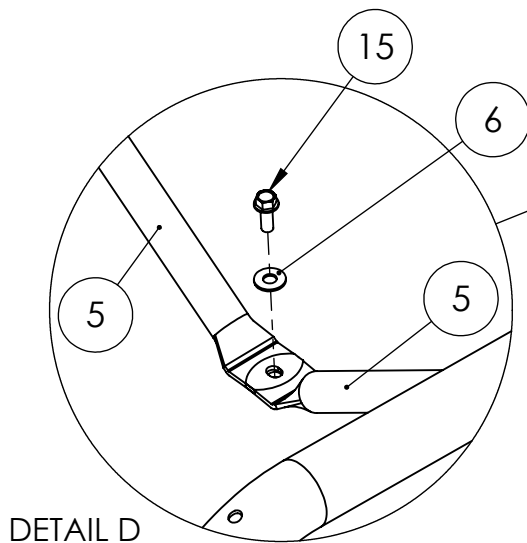
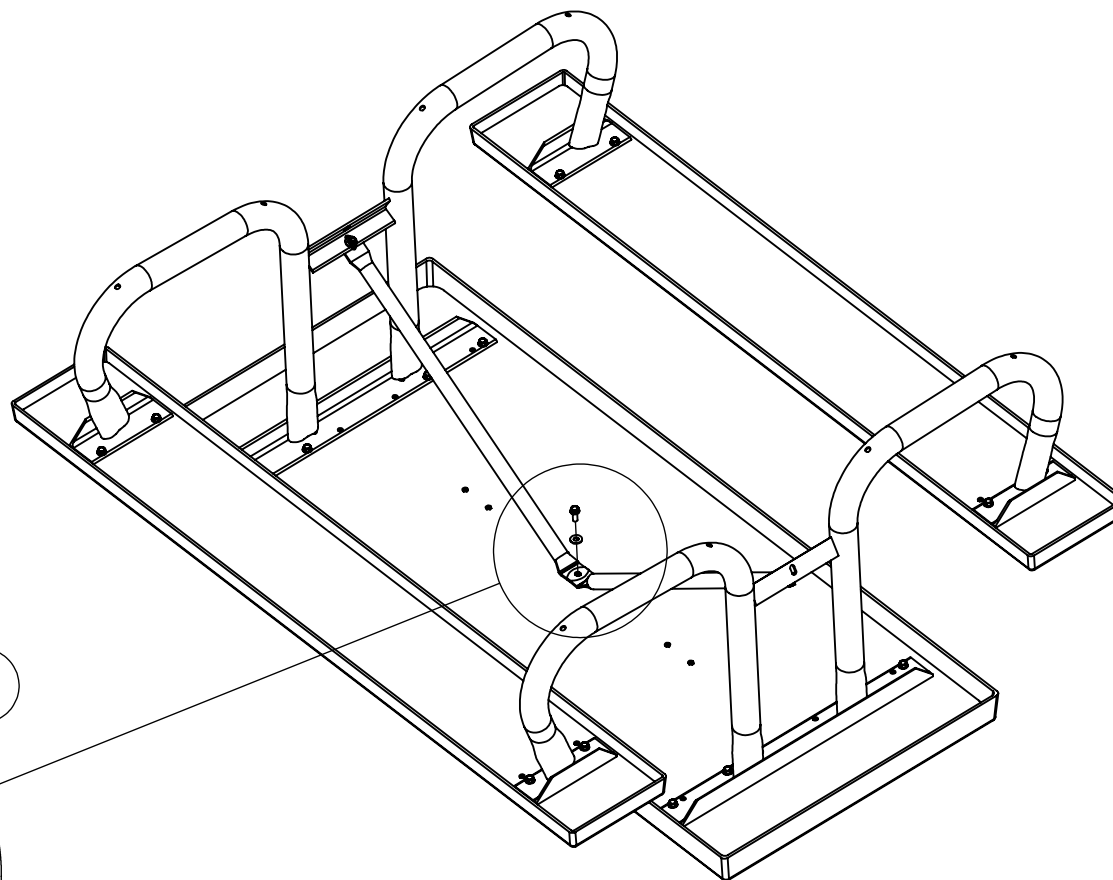
LAST SAVED

davet

12/27/2018

**PART NO: 6J2GF**

NO.	PART NUMBER	DESCRIPTION	MATERIAL	QTY.
1	J2-SA1	J2 LEG WELDED SUB ASSEMBLY		2
2	6IPT-5	6IPT-5 GALV SUPPORT BRACE	1 5/16" (1.315) OD GALVANIZED TUBING 14 GA. A-513	2
3	Preferred Wide FW 0.375	FLAT WASHER 3/8" WIDE		5
4	HBOLT 0.3750-16x1x1-N	3/8"-16x 1" HEX HEAD BOLT		2
5	HNUT 0.3750-16-D-N	3/8"-16 HEX NUT		2
6	6IPTF-9	6 FT. FIBERGLASS TOP WITH 85 LB DENSITY CORE		1
7	6IF-8	6' FIBERGLASS SEAT ASSY WITH MDF CORE		2
8	IN-HWMS 0.375-16x0.875x0.875-N	3/8"-16x 7/8" FLANGED HEX HEAD BOLT		16
9	IN-HWMS 0.375-16x1x1-N	3/8"-16x 1" FLANGED HEX HEAD BOLT		1



GENERAL NOTES

DIMENSIONS ARE IN INCHES  
TOLERANCES: LINEAR: ± 1/16  
ANGULAR: ± 1°



CONFIDENTIAL DRAWING.  
INFORMATION IS NOT TO BE COPIED OR  
DISCLOSED TO OTHERS WITHOUT  
CONSENT OF KAY INDUSTRIES.  
SPECIFICATIONS SUBJECT TO CHANGE  
WITHOUT NOTICE.

SHEET SIZE  
**A**

SCALE  
**1:24**

REV



**K Industries, Inc.**

DRAWN BY

DAT

6/20/2017

DESC:

6' J2 FIBERGLASS MDF REINFORCED TABLE

APPROVED

MATL:

LAST SAVED

davet

12/27/2018

**PART NO: 6J2GF**