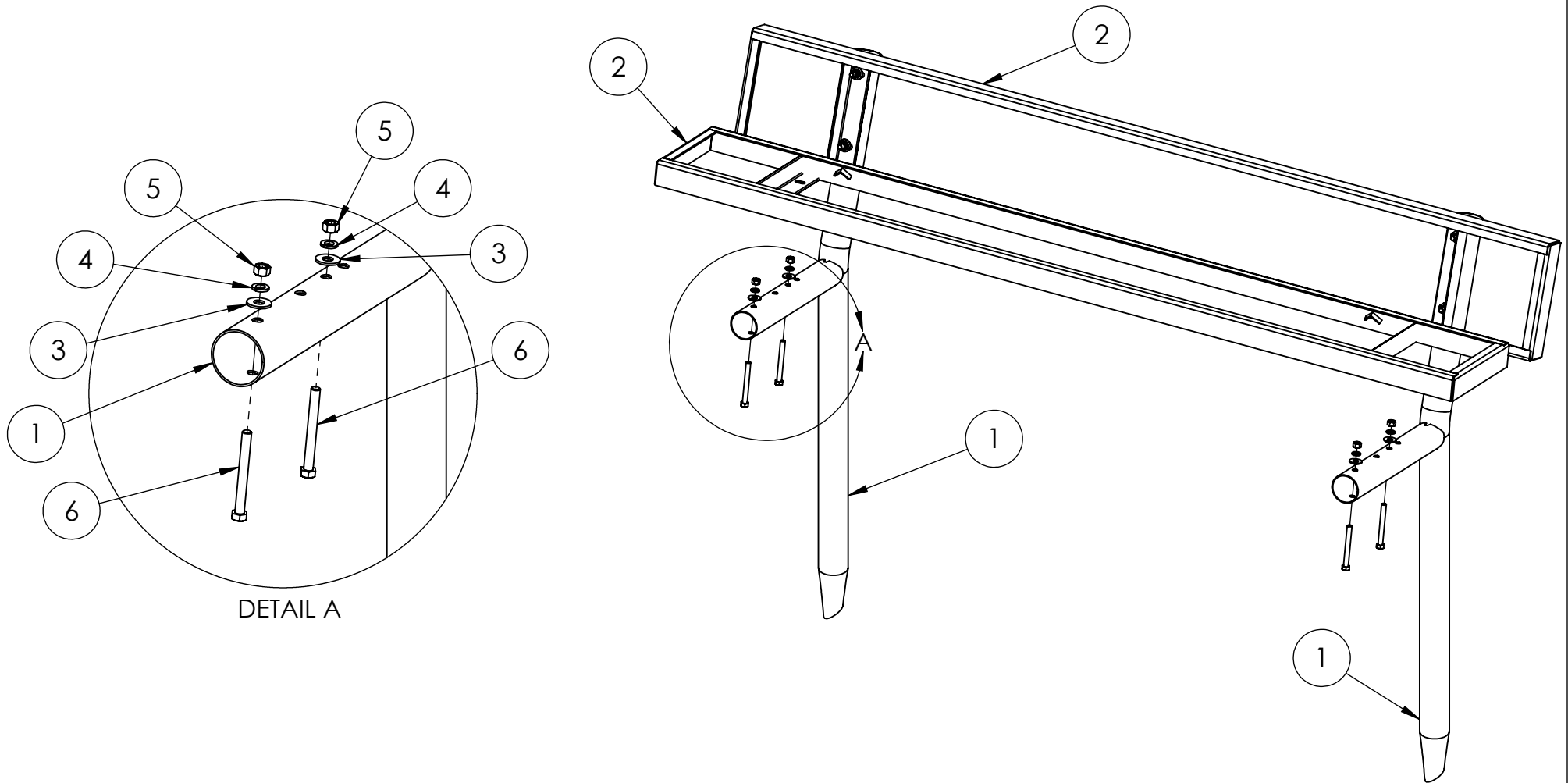
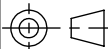


ITEM NO.	PART NUMBER	DESCRIPTION	QTY.
1	SG-SA1	Stationary Bench Leg Permanent Mount	2
2	6IV-8	6' VP Seat	2
3	Preferred Wide FW 0.375	FLAT WASHER 3/8" WIDE	8
4	Regular LW 0.375	LOCK WASHER 3/8"	8
5	HNUT 0.3750-16-D-N	HEX NUT 3/8"-16	8
6	HBOLT 0.3750-16x3.5x1-N	HEX BOLT 3/8"-16x 3 1/2"	8



GENERAL NOTES

DIMENSIONS ARE IN INCHES  
TOLERANCES: LINEAR: ± 1/16  
ANGULAR: ± 1°



SHEET SIZE

**A**

SCALE

**1:12**

REV



**Kay Park Rec.**

CONFIDENTIAL DRAWING.  
INFORMATION IS NOT TO BE COPIED OR  
DISCLOSED TO OTHERS WITHOUT  
CONSENT OF KAY INDUSTRIES.  
SPECIFICATIONS SUBJECT TO CHANGE  
WITHOUT NOTICE.

DRAWN BY

JNB

6/2/2017

DESC:

6' STATIONARY VP BENCH

APPROVED

MATL:

LAST SAVED

johnb

6/2/2017

**PART NO: 62SGVPB**