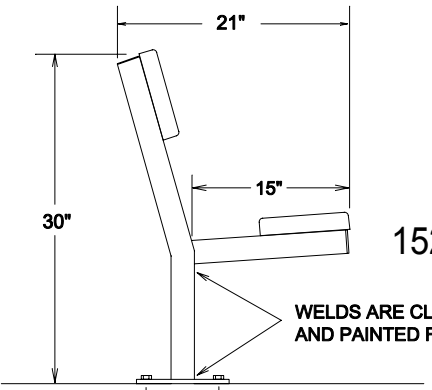
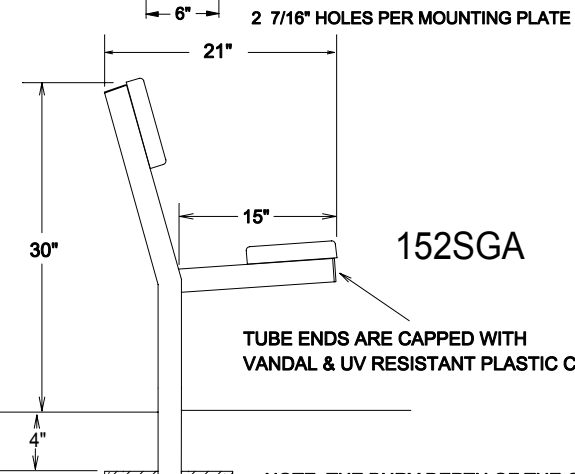


END VIEW

152PGA



152SGASM

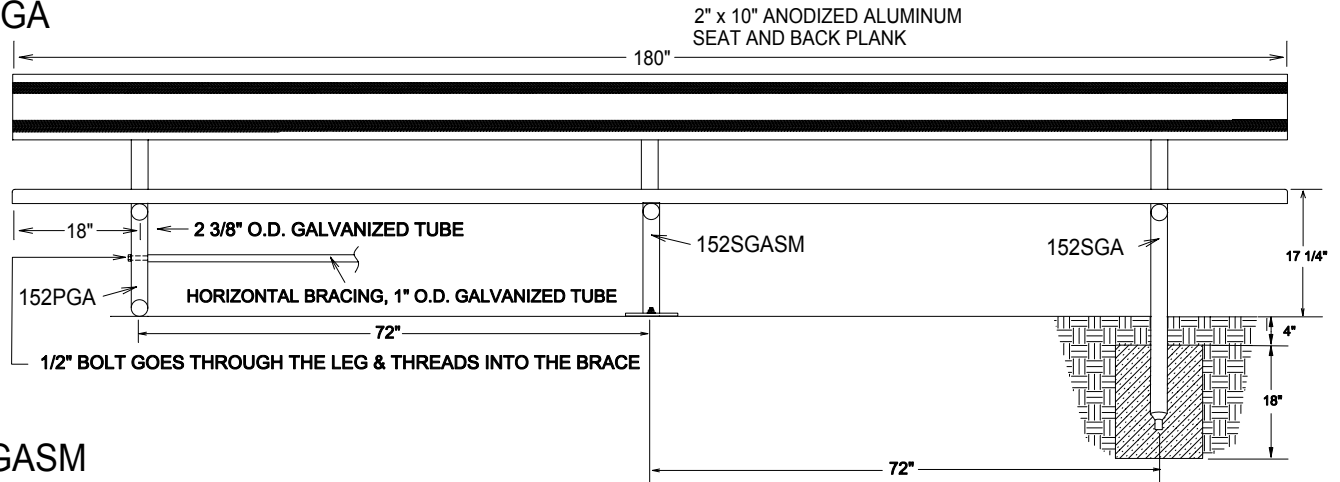


152SGA

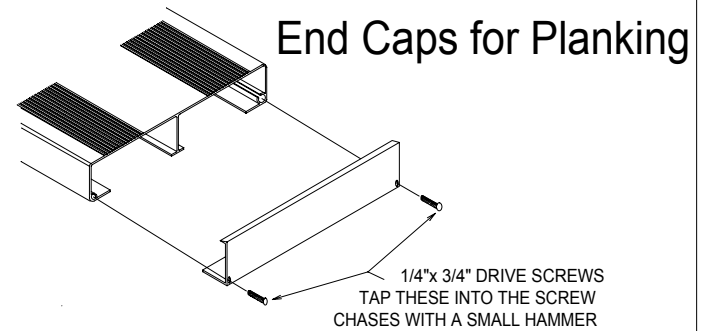
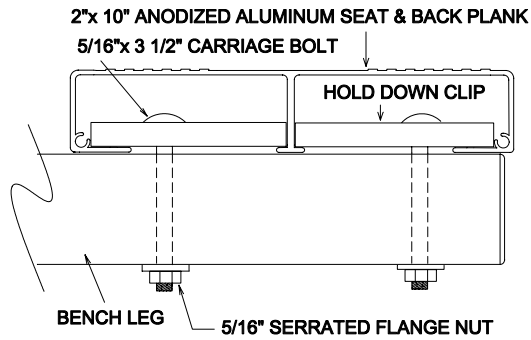
NOTE: THE BURY DEPTH OF THE CONCRETE FOOTING IS ONLY A SUGGESTION THE LOCAL SOIL CONDITIONS SHOULD DETERMINE WHAT IS NECESSARY

THE ENDS OF THE LEGS ARE DEFORMED FOR PERMANENT ANCHORING IN CONCRETE

FRONT VIEW



DETAIL OF PLANK



End Caps for Planking

| MODEL | WT. |
|----------|----------|
| 152SGA | 93 lbs. |
| 152SGASM | 93 lbs. |
| 152PGA | 109 lbs. |

KAY PARK

| | | | |
|----------|-----------|-------|-----------|
| MODEL | SEE ABOVE | WT. | SEE ABOVE |
| DRAWN BY | JBJ | DATE | 10/13/00 |
| | | SCALE | NONE |

REV 10/00

FILE NO. 152PGA, 152SGA, 152SGASM