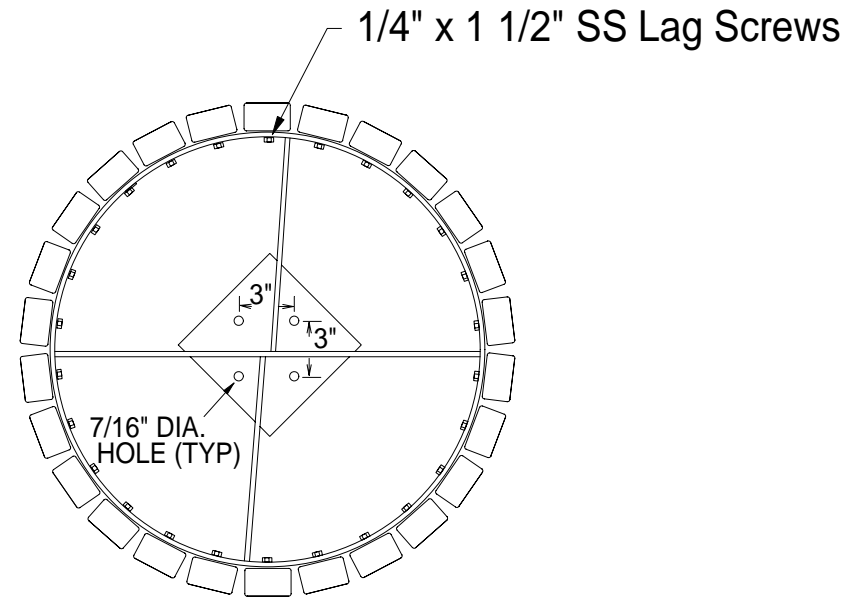
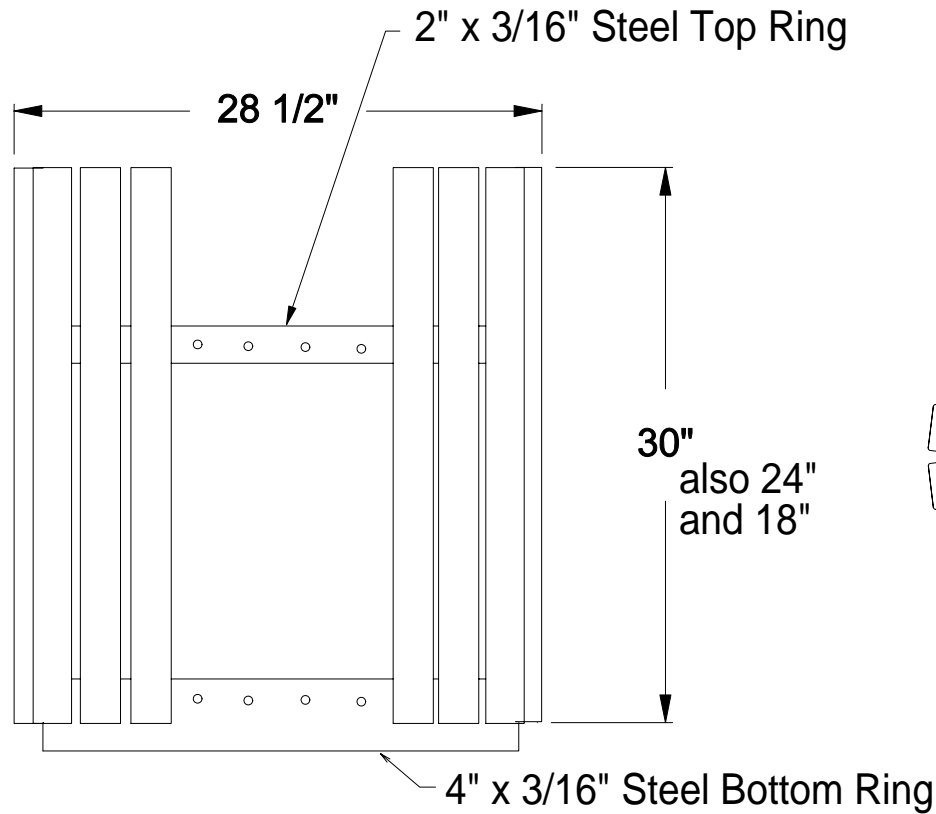


2" x 3" x 30" Recycled Plastic Slats (26 Ea)
Available in Gray, Brown or Cedar



WSRP2630RP #128
WSRP2624RP #110
WSRP2618RP #92

Four middle slats are not shown
to show detail of rings

For in-ground mount the bottom ring is
turned upside down and an in-ground mounting post
is bolted on

| | | | |
|-----------------|-----------------------|-----------|------------|
| KAY PARK | | | |
| MODEL | Windsor Round Planter | | WT. N/A |
| DRAWN BY | CKB | DATE 6/06 | SCALE NONE |