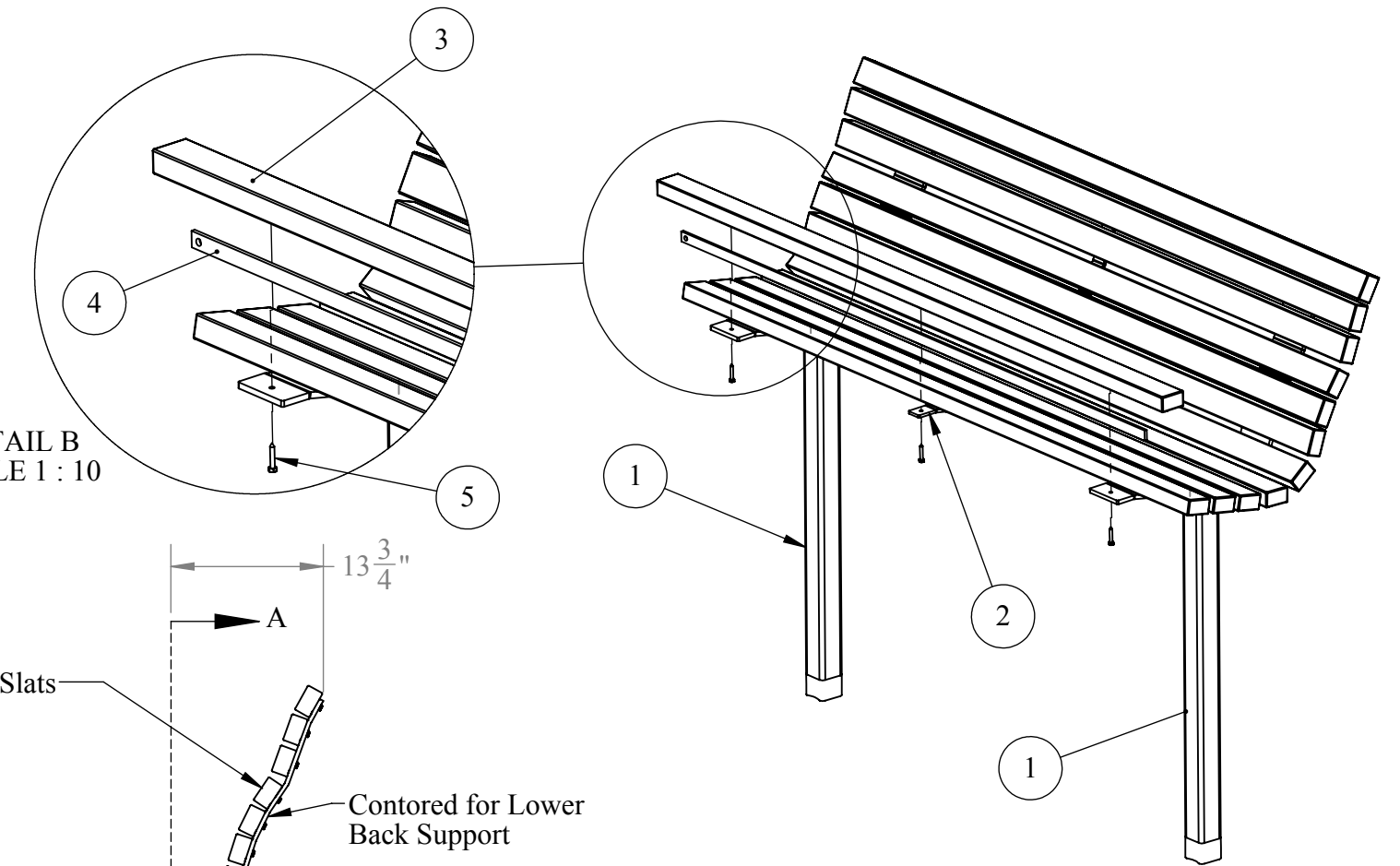
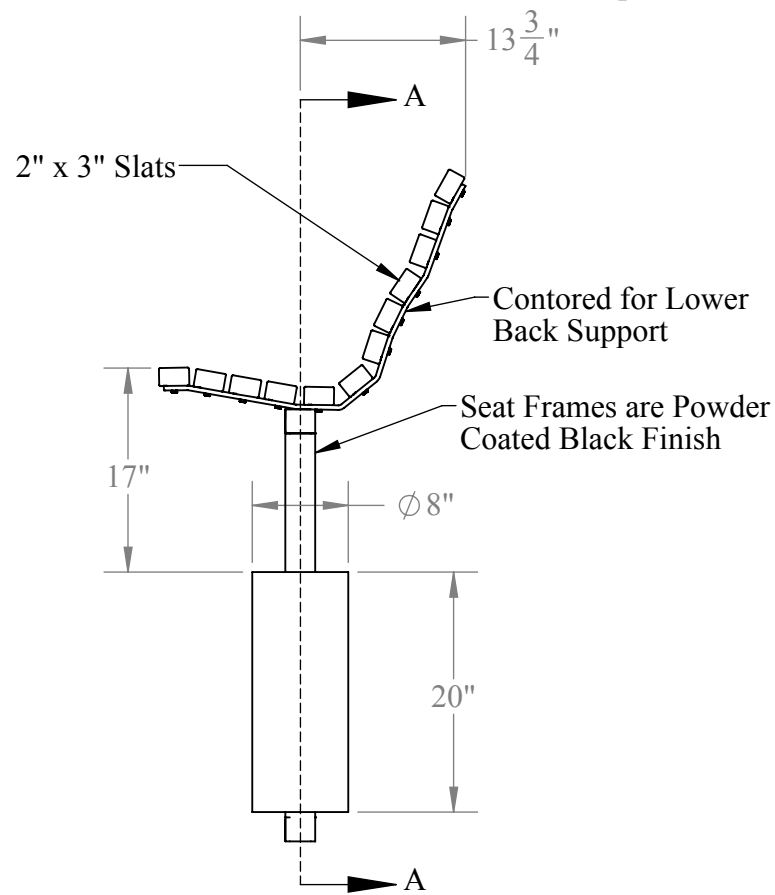
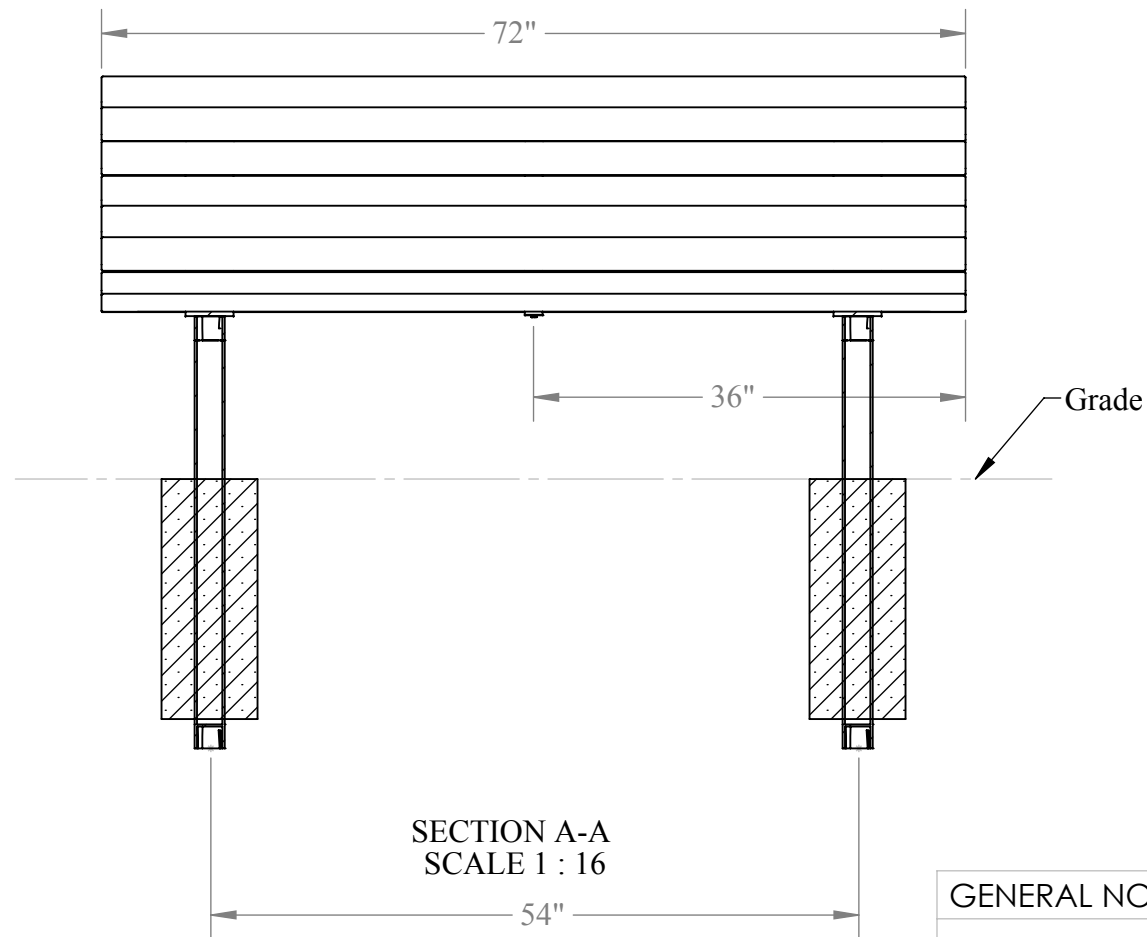


ITEM NO.	PART NUMBER	DESCRIPTION	6' Windsor without Concrete/QTY.
1	CBW-SA1S	WINDSOR COUNTOR BENCH ASSY STAT	2
2	CBW-227M	WINDSOR MIDDLE BENCH FRAME	1
3	6PBRPWS-7	2"x 3" RP Plank 72"	12
4	6IPBRP-48	REINFORCING BAR 66" RP	12
5	HLSCREW 0.2500x1.5	1/4"x1 1/2" STAINLESS HEX HEAD LAG SCREW	36

1. Planking is Installed Using 1/4"x 1 1/2" Hex Head Square Lag Screws. There are Pre -Drilled Holes in the Slats.
2. Reinforcing Bar (Item No. 4) is Pre-Installed at the Factory.
3. This Model is an In-Ground Version. Set the Bench Seat Post in Concrete as Indicated by Dimensions. Make Sure Posts are Square and Plumb Before Concrete has a Chance to Set.

CONSULT LOCAL BUILDING CODES FOR CONCRETE SPECIFICATIONS IN YOUR AREA



SEE CATALOG FOR SLAT COLORS

CONFIDENTIAL DRAWING AND INFORMATION IS NOT TO BE COPIED OR DISCLOSED TO OTHERS WITHOUT THE CONSENT OF KAY PARK. SPECIFICATIONS ARE SUBJECT TO CHANGE WITHOUT NOTICE.

GENERAL NOTES:		UNLESS OTHERWISE SPECIFIED:		NAME	DATE	
DIMENSIONS ARE IN INCHES TOLERANCES: FRACTIONAL ± 1/32 BEND ± 1/2° THREE PLACE DECIMAL ± .005 Do Not Scale Drawing MATERIAL		DRAWN	DAT	6/23/2014	TITLE:	
		CHECKED			DESC.	6' Windsor RP Bench In-Ground
		ENG APPR.			S:\CADDRWGS\Solidworks\Benches\Contour & Flat\Windsor\	
		MFG APPR.			SIZE	PART NO.
Path to Part or Assy - WS6LCBRPIG		Last Saved 6/23/2014 5:12:15 PM COMMENTS:		SHEET 1 OF 1	WS6LCBRPIG	6' Windsor without Concrete