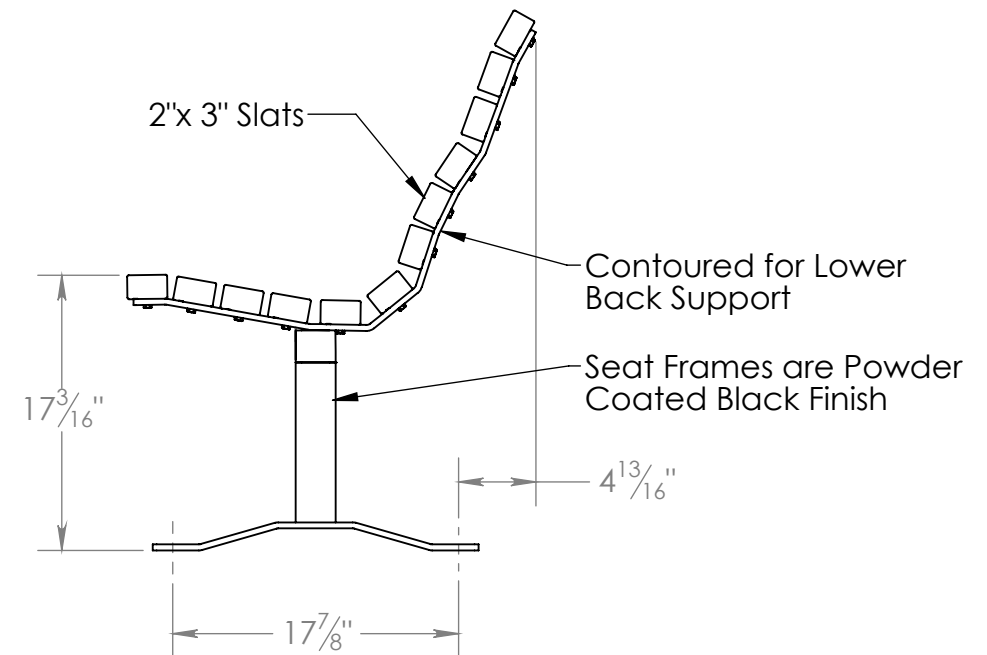
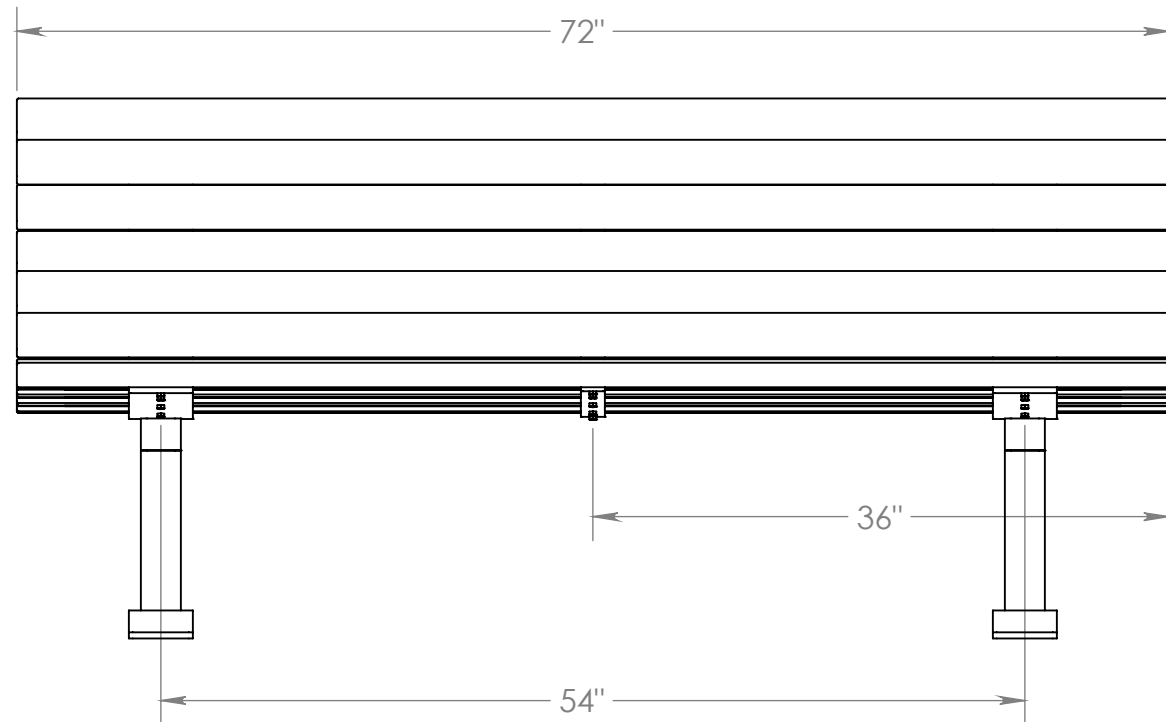
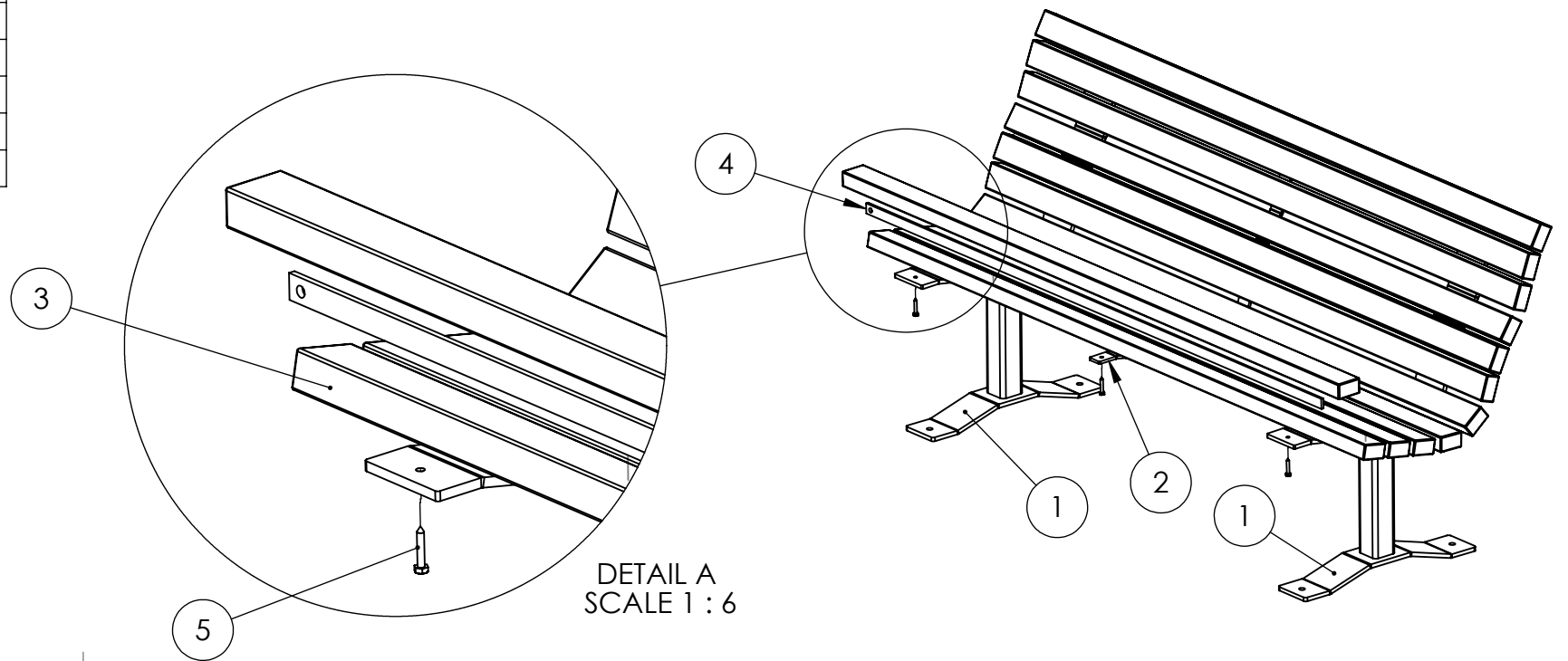


ITEM NO.	PART NUMBER	DESCRIPTION	QTY.
1	CBW-SA1	WINDSOR COUNTOR BENCH ASSY	2
2	CBW-227M	WINDSOR MIDDLE BENCH FRAME	1
3	6PBRPWS-7	2"x 3" RP Plank 72"	12
4	6IPBRP-48	REINFORCING BAR 66" RP	12
5	HLSCREW 0.2500x1.5	1/4"x1 1/2" Stainless Hex Head Lag	36

1. Planking is Installed Using 1/4"x 1 1/2" Hex Head Square Lag Screws. There are Pre -Drilled Holes in the Slats.
2. Reinforcing Bar (Item No. 4) is Pre-Installed at the Factory.
3. Standard Model Can Be Portable or Surface Mounted. If Surface Mount Option is used, Suggest Using 1/2" x 4" Compression Anchor Bolts in Concrete

SEE CATALOG FOR SLAT COLORS



GENERAL NOTES:

UNLESS OTHERWISE SPECIFIED:

DIMENSIONS ARE IN INCHES
TOLERANCES:
FRACTIONAL ± 1/32
BEND ± 1/2°
THREE PLACE DECIMAL ± .005
Do Not Scale Drawing

MATERIAL

	NAME	DATE
DRAWN	DAT	6/23/2014
CHECKED		
ENG APPR.		
MFG APPR.		
Last Saved	6/23/2014 4:00:27 PM	
COMMENTS:		

TITLE:		
DESC. 6' Windsor RP Bench Surface Mount		
S:\CADDRWGS\Solidworks\Benches\Contour & Flat\Windsor\		
SIZE B	PART NO. WS6LCBRP	REV

SHEET 1 OF 1