



Kay Park Recreation

Making People Places, People Friendly Since 1954!

Email us: sales@kaypark.com or Call us: (800)553-2476

1301 Pine St. PO. Box 477 Janesville, IA 50647

GENERAL SPECIFICATIONS:

MANUFACTURER'S QUALIFICATIONS

Manufacturer shall have a quality control program as he relies on this so as to insure that all steel meets all requirements as specified under physical requirements. All steel shall be manufactured by skilled workmen who have at least five years experience in similar work.

MANUFACTURING

Welding - Structural welding shall conform to the requirements of AWS D1.1, Structural Welding Code-Steel, 1998 Edition, published by the American Welding Society.

Welding Process - Welding process shall conform to the recommended practices and guidelines for Gas Metal Arc Welding listed in AWS C5.5, Gas Metal Arc Welding; Recommended Practices published by the American Welding Society.

All tolerances shall be within 1/8" of specified dimensions unless otherwise specified.

MATERIALS

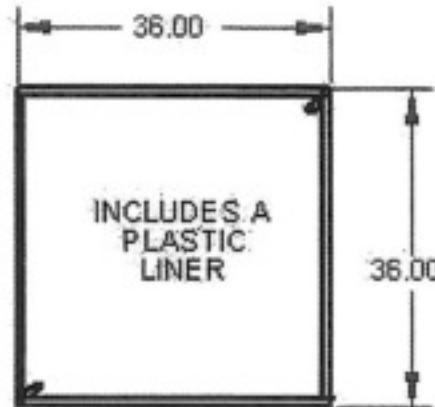
A36 Grade Steel, Pickling Process (Mill Scale Stripping), Permeated Oil Bath, Tensile Strength 58000-80000 psi and Yield Strength 36000 psi.

PHYSICAL CHARACTERISTICS

Fluoropolymer coated and coated per TT-C-490, then oven dried. Powder Coat is then applied to a thickness of 7-15 mils. Color is to be uniform throughout as approved by owner or specifier in accordance with manufacturer's recommendation.

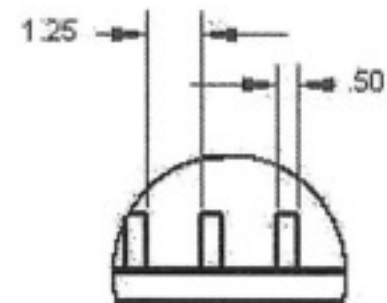
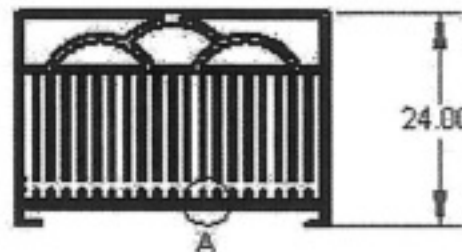
REQUIRED MATERIALS FOR APPROVAL

- A. Shop drawings with dimensions, general contractor components parts, assembly details and installation.
- B. Samples upon request for architect.
- C. Complete data on manufacturer's and technical information.



7/16" MOUNTING HOLE

DETAIL B
SCALE 1 : 4



DETAIL A
SCALE 1 : 4

MODEL: SSAP3624
WEIGHT: 300LBS