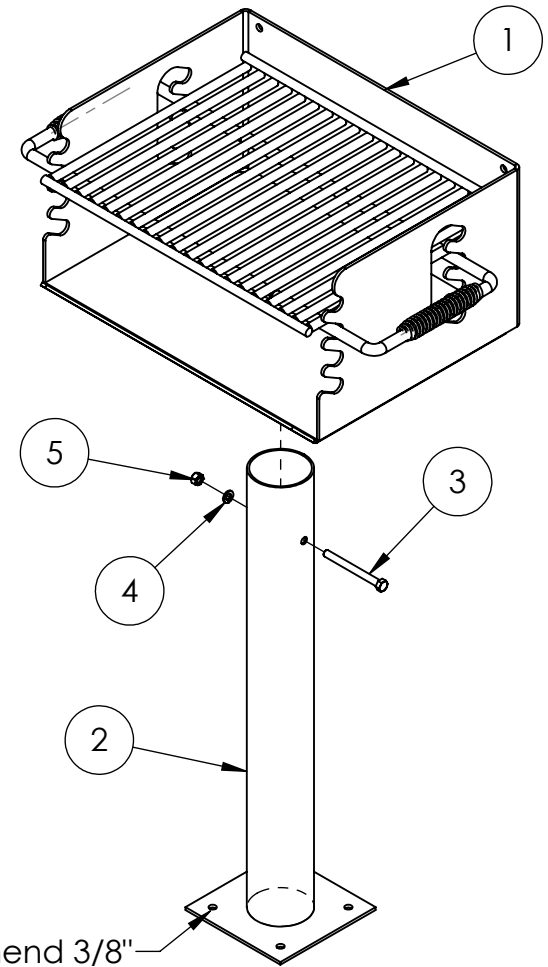
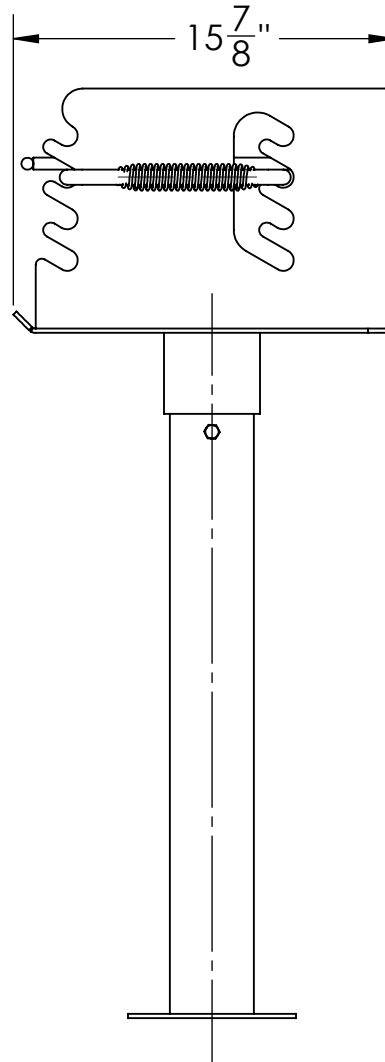
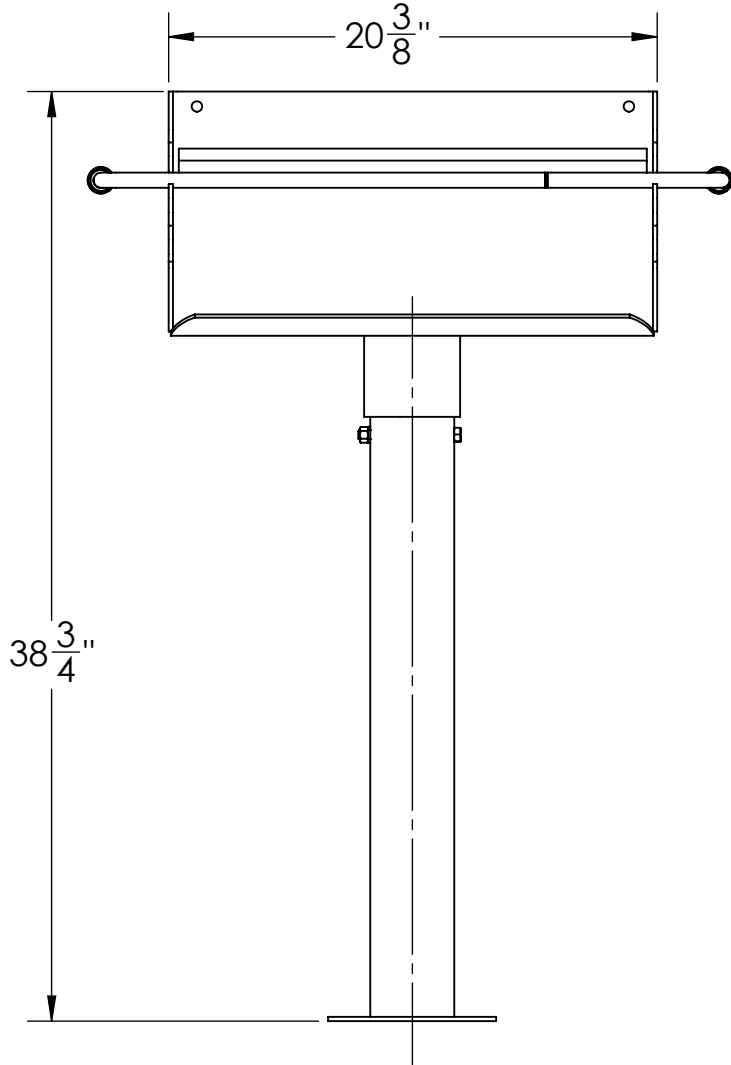


NO.	PART NUMBER	DESCRIPTION	MATERIAL	QTY.
1	35SF16-SA4	SF FINAL ASSEMBLY 3 1/2" PEDESTAL		1
2	35IFP-SMP	GRILL SURFACE MOUNT PEDESTAL BASE		1
3	HBOLT 0.3750-16x4x1-N	HEX HEAD BOLT 3/8"-16 x 4"	Zinc Plated Steel	1
4	LOCKW-3/8	LOCK WASHER 3/8"	Zinc Plated Steel	1
5	HNUT 0.3750-16-D-N	HNUT 0.3750-16-D-N		1



Recommend 3/8" Anchor Bolt At Least 3" Long To Secure Base To Concrete Surface

4" Bolt Goes Thru One Side of The Pedestal. Then Goes Thru The Hook In The Grill Sleeve and Out The Other Side. Secure With A Lock Washer And Nut.

GENERAL NOTES

**UNIT WEIGHT: 79.5 LBS.**

Built In House  
PATH TO PART OR ASSM - S:\CADDRWGS\Solidworks\Grills\SB & SF\

DIMENSIONS ARE IN INCHES  
TOLERANCES: LINEAR: ± 1/16  
ANGULAR: ± 1°



CONFIDENTIAL DRAWING.  
INFORMATION IS NOT TO BE COPIED OR  
DISCLOSED TO OTHERS WITHOUT  
CONSENT OF KAY INDUSTRIES.  
SPECIFICATIONS SUBJECT TO CHANGE  
WITHOUT NOTICE.

SHEET SIZE

**A**

SCALE

1:12

REV



**K Industries, Inc.**

DRAWN BY

DAT

10/16/2018

DESC:

PEDESTAL GRILL ADJUSTABLE GRATE WITH 3 1/2" PEDESTAL

APPROVED

MATL:

LAST SAVED

davet

10/16/2018

**PART NO: SF163.5SM**

Configuration - Default

10/16/2018 11:41:48

SHEET 1 OF 1