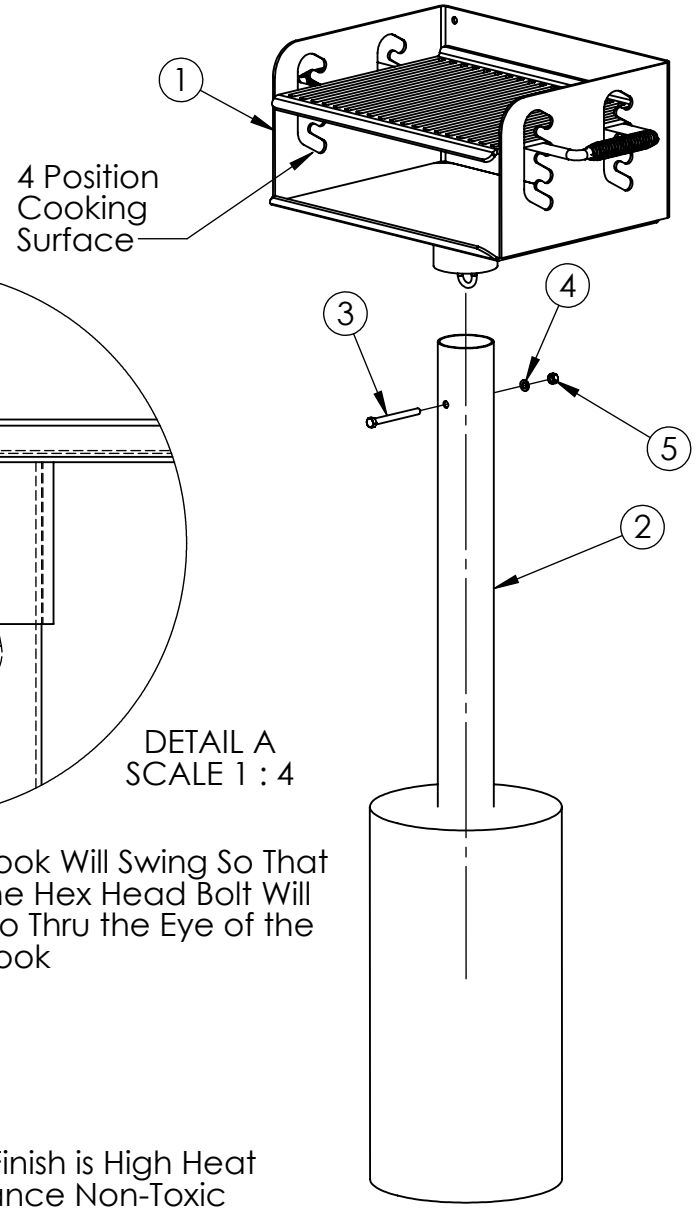
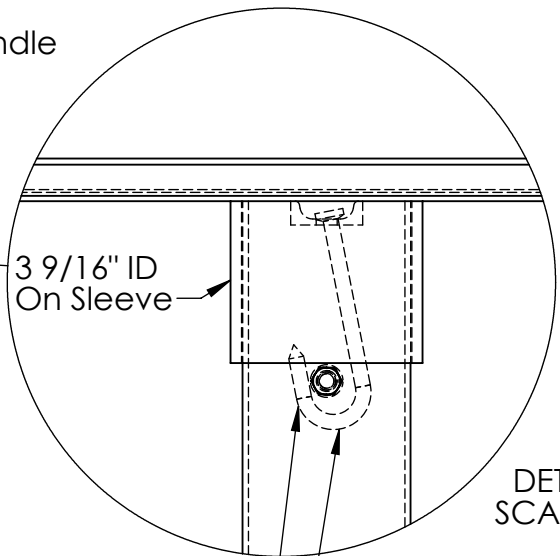
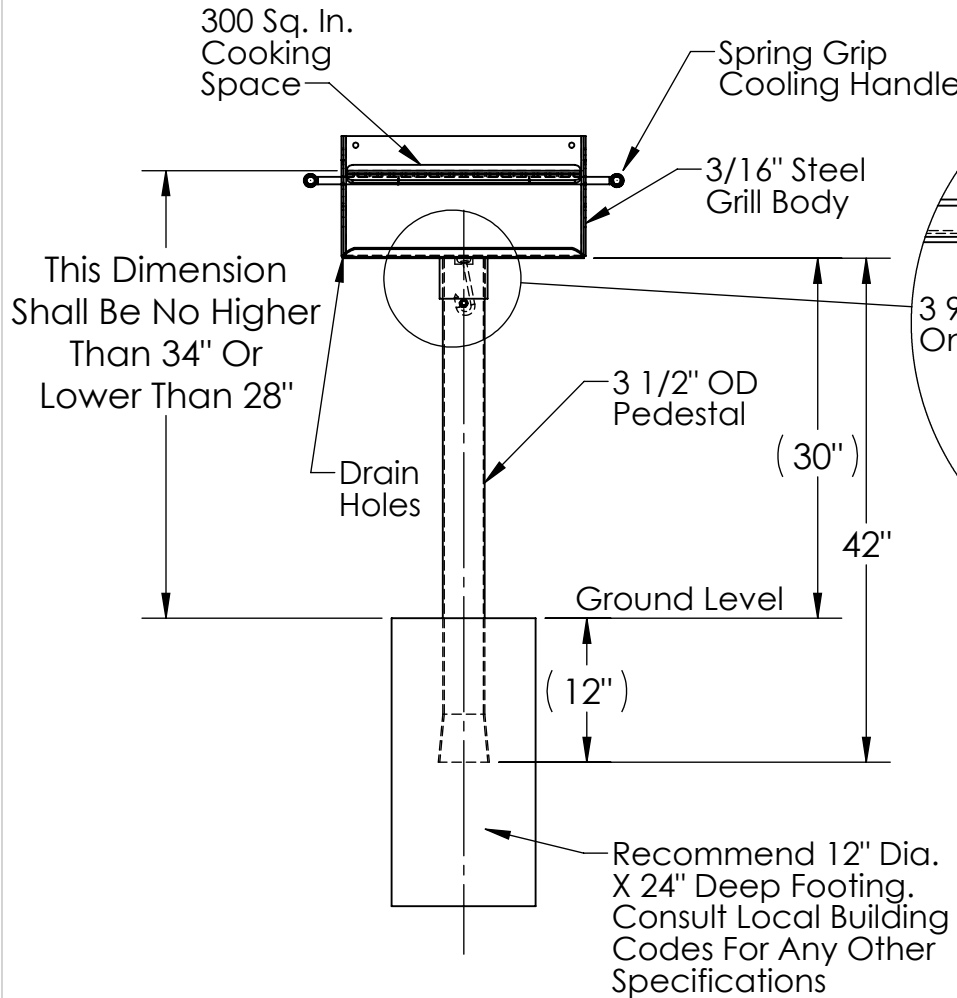


NO.	PART NUMBER	DESCRIPTION	MATERIAL	QTY.
1	35SBFI-SA4	FLAT IRON GRILL ASSEMBLY 3 1/2" PEDESTAL		1
2	35IFP-103G	3 1/2" GRILL PEDESTAL POST	3 1/2" OD. 11 GA ROUND MECH TUBING A-513	1
3	HBOLT 0.3750-16x4x1-N	HEX HEAD BOLT 3/8"-16 x 4"		1
4	LOCKW-3/8	LOCK WASHER 3/8"		1
5	HNUT 0.3750-16-D-N	3/8"-16 HEX NUT		1
6	Concrete Sono Tube	CONCRETE SONO-TUBE FOOTING	3,000 PSI CONCRETE NO FILLERS	1



Paint Finish is High Heat Resistance Non-Toxic Enamel

GENERAL NOTES	WGT:88 LBS.	DIMENSIONS ARE IN INCHES TOLERANCES: LINEAR: ± 1/16 ANGULAR: ± 1°		SHEET SIZE A	SCALE 1:24	REV		K Industries, Inc.
		CONFIDENTIAL DRAWING. INFORMATION IS NOT TO BE COPIED OR DISCLOSED TO OTHERS WITHOUT CONSENT OF KAY INDUSTRIES. SPECIFICATIONS SUBJECT TO CHANGE WITHOUT NOTICE.		DRAWN BY DAT	DATE 2/7/2018	DESC: PEDESTAL GRILL IN GROUND 3 1/2" POST FLAT IRON GRATE		
				APPROVED		MATL:		
				LAST SAVED davet	DATE 2/8/2018	PART NO: SB16FI35		
Built In House PATH TO PART OR ASSM - S:\CADDRWGS\Solidworks\Grills\SB & SF\		Configuration - Default		2/7/2018 16:16:41		SHEET 1 OF 1		