



www.kaypark.com

Special-shaped bollards can add security and aesthetic appeal to any setting.

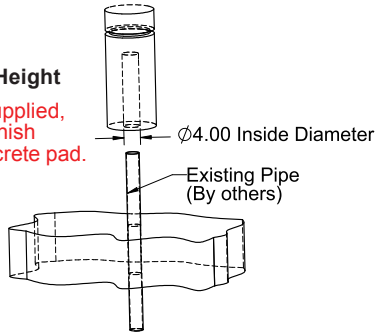
SECURITY BARRIERS
(Anchoring Options)

These round or cylinder shaped bollards are constructed of steel rebar encased in concrete to provide a strong appearance and help guide traffic flow. You can choose from a variety of textures, colors and finishes.

MOUNTING OPTIONS (Kay Park does not offer installation services.)

OPTION A
Hollow Core:
4" PVC x
Minimum 18" Height

*Bollard only supplied, customer to furnish piping and concrete pad.

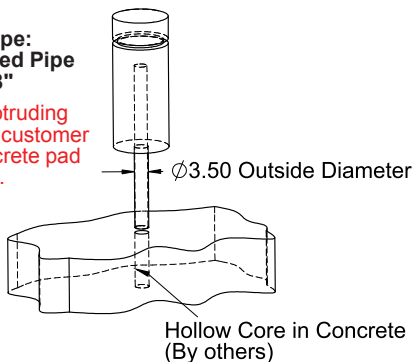


OPTION A: Hollow Core
4" PVC x Minimum 18" Height

Bollard is precast with hollow core. **The dimensions of this core are pre-determined by the contractor and need to be specified when ordering.** The existing pad, slab or sidewalk is cast with exposed vertical tubing or pipe to fit inside the core of the bollard. Before the bollard is set, epoxy, caulk or other bonding agent is to be applied to core and/or vertical pipe for securing purposes. The bollard is then set in place. bonding agent is to be applied to the rod and/or in the sleeves of the existing pad. The bollard is then set in place.

OPTION B
Protruding Pipe:
3.5" Galvanized Pipe
Protruding 18"

*Bollard w/ protruding pipe supplied, customer to furnish concrete pad w/ hollow core.



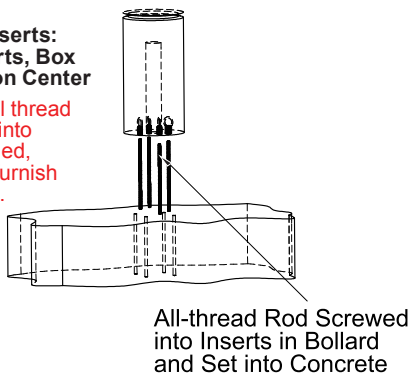
OPTION B: Protruding Pipe
3" Galvanized Pipe Protruding 18"

Additional charge of \$25.00 per foot of pipe.

The bollard is precast with a pipe or tube protruding from the bottom of the bollard. **The dimensions of the protruding pipe or tube are pre-determined by the contractor and need to be specified when ordering.** The existing pad, slab or sidewalk is cast with sleeve correlating to protruding pipe on the bottom of the bollard. Before the bollard is set, epoxy, caulk or other bonding agent is to be applied to either the tube or pipe, and/or the sleeves in the existing pad. The bollard is then set in place.

OPTION C
Threaded Inserts:
(4) 1/2" Inserts, Box
Pattern, 5" on Center

*Bollard w/ all thread rod screwed into inserts supplied, customer to furnish concrete pad.



OPTION C: Threaded Inserts
(4) 1/2" Inserts, Box Pattern, 5" on Center

The bollard is precast with a predetermined number and pattern of inserts into the bottom of the bollard. **The size and pattern of inserts are determined by the contractor and need to be specified when ordering.** The existing pad, slab or sidewalk is cast with sleeves correlating to the inserts in the bottom of the bollard. Threaded rods (included with the purchase) are then screwed into the inserts on the bottom of the bollard. Epoxy, caulk or other bonding agent is to be applied to the rod and/or in the sleeves of the existing pad. The bollard is then set in place.