



KAY PARK RECREATION

MAKING PLACES PEOPLE FRIENDLY • SINCE 1954

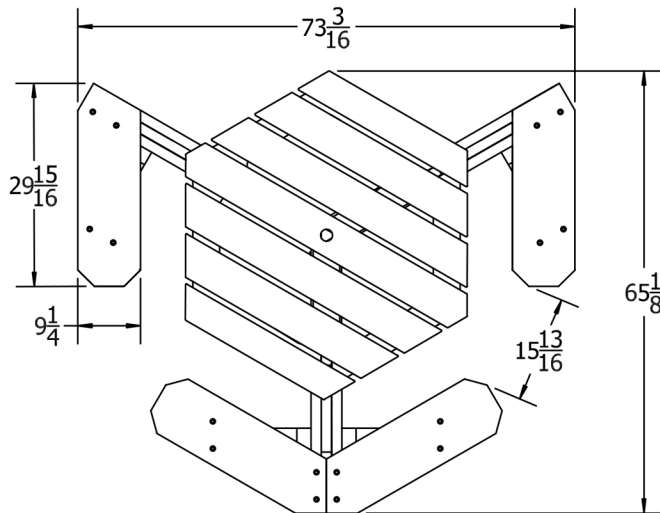
(800)553-2476 • sales@kaypark.com
1301 Pine St. Janesville, IA 50647

6ft Hex Ada Picnic Table

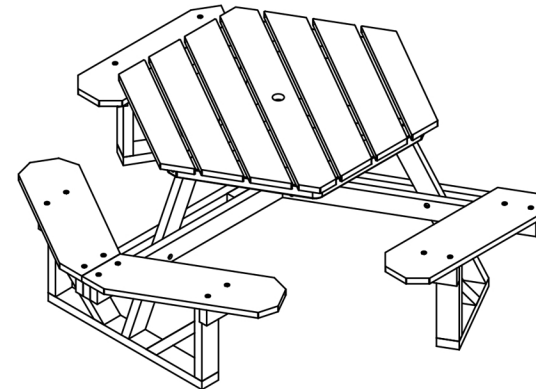
Model #: **JPHTADA**

Weight: **Lbs**

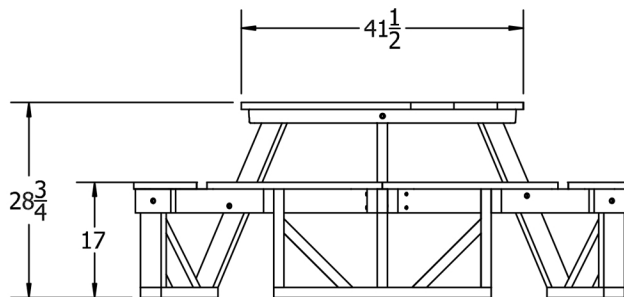
Material: **Recycled Plastic**



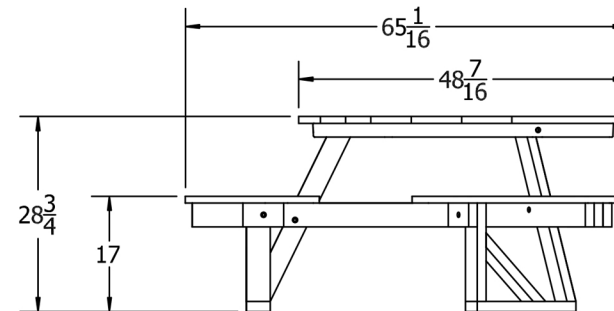
TOP VIEW



3D ISOMETRIC VIEW



FRONT VIEW



SIDE VIEW

 CED
 GRA
 GRE
STANDARD COLORS

INSERT COLOR CODE IN PRODUCT NUMBER
CEDAR= CED, GRAY= GRA, GREEN= GRE,
EXAMPLE: 6FT. CEDAR HEX ADA PICNIC TABLE =
PB 6HEXADACED

6 ft. Hex ADA Picnic Table

© COPYRIGHT 2013-2033

THIS COPYRIGHTED MATERIAL IS THE PROPERTY OF FROG FURNISHINGS AND SHALL NOT BE REPRODUCED, PUBLISHED OR DISCLOSED TO OTHERS WITHOUT AUTHORIZATION AND CANNOT BE USED IN ANY WAY AGAINST OR DETRIMENTAL TO JAYHAWK PLASTICS INC. OLATHE, KANSAS USA

Frog Furnishings
15750 S. Keeler Terrace
Olathe, KS 66062
www.frogfurnishings.com

NOT TO SCALE
Date: 02/2019

