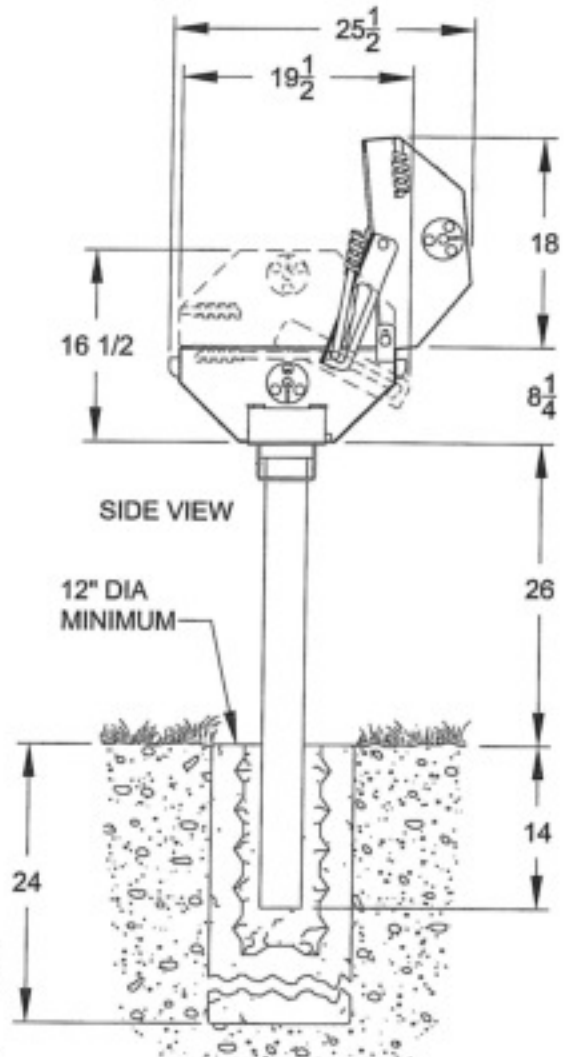
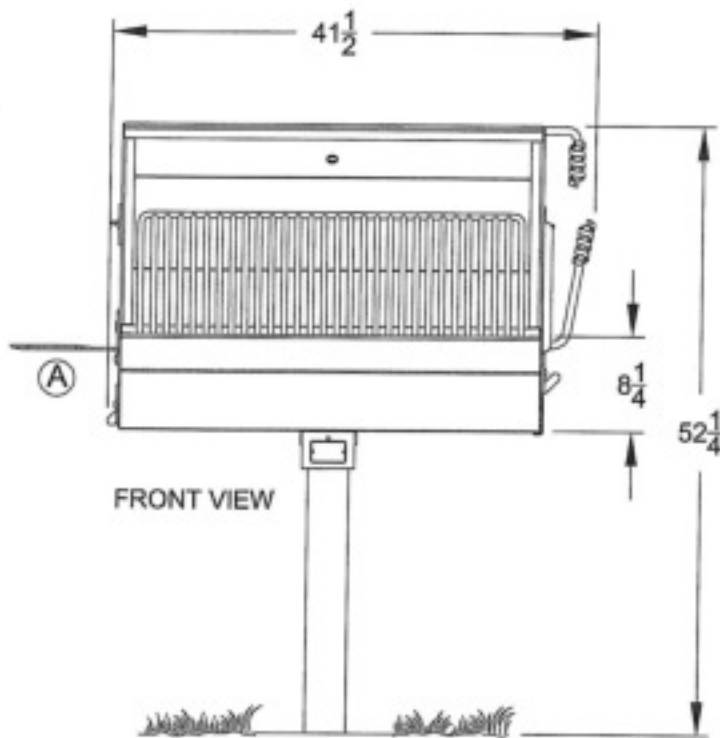
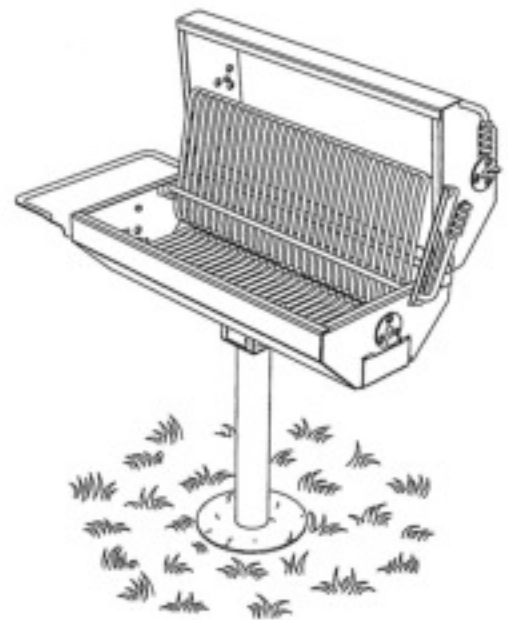
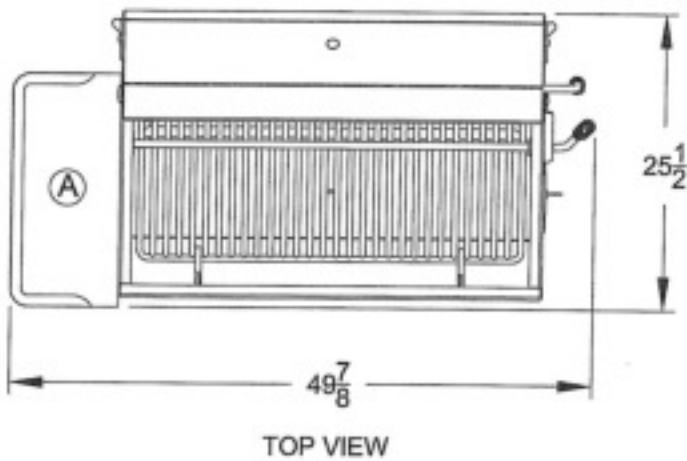


(A) OPTIONAL UTILITY SHELF  
 - ADD /S TO MODEL NUMBER



NOTE:  
 GRILL SHOWN WITH COVER OPEN AND COOKING GRATE  
 TIPPED UP TO SHOW LOWER FIRE GRATE

NOTE:  
 LOCAL SOIL CONDITIONS MAY  
 REQUIRE A LARGER FOOTING

ALL DIMENSIONS IN INCHES

Kay Park Rec.  
 P.O. Box 477  
 Janesville, IA

TITLE EC81941 COVERED PARK GRILL WITH B2 BASE - SHOWN  
 WITH OPTIONAL SIDE SHELF

DRAWN BY MGB

DATE 11-2-01

DWG. NO. AI-1446