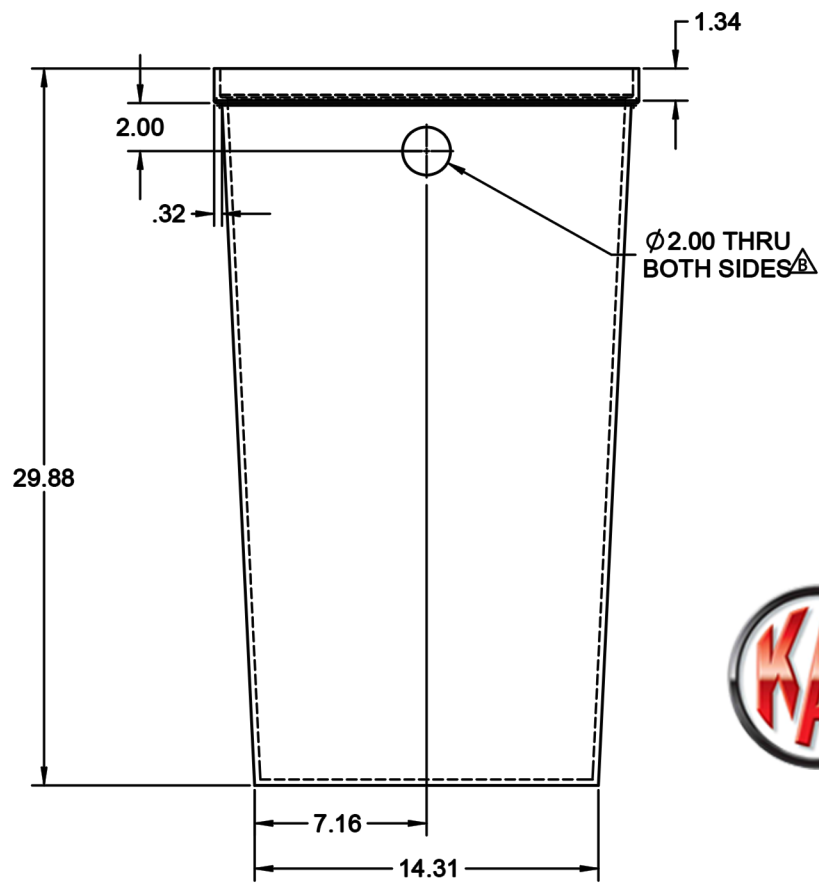
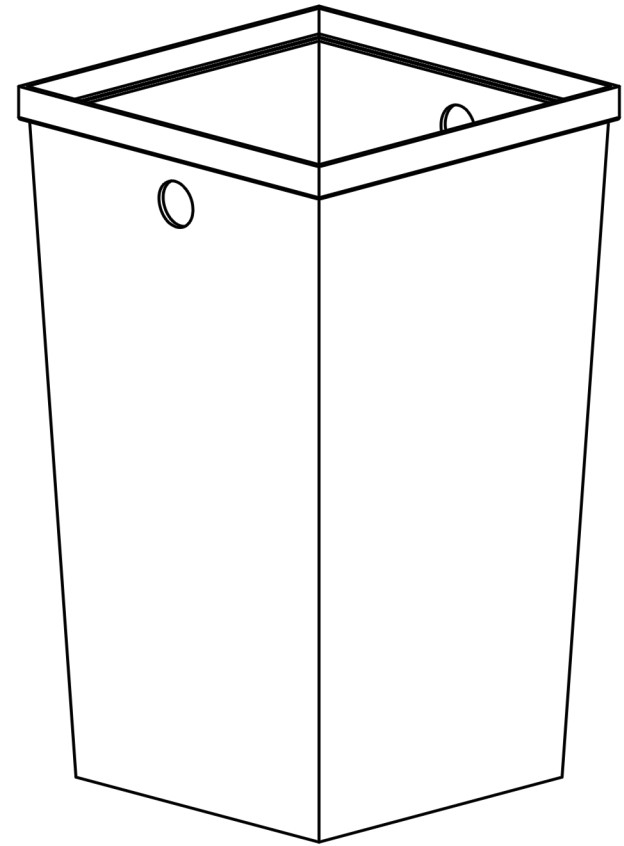
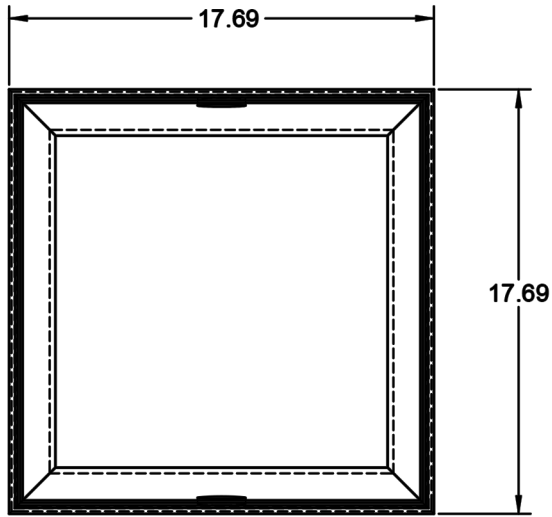




REVISIONS			
REV.	DESCRIPTION OF CHANGE	DATE	DESIGNER
A	ORIGINAL ISSUE		
B	ADD 2" HOLES	1/9/2004	J.REYNOLDS



# Kay Park Recreation

**Making People Places, People Friendly Since 1954!**

Email us: [sales@kaypark.com](mailto:sales@kaypark.com) or Call us: (800)553-2476

**1301 Pine St. PO. Box 477 Janesville, IA 50647**

TREATMENT: NONE	MATERIAL: PLASTIC	APPROVALS J. REYNOLDS	DATE 1/29/2000
TOLERANCES INCH / MILLIMETER	WEIGHT: XXXLBS	CHECKED: J. REYNOLDS	DATE 1/29/2000
XXX [X.X] ± .01 [0.01]	MODEL: 200-0289	SIZE PART NO. C TCSLN	REV B
XX [X.XX] ± .005 [0.05]	SIZE: LxWxH	SCALE: 1:4	SHEET 1 OF 1
XX [X.X] ± .005 [0.05]			
XX [X.X] ± .005 [0.05]			

LINER, TRASH