



KAY PARK RECREATION

MAKING PLACES PEOPLE FRIENDLY • **SINCE 1954**

(800)553-2476 • sales@kaypark.com
1301 Pine St. Janesville, IA 50647

Drinking Fountain

Model #: **CDF1BCF**

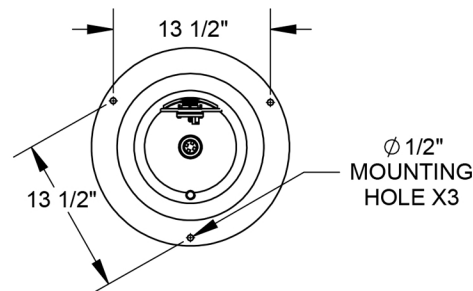
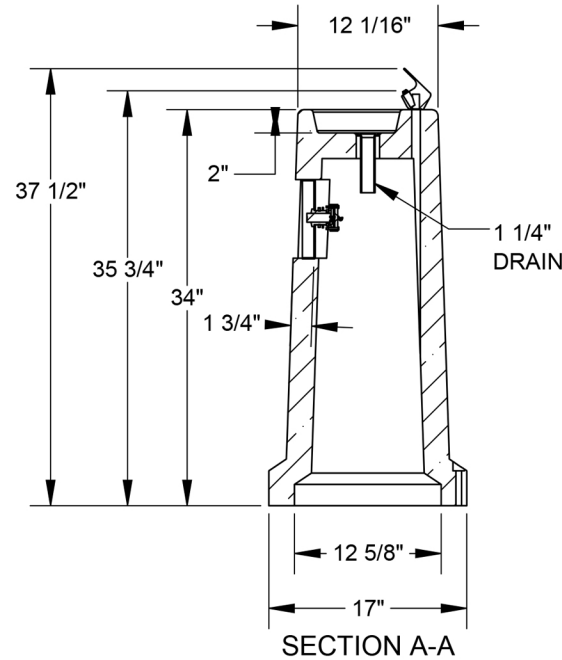
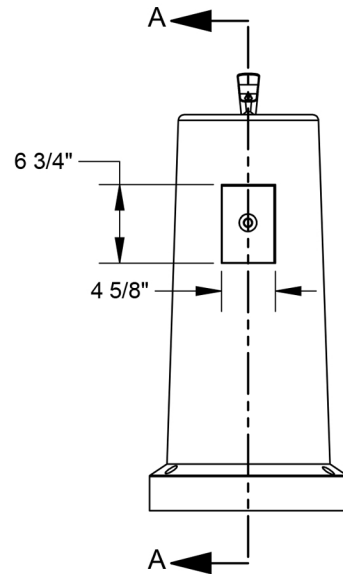
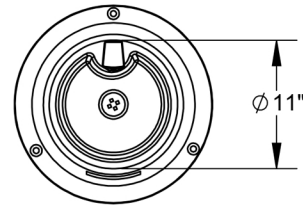
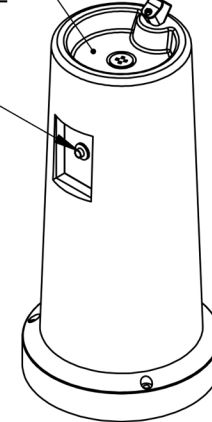
Weight: **210 Lbs**

Material: **Concrete**

BUBBLER

CONCRETE BOWL

FREEZE PROOF
PUSH BUTTON



APPROVED MANUFACTURER

Petersen Concrete Leisure Products
Division of Petersen Mfg. Co., Inc.
2741 Hwy 30
Denison, IA 51442 800-832-7383

(800)553-2476 • sales@kaypark.com • 1301 Pine St. Janesville, IA 50647

PROPRIETARY AND CONFIDENTIAL

THE INFORMATION CONTAINED IN THIS
DRAWING IS THE SOLE PROPERTY OF
PETERSEN MFG. CO.. ANY
REPRODUCTION IN PART OR AS A WHOLE
WITHOUT THE WRITTEN PERMISSION OF
PETERSEN MFG. CO. IS PROHIBITED.

