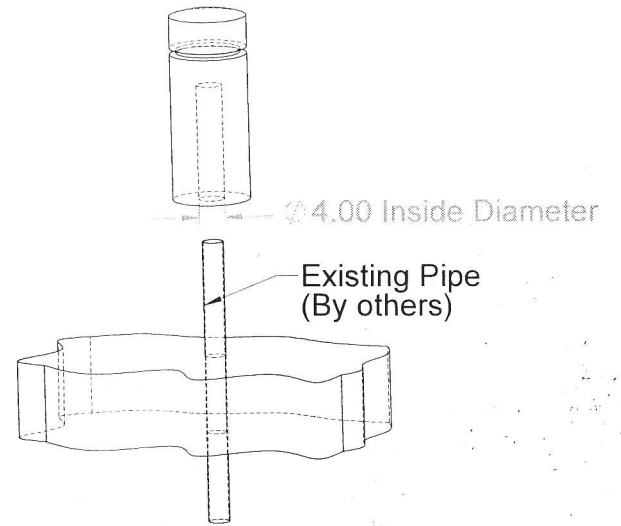
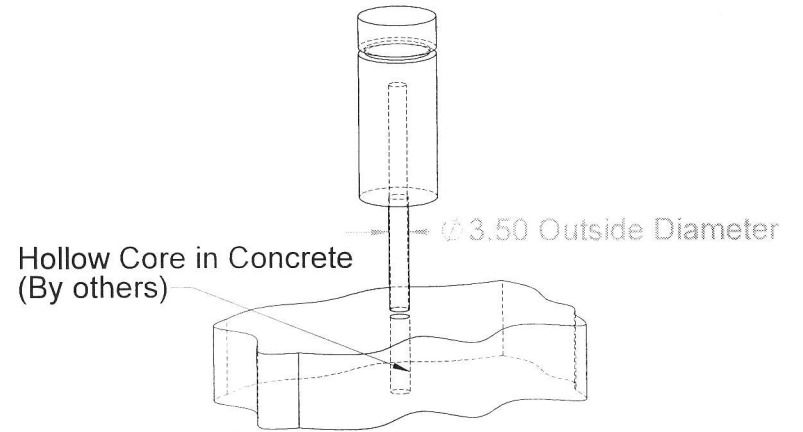


Petersen Bollard Models Anchoring Options

Type A - Hollow Core: 4" PVC x Minimum 18" Height



Type B - Protruding Pipe: 3" Galvanized Pipe Protruding 18"



Type C - Threaded Inserts: (4) 1/2" Inserts, Box Pattern, 6" on Center

