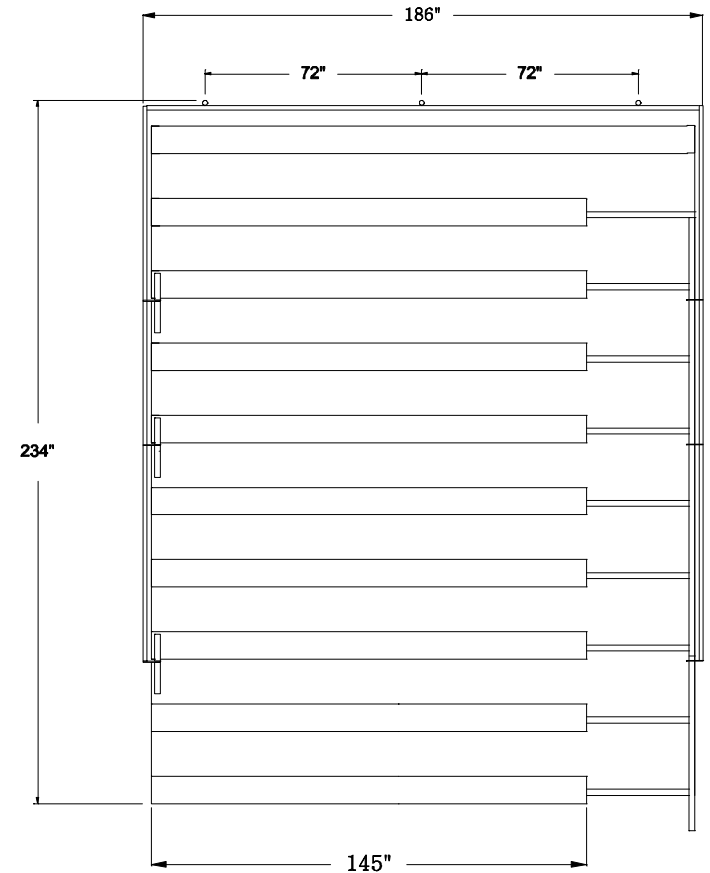
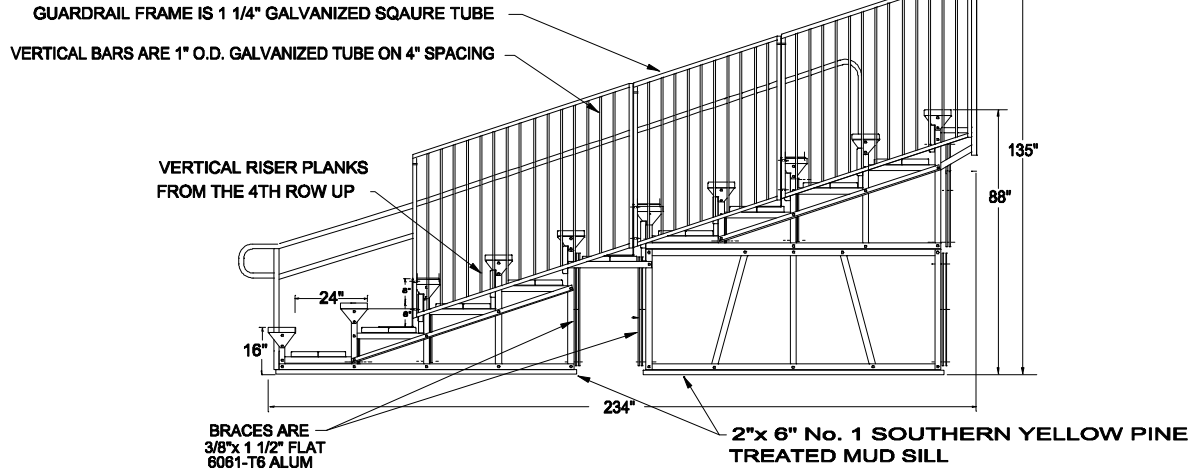


KAY PARK MODEL BLA10 w/V4 & F4 OPTIONS

PLANKING AVAILABLE
NOMINAL 2"x 10"x .078" THICK 6063 T6 ALUMINUM ALLOY AVAILABLE IN,
SEAT PLANKS ARE ANODIZED 204-R1, FOOT PLANKS ARE MILL FINISH.
15', 21' AND 27' AS ONE CONTINUOUS PIECE.

FRAME IS FABRICATED OF 2"x 2"x 3/16" 6061-T6 ALUMINUM ANGLES
"X" BRACES ARE FABRICATED OF 3/8"x 1 1/2" 6061-T6 ALUMINUM FLATS
ALL PIECES ARE JOINED BY 1/2" DIA. ZINC PLATED BOLTS.
WE USE BOLTS RATHER THAN WELDING TO AVOID STRESS CRACKING OF THE WELDS.
SEAT BRACKETS ARE FABRICATED OF 1/8" 6061-T6 ALUMINUM SHEET
ALL BLEACHERS HAVE FRAMES ON 6' CENTERS
WITH 18" OF PLANK OVERHANG ON EACH END.
15' HAVE 3 FRAMES.

THESE BLEACHERS ARE DESIGNED TO BE IN COMPLIANCE WITH THE IBC 2012 AND ICC-300 CODES
 WITH THE EXCEPTION OF ADA



KAY PARK-REC CORP.
1301 PINE ST.
P.O. BOX 477
JANESVILLE, IA 50647-0477

BLA10A15V4F4 36EAHR

Seats 82