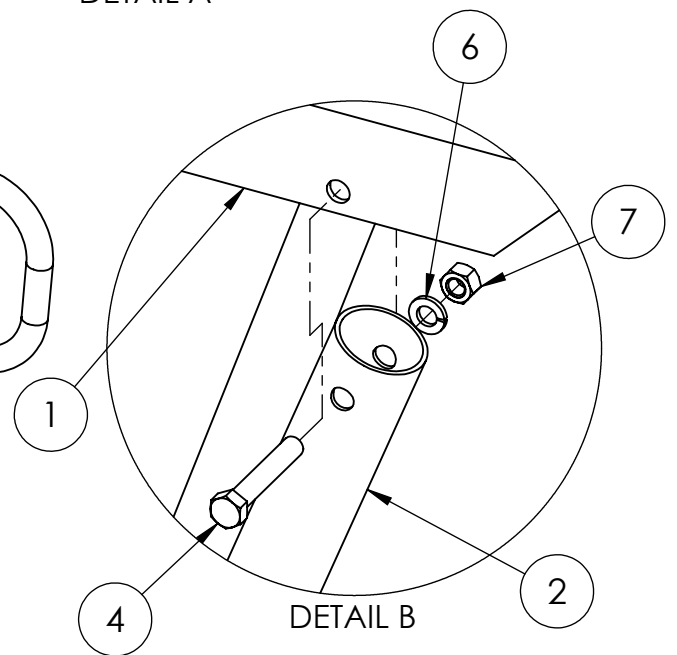
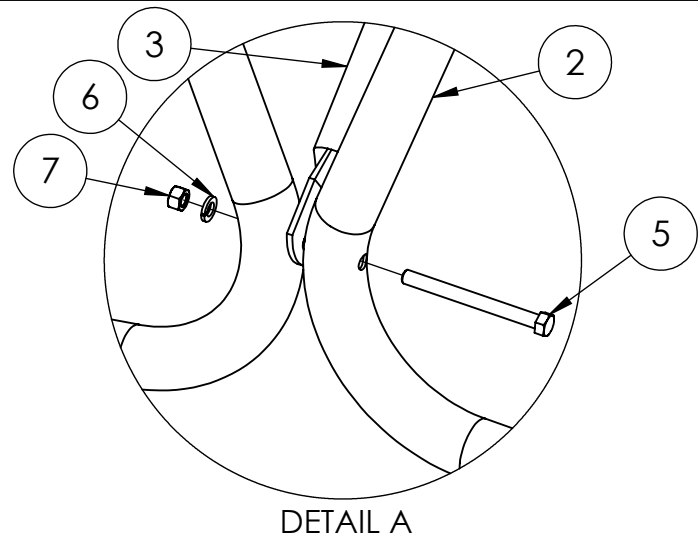
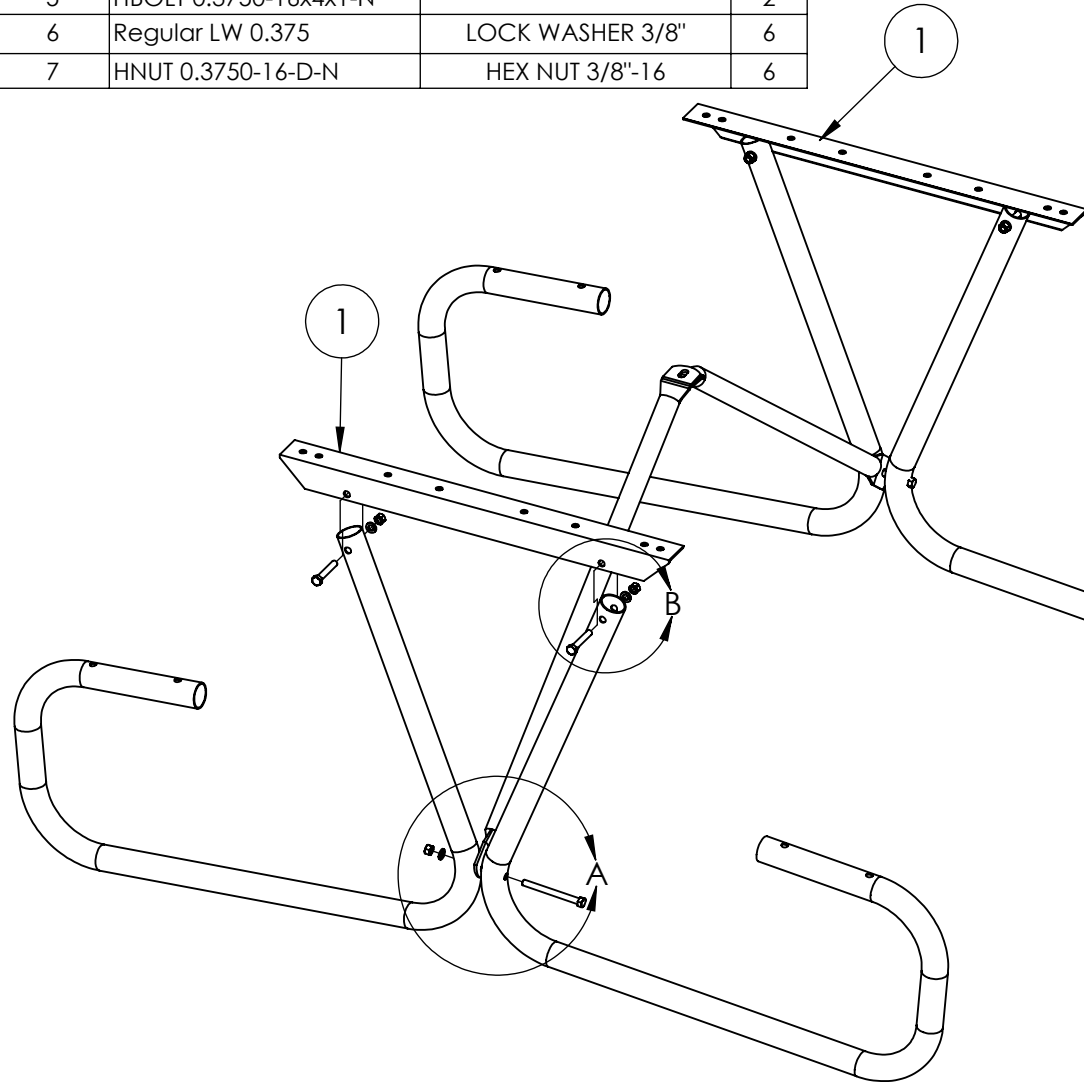
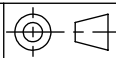


ITEM NO.	PART NUMBER	DESCRIPTION	QTY.
1	IBG-2	BG and 2BG TOP CLEAT	2
2	BG-1	BG TABLE LEG 1 5/8" OD	4
3	BG-5	1 5/16" OD GALV TUBE .083 WALL	2
4	HBOLT 0.3750-16x2.25x1-N	HBOLT 0.3750-16x2.25x1-N	4
5	HBOLT 0.3750-16x4x1-N		2
6	Regular LW 0.375	LOCK WASHER 3/8"	6
7	HNUT 0.3750-16-D-N	HEX NUT 3/8"-16	6



GENERAL NOTES

DIMENSIONS ARE IN INCHES
TOLERANCES: LINEAR: ± 1/16
ANGULAR: ± 1°



SHEET SIZE
A

SCALE
1:12

REV



Kay Park Rec.

CONFIDENTIAL DRAWING.
INFORMATION IS NOT TO BE COPIED OR
DISCLOSED TO OTHERS WITHOUT
CONSENT OF KAY INDUSTRIES.
SPECIFICATIONS SUBJECT TO CHANGE
WITHOUT NOTICE.

DRAWN BY
JNB

SCALE
1:12

REV
6/1/2017

DESC: 6' BG TABLE/ WITH VP SEATS AND TOP

APPROVED

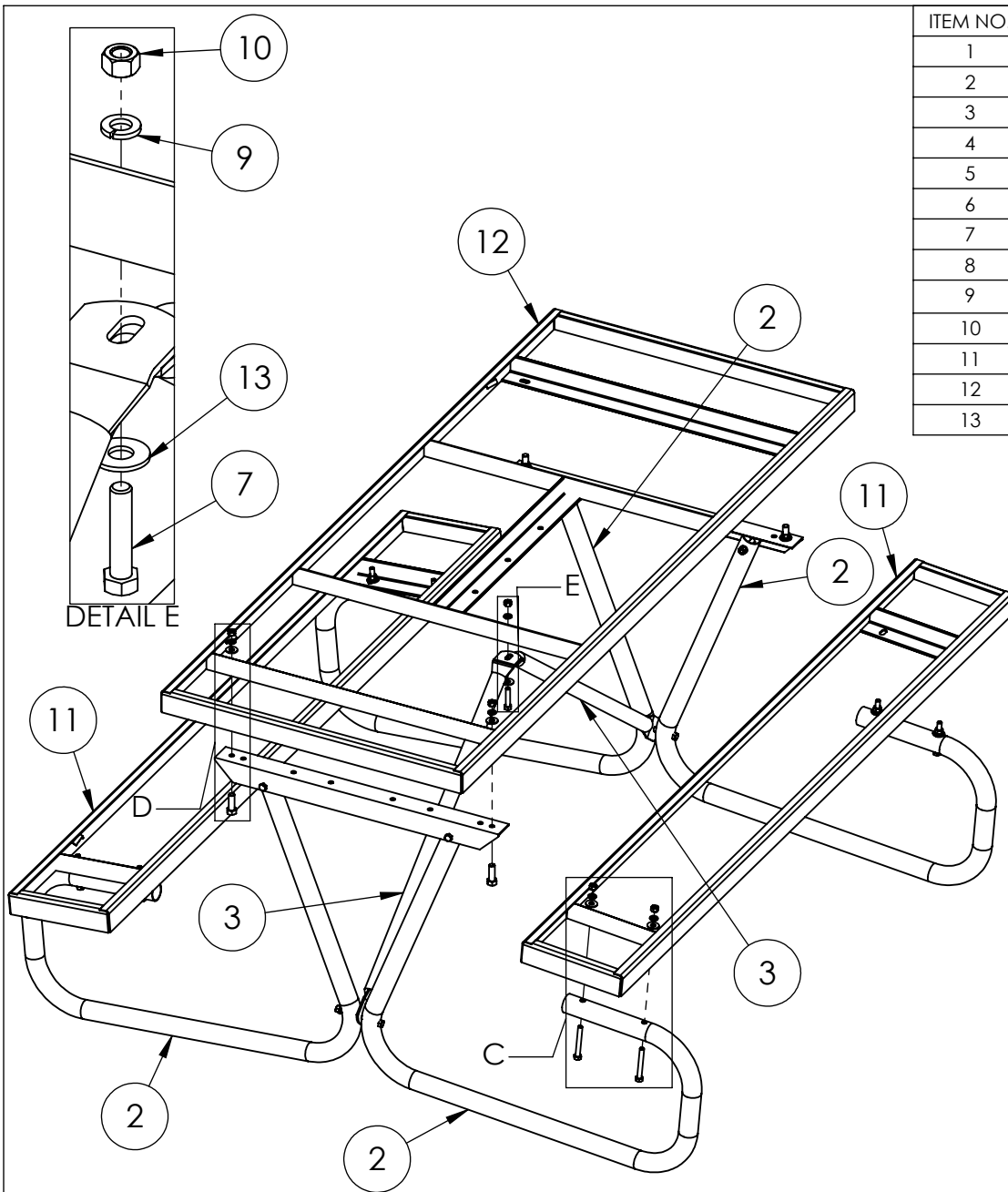
MATL:

LAST SAVED

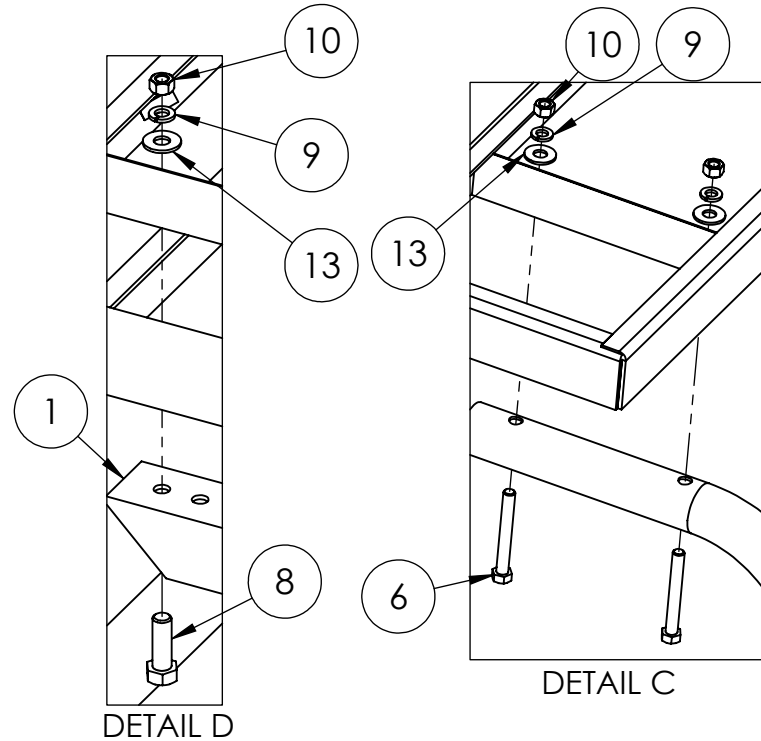
johnb

6/1/2017

PART NO: 6BGVPG



ITEM NO.	PART NUMBER	DESCRIPTION	QTY.
1	IBG-2	BG and 2BG TOP CLEAT	2
2	BG-1	BG TABLE LEG 1 5/8" OD	4
3	BG-5	1 5/16" OD GALV TUBE .083 WALL	2
4	HBOLT 0.3750-16x2.25x1-N	HBOLT 0.3750-16x2.25x1-N	4
5	HBOLT 0.3750-16x4x1-N		2
6	HBOLT 0.3750-16x3x1-N	HEX HEAD BOLT 3/8"-16x 3"	8
7	HBOLT 0.3750-16x1.75x1-N	HEX HEAD BOLT 3/8"-16x 1 3/4"	1
8	HBOLT 0.5000-13x1.5x1.25-N	HEX BOLT 1/2"-13x 1 1/2"	4
9	Regular LW 0.375	LOCK WASHER 3/8"	19
10	HNUT 0.3750-16-D-N	HEX NUT 3/8"-16	19
11	6IV-8	6' VP Seat	2
12	6IPTV-9	VP 6' EXPANDED METAL TABLE TOP	1
13	Preferred Wide FW 0.375	FLAT WASHER 3/8" WIDE	13



GENERAL NOTES

DIMENSIONS ARE IN INCHES
 TOLERANCES: LINEAR: ± 1/16
 ANGULAR: ± 1°

CONFIDENTIAL DRAWING.
 INFORMATION IS NOT TO BE COPIED OR
 DISCLOSED TO OTHERS WITHOUT
 CONSENT OF KAY INDUSTRIES.
 SPECIFICATIONS SUBJECT TO CHANGE
 WITHOUT NOTICE.

SHEET SIZE	SCALE	REV
A	1:15	
DRAWN BY	JNB	6/1/2017
APPROVED		
LAST SAVED	johnb	6/1/2017



Kay Park Rec.

DESC: 6' BG TABLE/ WITH VP SEATS AND TOP

MATL:

PART NO: 6BGVPG