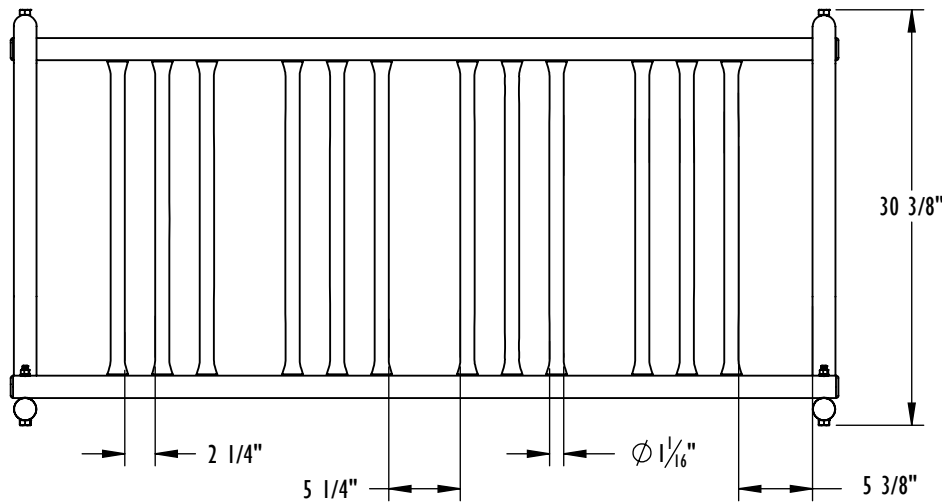
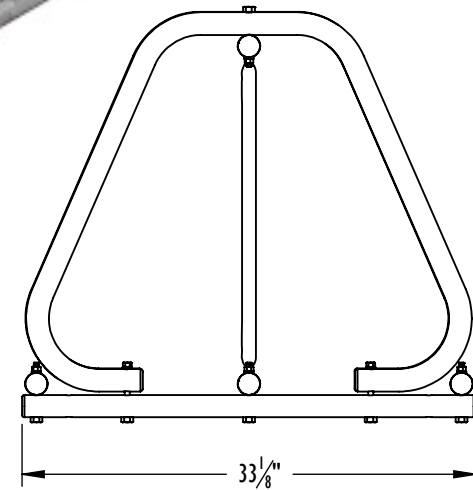


1.66"ODx 14ga (.083) GALV.TUBE



8 SPACES (4 EACH SIDE)
ALL WELDS ARE CLEANED, COLD GALVANIZED & PAINTED



 **Kay Park** WWW.KAYPARK.COM SALES@KAYPARK.COM
800-553-2476 JANESVILLE, IA

DESC. 5' DOUBLE "A" FRAME BIKE RACK (GALV.TUBE FRAME)

MODEL NUMBER. 5052

WT. 83 lbs

DRAWN BY PAVEL DATE 11/29/2011 Sheet 1 of 1

SCALE NONE

CONFIDENTIAL DRAWING AND INFORMATION IS NOT TO BE COPIED OR DISCLOSED TO OTHERS WITHOUT THE CONSENT OF KAY PARK. SPECIFICATIONS ARE SUBJECT TO CHANGE WITHOUT NOTICE.