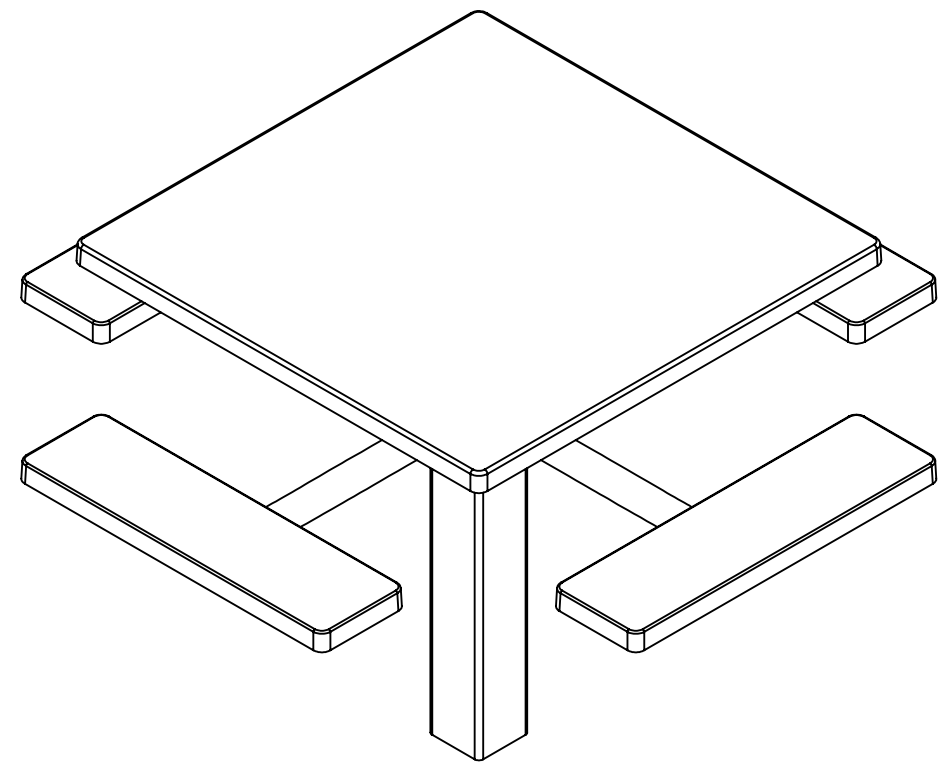


1/2"x 1 1/4" HeX Head Bolt with Flanged Nut Inside the Tubing



CONFIDENTIAL DRAWING AND INFORMATION IS NOT TO BE COPIED OR DISCLOSED TO OTHERS WITHOUT THE CONSENT OF KAY PARK. SPECIFICATIONS ARE SUBJECT TO CHANGE WITHOUT NOTICE.

GENERAL NOTES:		UNLESS OTHERWISE SPECIFIED:		NAME	DATE		
		DIMENSIONS ARE IN INCHES		DRAWN	DAT	6/17/2014	TITLE:
		TOLERANCES:		CHECKED			
		FRACTIONAL ± 1/32		ENG APPR.			DESC. SINGLE POST SQUARE TABLE
		BEND ± 1/2°		MFG APPR.			FIBERGLASS-IN GROUND PEDESTALS
		THREE PLACE DECIMAL ± .005		Last Saved	6/17/2014 1:41:09 PM		S:\CADDRWGS\Solidworks\Tables\SPT\
		Do Not Scale Drawing		COMMENTS:			
		MATERIAL					SIZE
							PART NO.
							4SPTGF
							REV
		SHEET 1 OF 2					
Path to Part or Assy - 4SPTGF		S:\CADDRWGS\Solidworks\Tables\SPT\		Square In Ground (Frame)			

