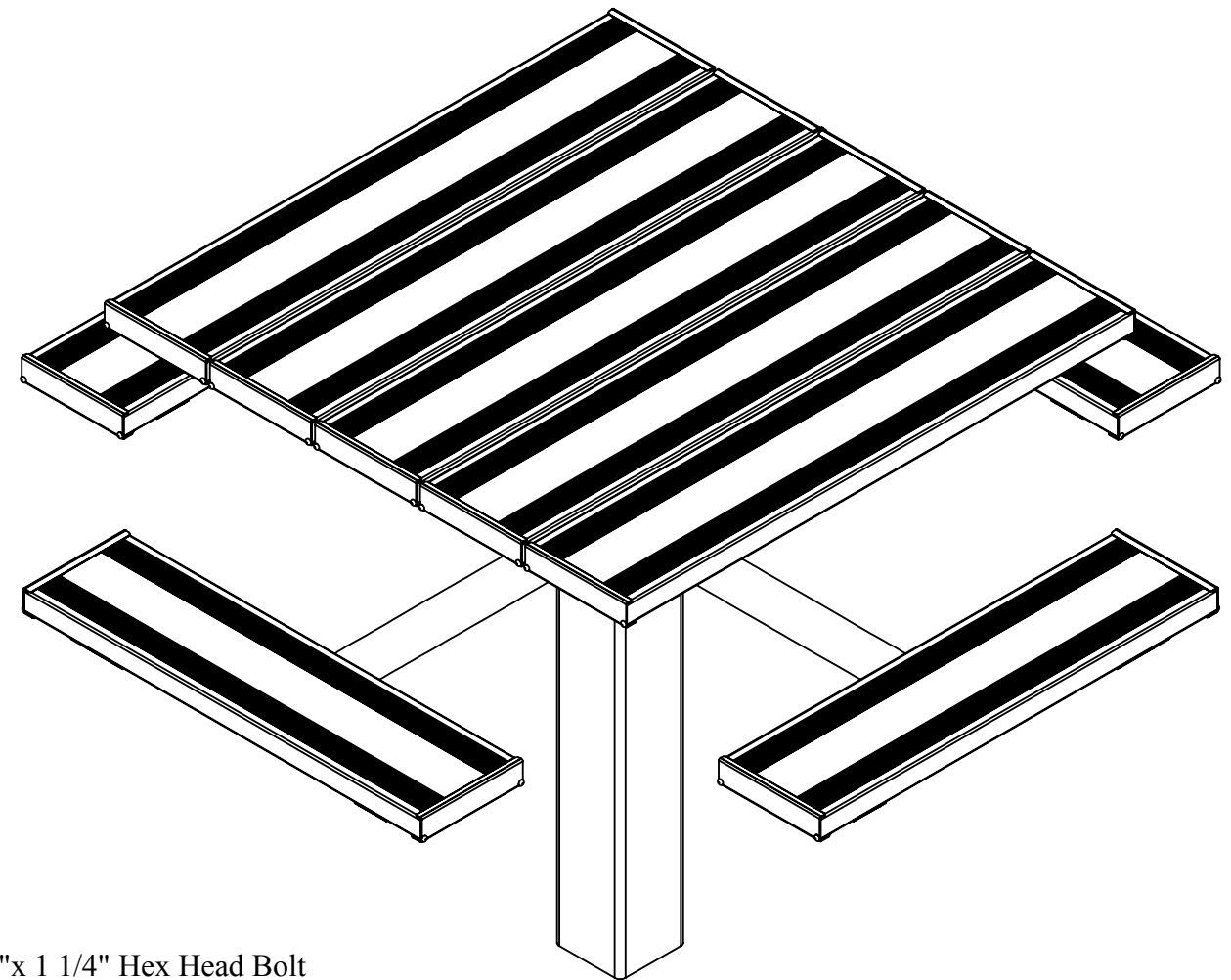
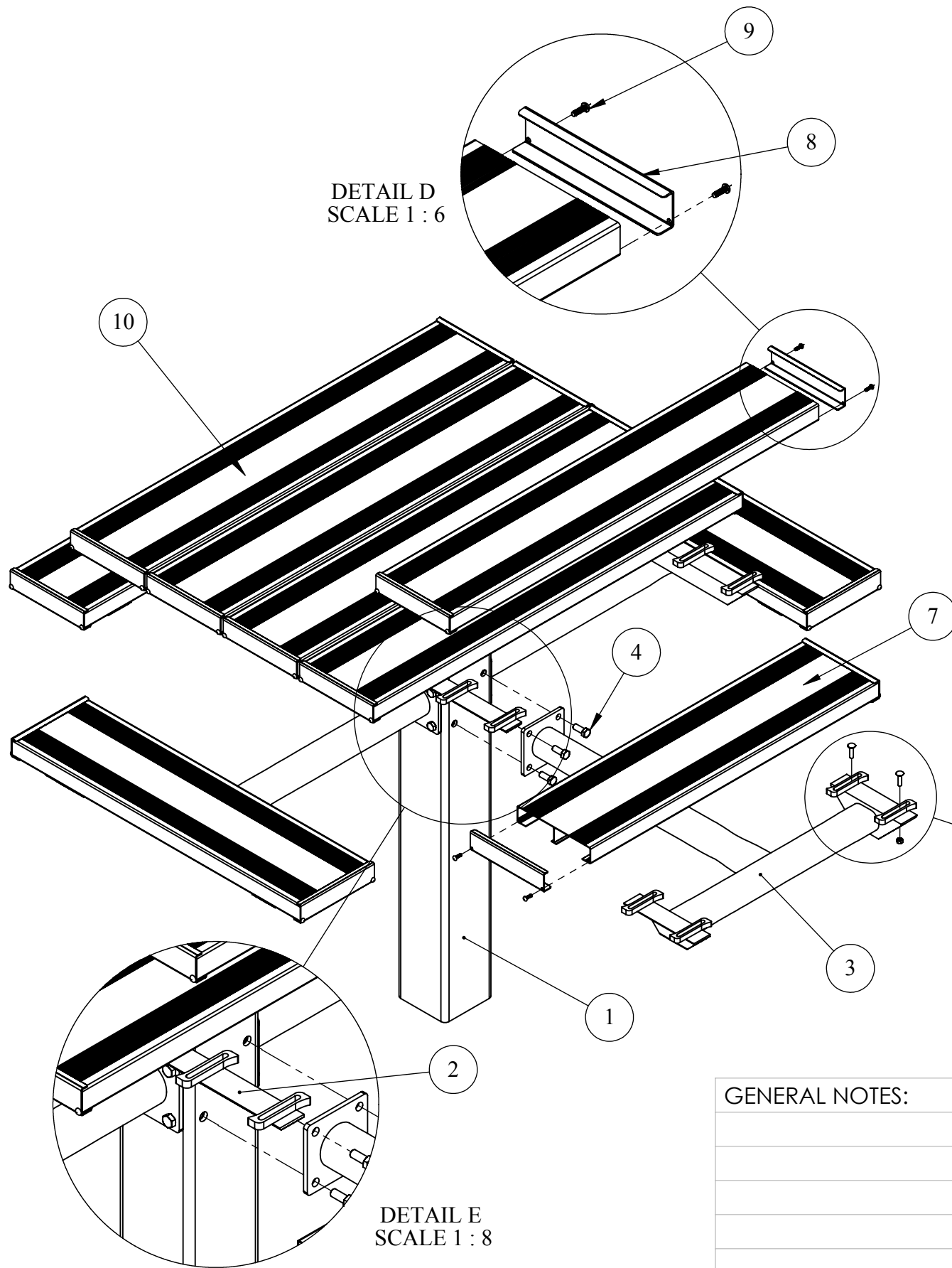


1/2"x 1 1/4" Hex Head Bolt with Flanged Nut on the Inside of the Tubing



CONFIDENTIAL DRAWING AND INFORMATION IS NOT TO BE COPIED OR DISCLOSED TO OTHERS WITHOUT THE CONSENT OF KAY PARK. SPECIFICATIONS ARE SUBJECT TO CHANGE WITHOUT NOTICE.

GENERAL NOTES:		UNLESS OTHERWISE SPECIFIED:		NAME	DATE		TITLE: Kay Park Rec	
		DIMENSIONS ARE IN INCHES TOLERANCES: FRACTIONAL ± 1/32 BEND ± 1/2° THREE PLACE DECIMAL ± .005 Do Not Scale Drawing		DRAWN	DAT		6/12/2014	DESC. SINGLE POST SQUARE TABLE With ALUMINUM PLANKS
		MATERIAL		CHECKED			S:\CADDRWGS\Solidworks\Tables\SPT\Tables\	
				ENG APPR.			SIZE B	
				MFG APPR.			PART NO. 4SPTGA	
				Last Saved	6/13/2014 9:47:28 AM		REV	
				COMMENTS:			Without Concrete Sono Tube	
		SHEET 1 OF 2						
Path to Part or Assy - 4SPTGA		S:\CADDRWGS\Solidworks\Tables\SPT\Tables\						



DETAIL D  
SCALE 1 : 6

DETAIL C  
SCALE 1 : 6

DETAIL E  
SCALE 1 : 8

ITEM NO.	PART NUMBER	DESCRIPTION	Without Concrete Sono Tube/QTY.
1	4SPT-103	4SPT - PEDESTAL POST GALV	1
2	4SPTW-SA1	4SPT-Top Arm Assy Wood-Alum	2
3	4SPT-SA2	4SPT-SEAT ARM ASSEMBLY GALV	4
4	HFBOLT 0.5-13x1.25x1.25-N	1/2"-13 x 1 1/4" HEX HEAD BOLT	24
5	HNUIT 0.5000-13-D-N	1/2"-13 FLANGED NUT	24
6	IA-12	Aluminum 2" x 10" Plank Clip	36
7	3SQA-7	2"x10" 36" Alum Plank Anodized	4
8	IA-10	ALUM 2x10 END CAPS 9 1/8"	18
9	DRIVES-3/4	DRIVER SCREW 3/4"	36
10	4SQA-7	2"x 10" 45.875" Alum Plank Anodized	5
11	RHSNBOLT 0.3125-18x1.25x1.25-N	5/16"-18 x 1 1/4" ROUND HEAD CARRIGE BOLT	36
12	HNUIT 0.3125-18-D-N	5/16"-18 FLANGED NUT	36

**CONSULT LOCAL BUILDING CODES FOR CONCRETE INSTALLATION SPECIFICATIONS**

1. Ensure that Pedestal Post is Plumb and Level Before the Concrete Starts to Set up.
2. Attach Lower Seat Arm Assemblies to Pedestal Post Using (4) 1/2" x 1 1/4" Hex Head Bolts, Flanged Nut will be Inside the Tube.
3. Attach Top Arm Assemblies Using (4) 1/2" x 1 1/4" Hex Head Bolt, Flanged Nut Will be Inside the Tube
4. Place the Plank Clips (IA-12) as Shown on Each Slotted Hole for the Seat and Top Aluminum Planks Using 5/16" x 1 1/4" Round Head Carriage Bolt with a Flanged Nut on the Back Side. Place Them Parallel as Shown, Center the Plank on the Arms, Then Rotate the Clips to Engage the Flanges on the Underside of the Plank. **SEE DETAIL C**
5. Place the (IA-10) Plank End Caps on the Planks, Tap (2) 3/4" Drive Screws Through the Holes in the Cap and Into the Holes of the Plank. **SEE DETAIL D**

CONFIDENTIAL DRAWING AND INFORMATION IS NOT TO BE COPIED OR DISCLOSED TO OTHERS WITHOUT THE CONSENT OF KAY PARK. SPECIFICATIONS ARE SUBJECT TO CHANGE WITHOUT NOTICE.

GENERAL NOTES:

UNLESS OTHERWISE SPECIFIED:

DIMENSIONS ARE IN INCHES  
TOLERANCES:  
FRACTIONAL ± 1/32  
BEND ± 1/2°  
THREE PLACE DECIMAL ± .005  
Do Not Scale Drawing

MATERIAL

	NAME	DATE
DRAWN	DAT	6/12/2014
CHECKED		
ENG APPR.		
MFG APPR.		
Last Saved	6/13/2014 9:47:28 AM	
COMMENTS:		



Kay Park Rec

TITLE:		REV
DESC.		
SIZE	PART NO.	
B	4SPTGA	