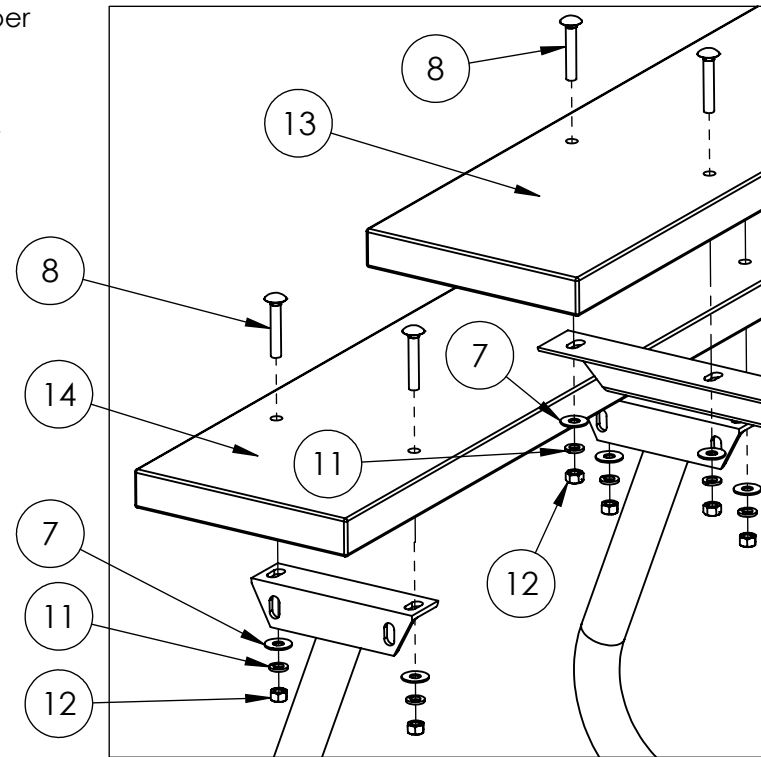
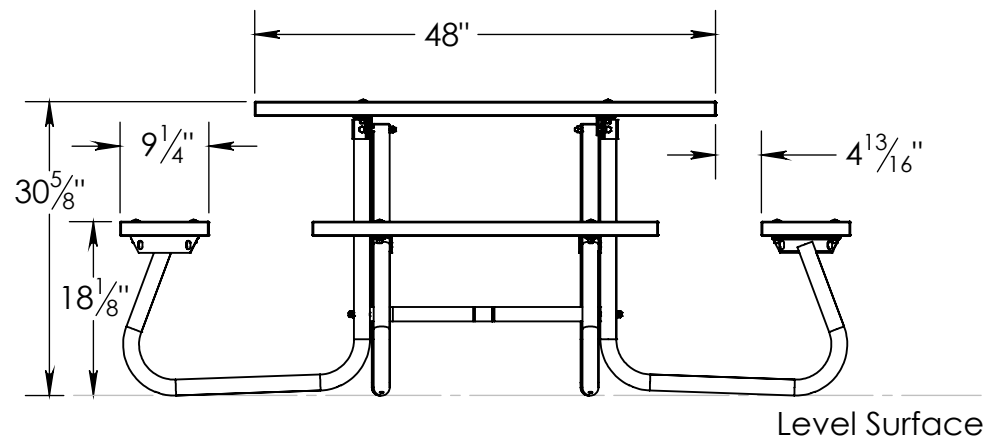
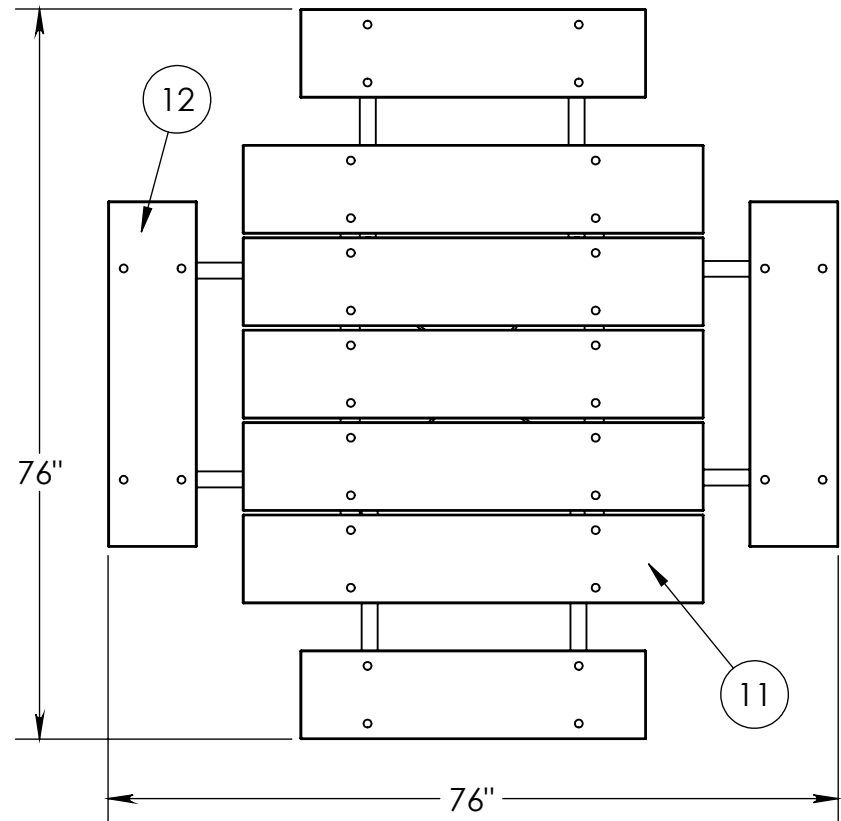
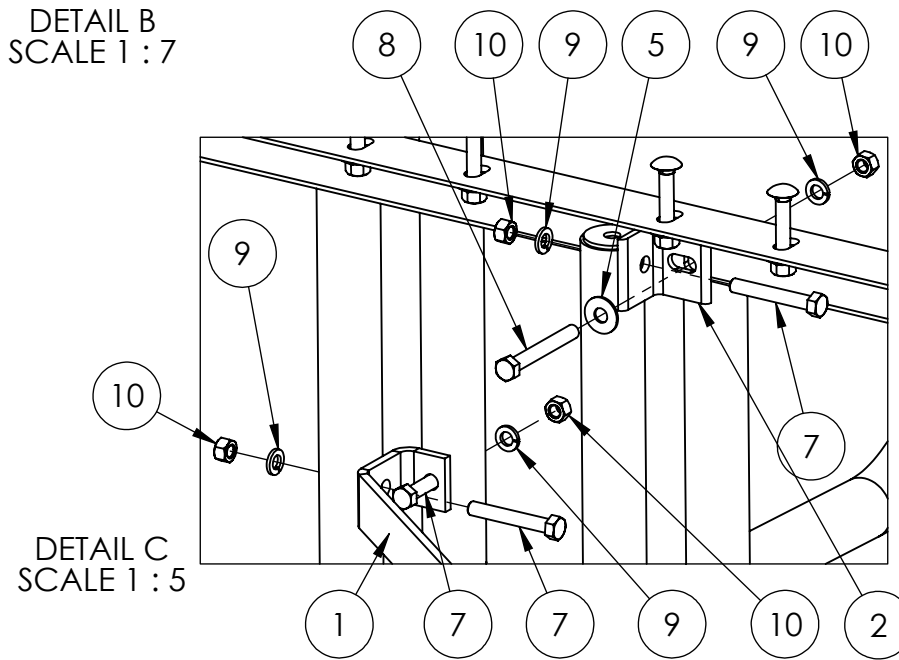


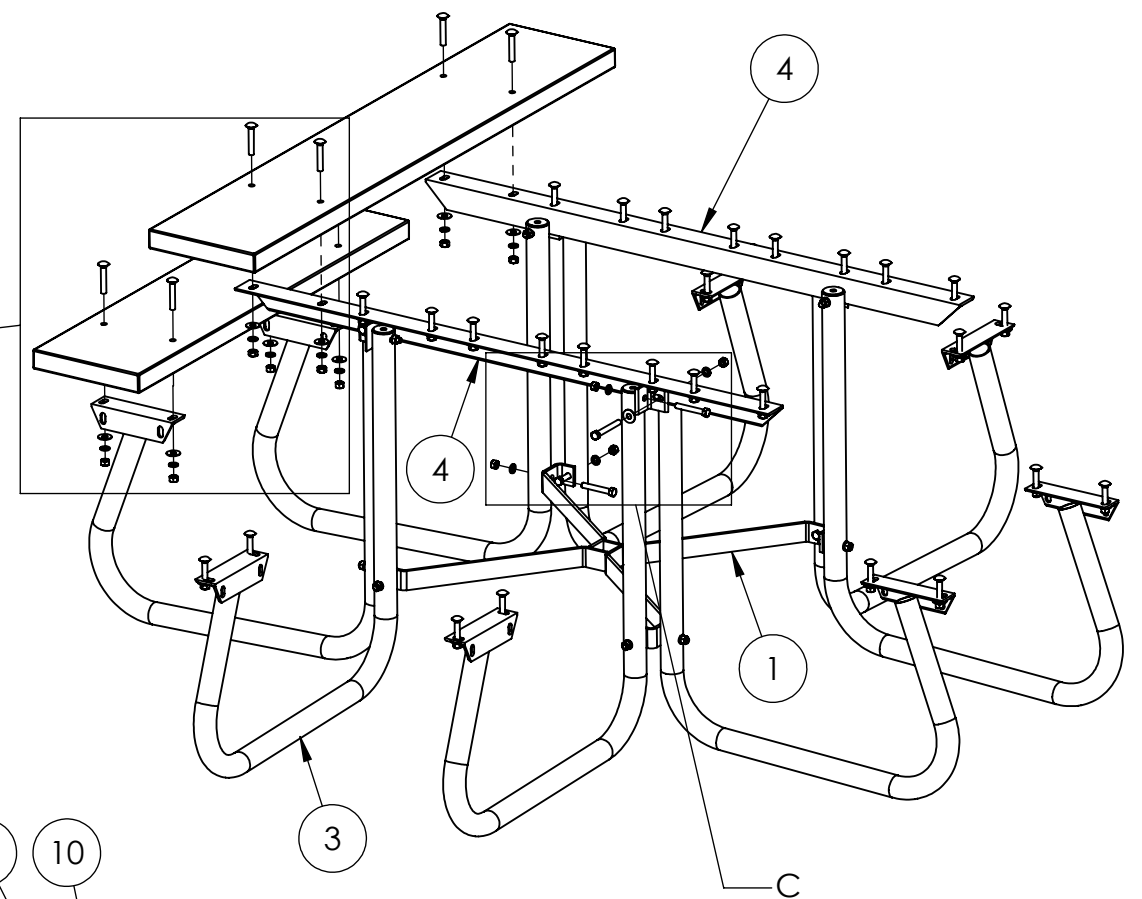
1. Bring All the legs Together with the "X" Brace at the Lower Set of leg Holes.
2. Bolt the Small Adapter Angles on the Outside of the Legs Using the Upper Holes.
3. Slide the 2"x 2" Top Cleat Between the Legs and the Adapter Angles.
Note the Gap Between the Legs, This is for the Top Cleat.
4. Attach the Top and Seat Planks Using the 3/8"-16x 2 1/4" Carriage Bolts, Lock Washers and Nuts.
5. Tighten All of the Bolts at This Time.



DETAIL B
SCALE 1 : 7



DETAIL C
SCALE 1 : 5



ITEM NO.	PART NUMBER	DESCRIPTION	QTY.
1	SQ-SA2	SQUARE SPIDER SUB ASSY	1
2	SQ-66	SQ. TOP ATTACHMENT ANGLE	4
3	RTR-SA1	1 5/8" RTR LEG ASSEMBLY	8
4	SQAW-2	TOP TABLE CLEAT	2
5	Regular FW 0.375	3/8" REGULAR FLAT WASHER	40
6	RHSNBOLT 0.375-16x2.25x1-N	CARRIAGE BOLT 3/8"-16x 2 1/4"	36
7	HBOLT 0.3750-16x2.5x1-N	HEX HEAD BOLT 3/8"-16x 2 1/2"	12
8	HBOLT 0.3750-16x3x1-N	HEX HEAD BOLT 3/8"-16x 3"	4
9	Regular LW 0.375	LOCK WASHER 3/8"	52
10	HNUT 0.3750-16-D-N	HEX LOCKNUT 3/8"-16	52
11	4SQRP-7	2"x 10" RECYCLED PLASTIC PLANK	5
12	3SQRP-7	2"x 10" RECYCLED PLASTIC SEAT PLANK	4

GENERAL NOTES:

UNLESS OTHERWISE SPECIFIED:
 DIMENSIONS ARE IN INCHES
 TOLERANCES:
 FRACTIONAL ± 1/32
 BEND ± 1/2°
 THREE PLACE DECIMAL ± .005
 Do Not Scale Drawing
 MATERIAL

NAME: DAT
 DATE: 1/19/2015
 DRAWN: DAT
 CHECKED:
 ENG APPR.:
 MFG APPR.:
 Last Saved: 3/13/2017 9:42:47 AM
 COMMENTS:

SIZE: B
 PART NO.: 4SJCRP
 REV:

K Industries, Inc.
 TITLE: DESC. SQUARE TABLE COATED LEGS RECYCLED PLASTIC SEATS AND TOP
 S:\CADDRWGS\Solidworks\Tables\SJ\
 No Planks

Confidential Drawing and Information is Not to be Copied or Disclosed to Others without the Consent of Kay Industries. Specifications are Subject to Change without Notice