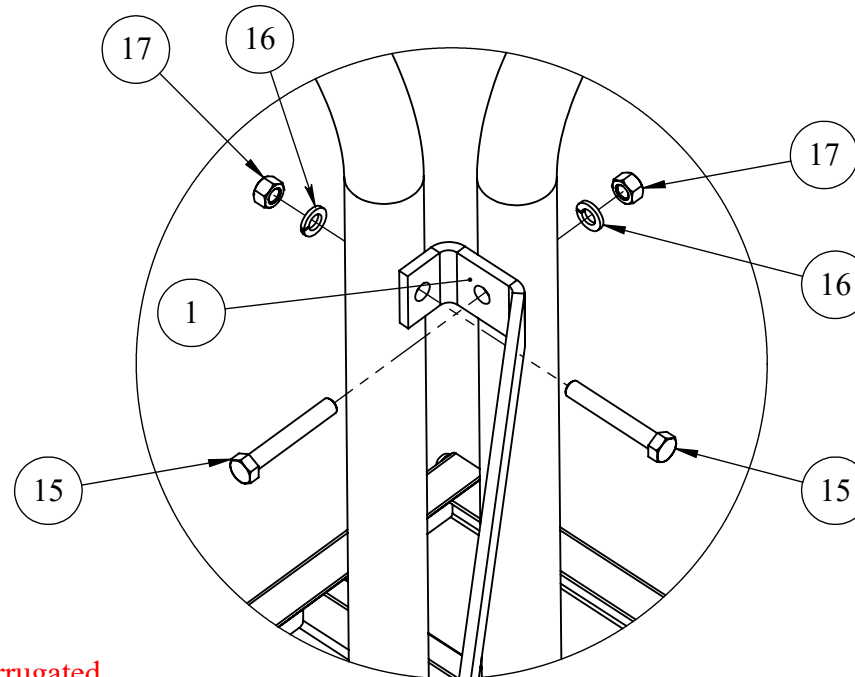
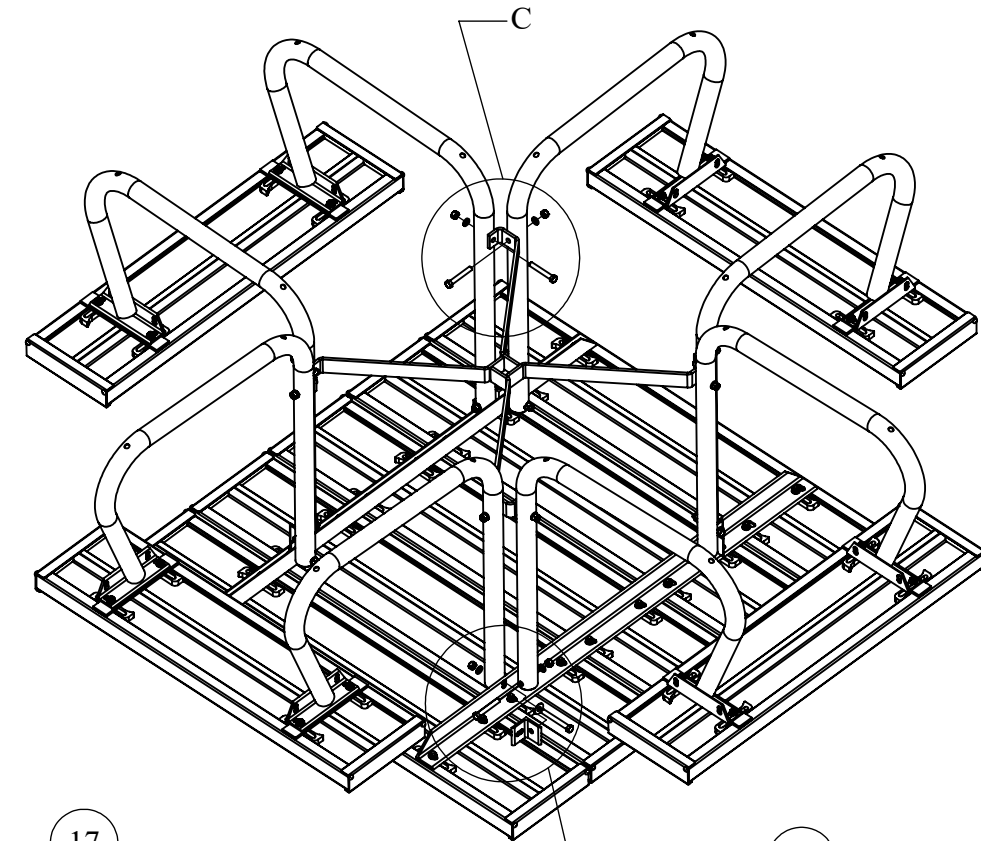
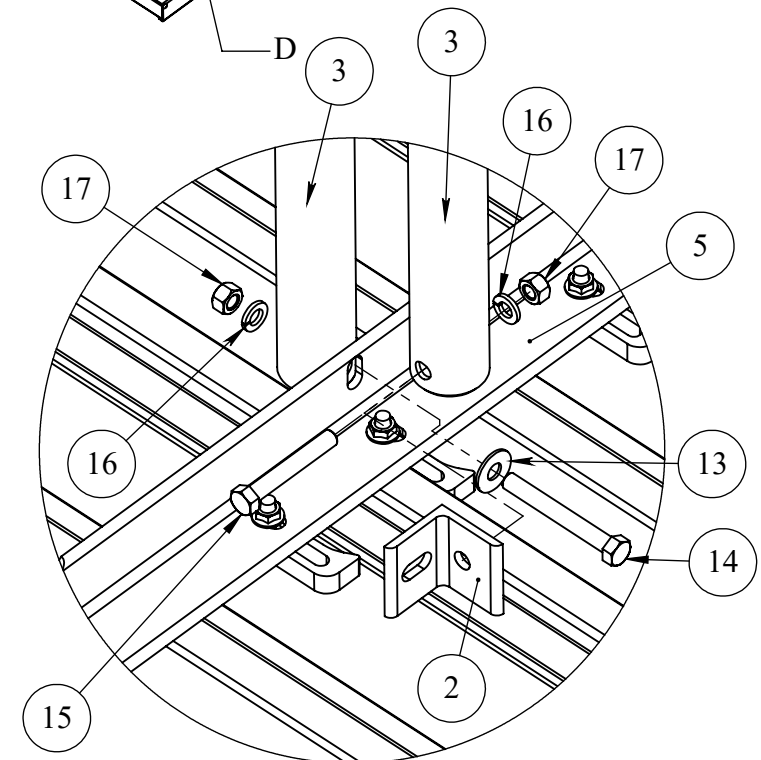


ITEM NO.	PART NUMBER	DESCRIPTION	QTY.
1	SQ-SA2	SQUARE SPIDER SUB ASSY	1
2	SQ-66	SQ. TOP ATTACHMENT ANGLE	4
3	RTR-SA1	1 5/8" RTR LEG ASSEMBLY	8
4	SQA-61	SQA Seat Adapter Plate	8
5	SQAW-2	TOP TABLE CLEAT	2
6	3SQA-7	3' 2"x 10" ANODIZED SEAT PLANK	4
7	4SQA-7	4' 2"x 4" ANODIZED TABLE TOP PLANK	5
8	IA-12	Aluminum 2" x 10" Plank Clip	36
9	RHSNBOLT 0.3125-18x1.25x1.25-N	CARRIAGE BOLT 5/16"-18x 1 1/4"	36
10	NUT-5/16-18 Flanged Nut	5/16"-18 FLANGED HEX NUT	36
11	IA-10	ALUM 2x10 END CAPS 9 1/8"	18
12	DRIVES-3/4	DRIVE SCREW 3/4"	36
13	Regular FW 0.375	3/8" REGULAR FLAT WASHER	4
14	HBOLT 0.3750-16x3x1-N	HEX HEAD BOLT 3/8"-16x 3"	4
15	HBOLT 0.3750-16x2.5x1-N	HEX HEAD BOLT 3/8"-16x 2 1/2"	12
16	Regular LW 0.375	LOCK WASHER 3/8"	16
17	HNUT 0.3750-16-D-N	HEX NUT 3/8"-16	16



DETAIL C  
SCALE 1 : 4

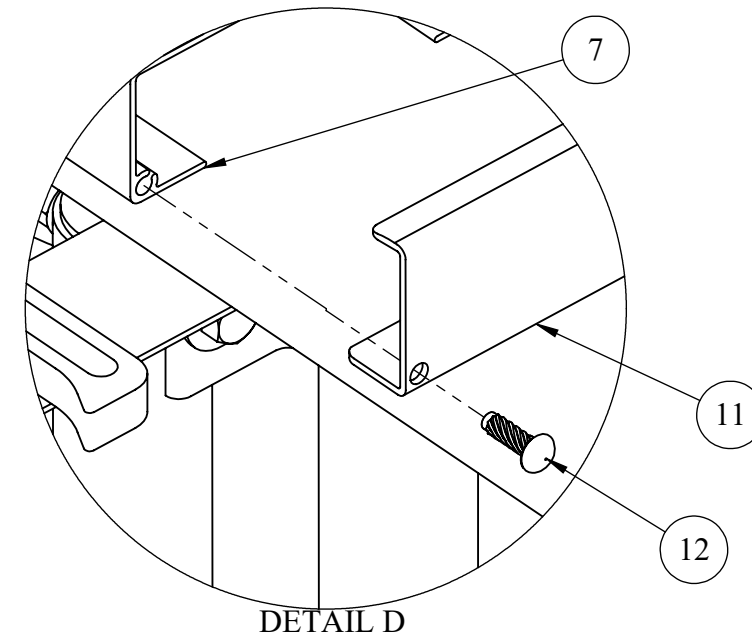
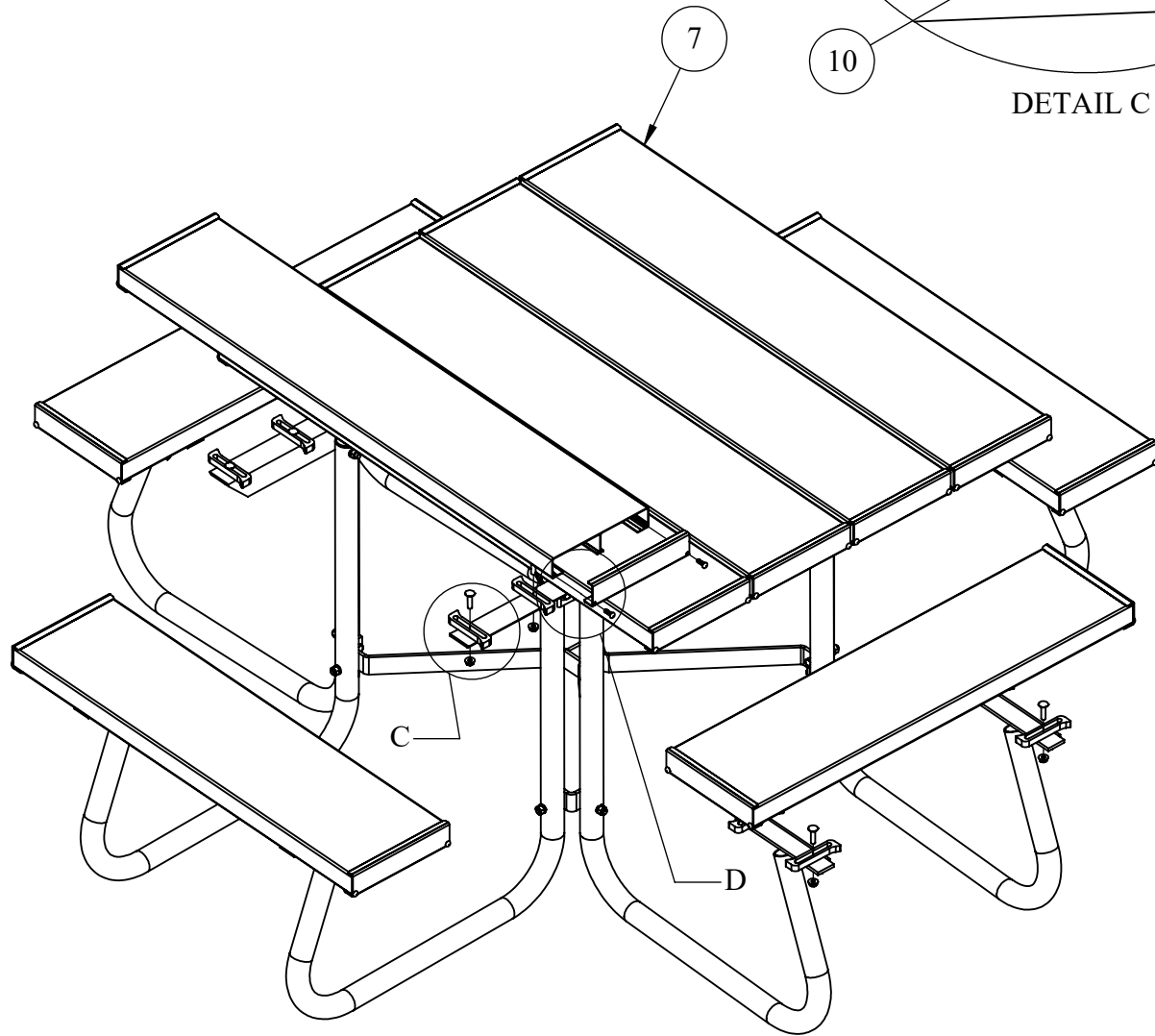
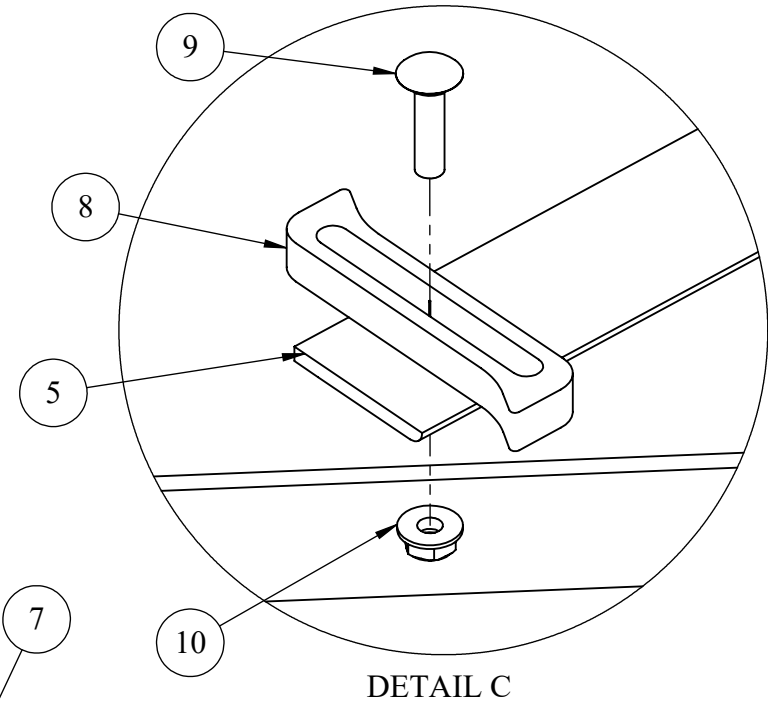


DETAIL D  
SCALE 1 : 4

1. Place the Table Top Upside Down on a Relatively Flat Surface Such as the Corrugated Card Board that the Product Came in.
2. Assemble the Table Legs as Shown in **DETAIL D**, Make Sure the 3" Long Hex Head Bolt is Used Where the Slots Line Up. Finger Tighten the Bolts and Nuts at This Time.
3. Next Attach the Spider Cross Bracing to the Bottom Part of the Legs. Start with One Corner Using the 3/8"-16x 2 1/2" Hex Head Bolts, Washers, Lock Washers, and Nuts. Go to the Opposite Corner and Insert That Hardware. Do the same Procedure on the Other Set of Legs. Finger Tighten Hardware. **SEE DETAIL C**
4. Tighten the Nuts and Bolts that are Close to the Table Top First, Make Sure the Legs are Straight Up and Down. Tighten the Nuts and Bolts on the Cross Bracing Next.
5. Turn the Table Right Side Up to Attach the Seats to the Seat Brackets.  
**SEE SHEET 3 for DETAILS**

GENERAL NOTES	DIMENSIONS ARE IN INCHES TOLERANCES: LINEAR: ± 1/16 ANGULAR: ± 1°		SHEET SIZE <b>B</b>	SCALE 1:16	REV		<b>Kay Park Rec.</b>
	CONFIDENTIAL DRAWING. INFORMATION IS NOT TO BE COPIED OR DISCLOSED TO OTHERS WITHOUT CONSENT OF KAY INDUSTRIES. SPECIFICATIONS SUBJECT TO CHANGE WITHOUT NOTICE.	DRAWN BY JNB	9/3/2014	DESC: SJ TABLE W/ ALUMINUM PLANKS			
	APPROVED		MATL:				
	LAST SAVED johnb	8/4/2017	<b>PART NO: 4SJCA</b>				

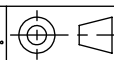
ITEM NO.	PART NUMBER	DESCRIPTION	QTY.
1	SQ-SA2	SQUARE SPIDER SUB ASSY	1
2	SQ-66	SQ. TOP ATTACHMENT ANGLE	4
3	RTR-SA1	1 5/8" RTR LEG ASSEMBLY	8
4	SQA-61	SQA Seat Adapter Plate	8
5	SQAW-2	TOP TABLE CLEAT	2
6	3SQA-7	3' 2"x 10" ANODIZED SEAT PLANK	4
7	4SQA-7	4' 2"x 4" ANODIZED TABLE TOP PLANK	5
8	IA-12	Aluminum 2" x 10" Plank Clip	36
9	RHSNBOLT 0.3125-18x1.25x1.25-N	CARRIAGE BOLT 5/16"-18x 1 1/4"	36
10	NUT-5/16-18 Flanged Nut	5/16"-18 FLANGED HEX NUT	36
11	IA-10	ALUM 2x10 END CAPS 9 1/8"	18
12	DRIVES-3/4	DRIVE SCREW 3/4"	36
13	Regular FW 0.375	3/8" REGULAR FLAT WASHER	4
14	HBOLT 0.3750-16x3x1-N	HEX HEAD BOLT 3/8"-16x 3"	4
15	HBOLT 0.3750-16x2.5x1-N	HEX HEAD BOLT 3/8"-16x 2 1/2"	12
16	Regular LW 0.375	LOCK WASHER 3/8"	16
17	HNUT 0.3750-16-D-N	HEX NUT 3/8"-16	16



GENERAL NOTES

CONFIDENTIAL DRAWING.  
 INFORMATION IS NOT TO BE COPIED OR  
 DISCLOSED TO OTHERS WITHOUT  
 CONSENT OF KAY INDUSTRIES.  
 SPECIFICATIONS SUBJECT TO CHANGE  
 WITHOUT NOTICE.

DIMENSIONS ARE IN INCHES  
 TOLERANCES: LINEAR: ± 1/16  
 ANGULAR: ± 1°



SHEET SIZE  
**B**

SCALE  
 1:13

REV



**Kay Park Rec.**

DRAWN BY

JNB

9/3/2014

DESC:

SJ TABLE W/ ALUMINUM PLANKS

APPROVED

MATL:

LAST SAVED

johnb

8/4/2017

PART NO:

**4SJCA**