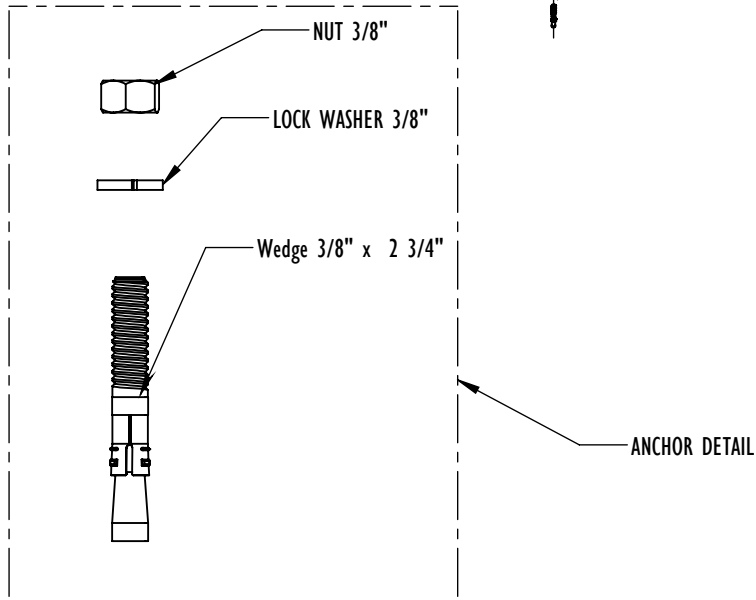
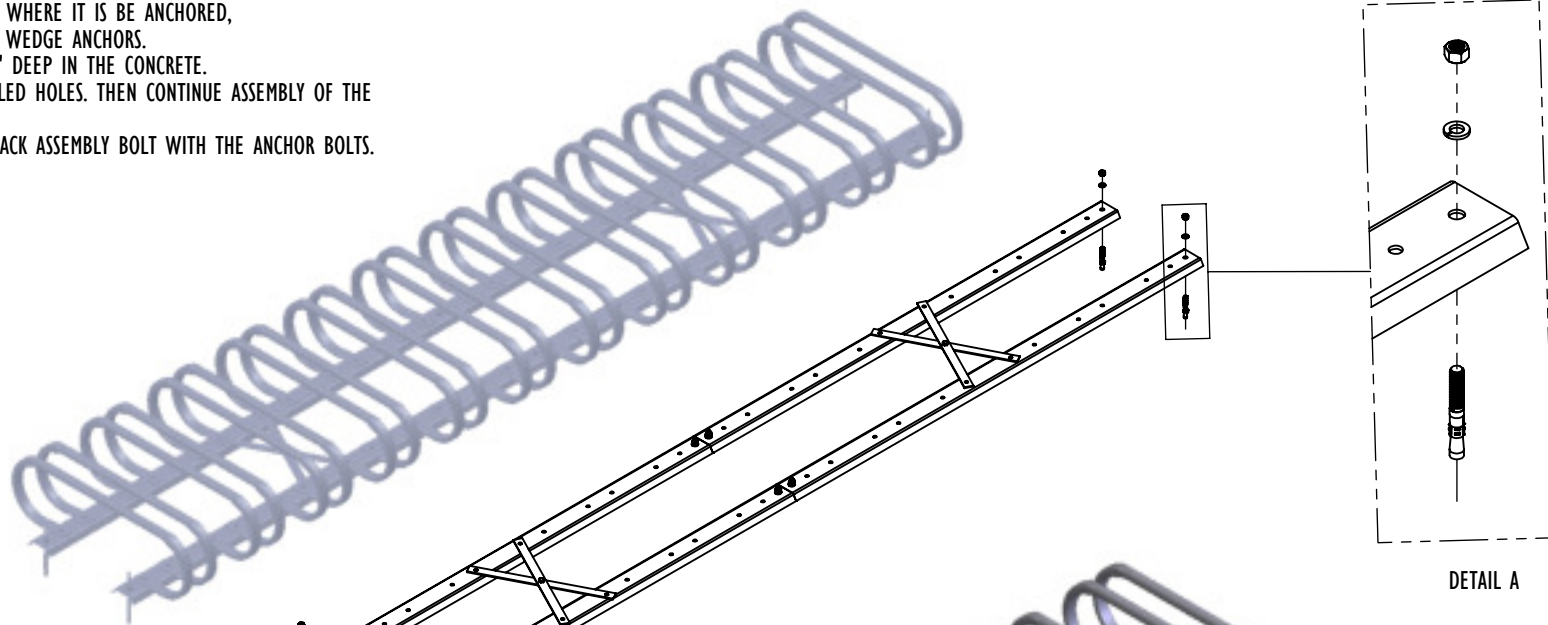



PLACE THE BASE ASSEMBLY WHERE IT IS BE ANCHORED,
 THEN MARK LOCATION FOR WEDGE ANCHORS.
 DRILL 3/8" HOLES 1 1/2" DEEP IN THE CONCRETE.
 SET ANCHOR BOLT IN DRILLED HOLES. THEN CONTINUE ASSEMBLY OF THE
 BIKE RACK.
 SUBSTITUTE THE BOTTOM RACK ASSEMBLY BOLT WITH THE ANCHOR BOLTS.



		<h1>Kay Park Rec</h1>	
DESC.		WEDGE ANCHOR LOW PROFILE BIKE RACK	
MODEL NUMBER.		4100	WT.
DRAWN BY	PAK	DATE	3/8/2012 Sheet 1 of 1
			SCALE
			NONE

CONFIDENTIAL DRAWING AND INFORMATION IS NOT TO BE COPIED OR DISCLOSED TO OTHERS WITHOUT THE CONSENT OF KAY PARK. SPECIFICATIONS ARE SUBJECT TO CHANGE WITHOUT NOTICE.