



KAY PARK RECREATION

MAKING PLACES PEOPLE FRIENDLY • **SINCE 1954**

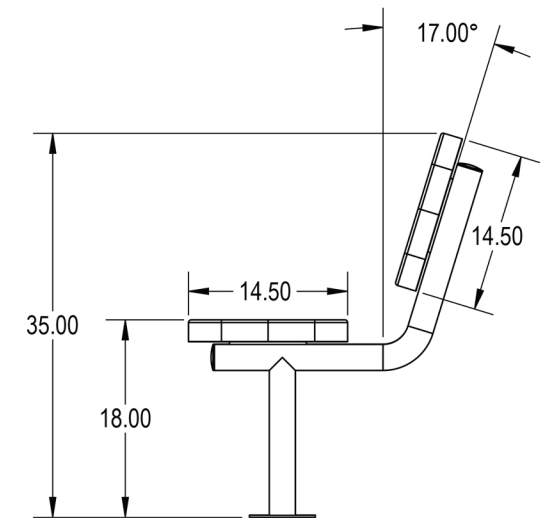
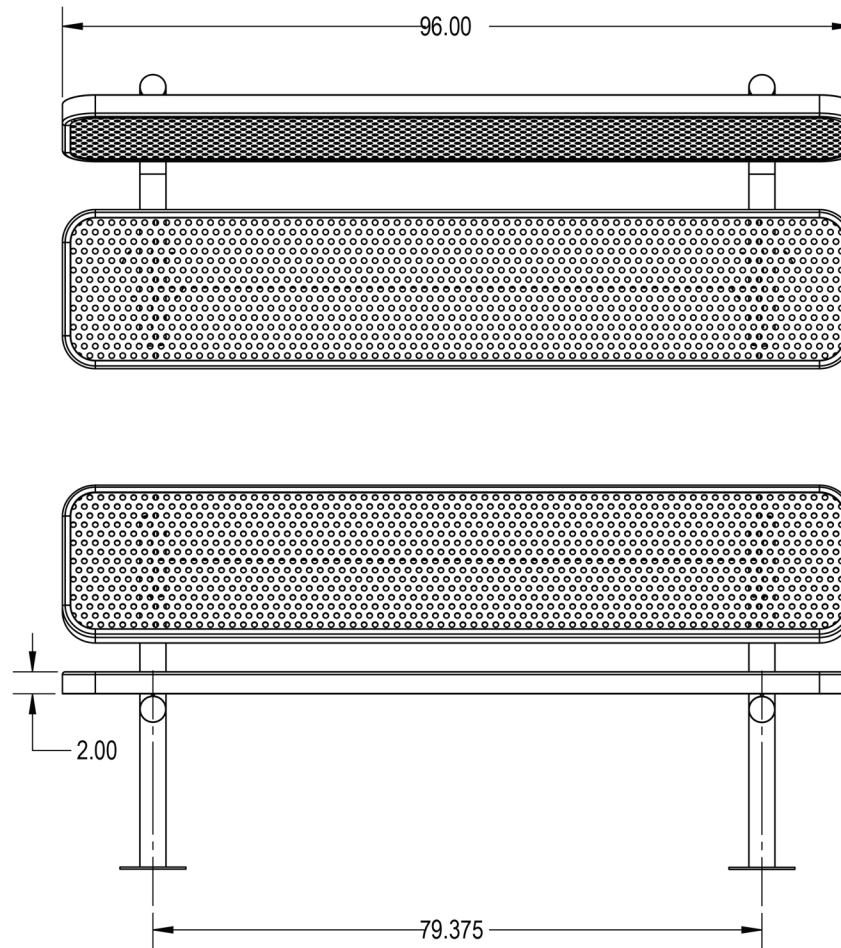
(800)553-2476 • sales@kaypark.com
1301 Pine St. Janesville, IA 50647

8' Wide Bench w/Back

Model #: **MCWB8TPSM**

Weight: **238 Lbs**

Material: **Perforated**



PROPRIETARY AND CONFIDENTIAL
THE INFORMATION CONTAINED IN THIS DRAWING IS THE SOLE PROPERTY OF Advantage Panels & Fence, Inc. PO Box 1790 Whitney, TX. ANY REPRODUCTION IN PART OR AS A WHOLE WITHOUT THE WRITTEN PERMISSION OF Advantage Panels & Fence, Inc. PO Box 1790 Whitney, TX. IS PROHIBITED.

	NAME	DATE	TITLE:		
DRAWN	GM	1/25/2016	8ft Players Bench with Back Portable - Perforated Metal		
SALES APPR.					
CLIENT APPR.					
MFG APPR.					
Q.A.			SIZE	DWG. NO.	REV
Design By -	CADWorksPro Chicago, IL		A	BYP08-B-32-000	
www.cadworkspro.com			WEIGHT:	SHEET 3 OF 3	

