



# KAY PARK RECREATION

MAKING PLACES PEOPLE FRIENDLY • **SINCE 1954**

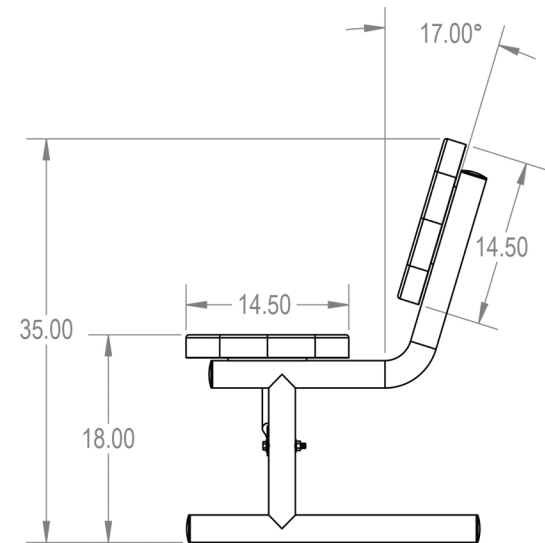
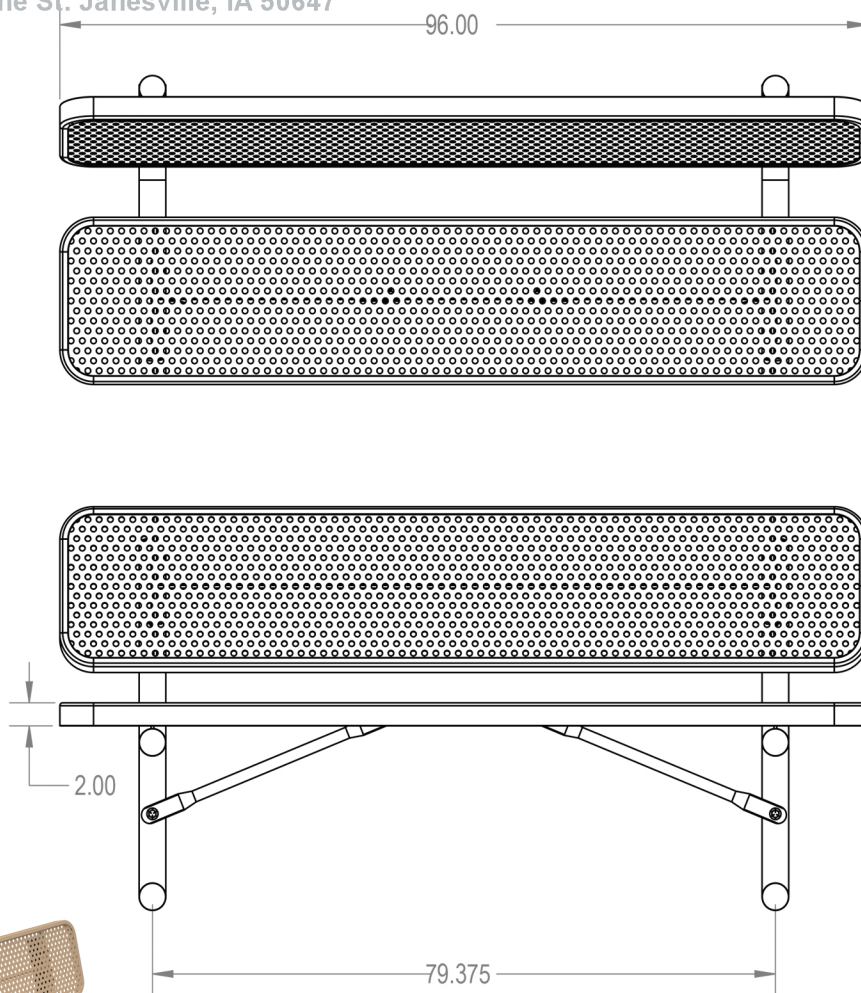
(800)553-2476 • sales@kaypark.com  
1301 Pine St. Janesville, IA 50647

## 8' Wide Bench w/Back

Model #: **MCWB8TPP**

Weight: **252 Lbs**

Material: **Perforated**



**PROPRIETARY AND CONFIDENTIAL**  
THE INFORMATION CONTAINED IN THIS DRAWING IS THE SOLE PROPERTY OF Advantage Panels & Fence, Inc. PO Box 1790 Whitney, TX. ANY REPRODUCTION IN PART OR AS A WHOLE WITHOUT THE WRITTEN PERMISSION OF Advantage Panels & Fence, Inc. PO Box 1790 Whitney, TX. IS PROHIBITED.

	NAME	DATE
DRAWN	GM	1/25/2016
SALES APPR.		
CLIENT APPR.		
MFG APPR.		
Q.A.		
Design By -	CADWorksPro Chicago, IL	
	www.cadworkspro.com	

TITLE:  
**8ft Players Bench with Back**  
**Portable - Perforated Metal**

SIZE	DWG. NO.	REV
<b>A</b>	<b>BYP08-B-30-000</b>	
WEIGHT:		SHEET 3 OF 3

