



# KAY PARK RECREATION

MAKING PLACES PEOPLE FRIENDLY • **SINCE 1954**

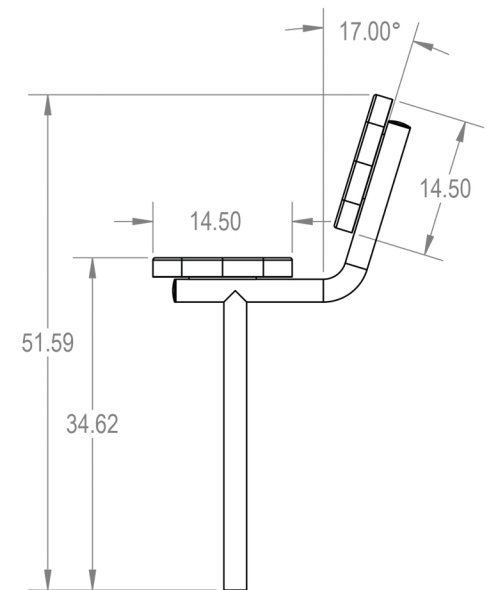
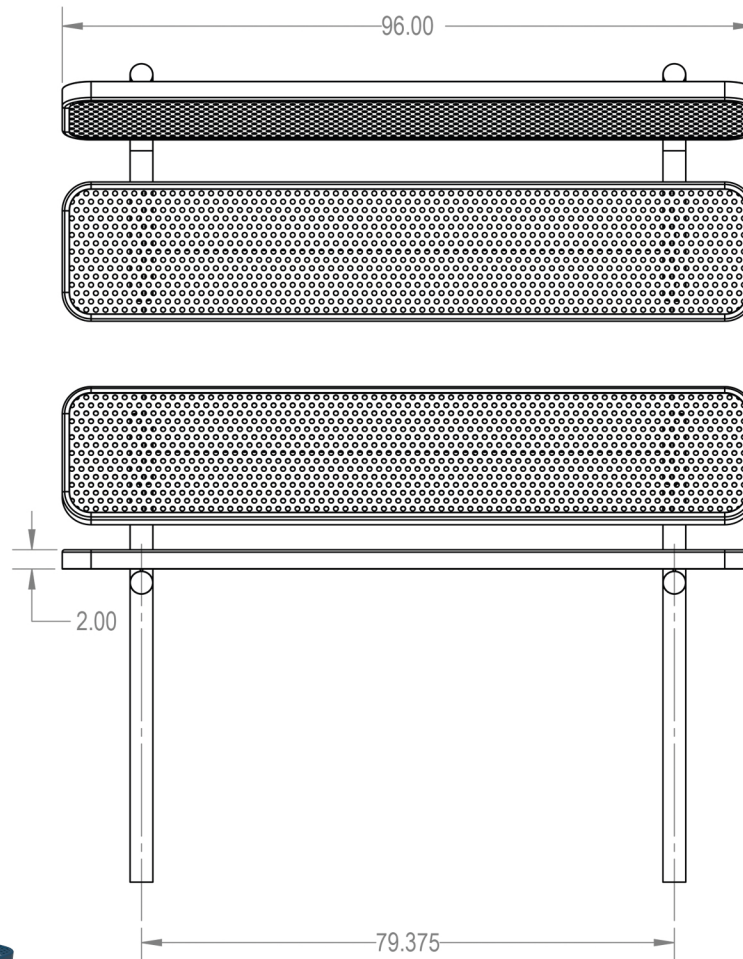
(800)553-2476 • sales@kaypark.com  
1301 Pine St. Janesville, IA 50647

**8' Wide Bench w/Back**

Model #: **MCWB8TPIG**

Weight: **244 Lbs**

Material: **Perforated**



**PROPRIETARY AND CONFIDENTIAL**  
THE INFORMATION CONTAINED IN THIS DRAWING IS THE SOLE PROPERTY OF Advantage Panels & Fence, Inc. PO Box 1790 Whitney, TX. ANY REPRODUCTION IN PART OR AS A WHOLE WITHOUT THE WRITTEN PERMISSION OF Advantage Panels & Fence, Inc. PO Box 1790 Whitney, TX. IS PROHIBITED.

	NAME	DATE	TITLE:		
DRAWN	GM	1/25/2016	<b>8Ft Players Bench with Back InGround - Perforated Metal</b>		
SALES APPR.					
CLIENT APPR.					
MFG APPR.					
Q.A.			SIZE	DWG. NO.	REV
Design By -			<b>A</b>	<b>BYP08-B-31-000</b>	
CADWorksPro Chicago, IL			WEIGHT:		SHEET 3 OF 3
www.cadworkspro.com					

