



# KAY PARK RECREATION

MAKING PLACES PEOPLE FRIENDLY • **SINCE 1954**

(800)553-2476 • sales@kaypark.com

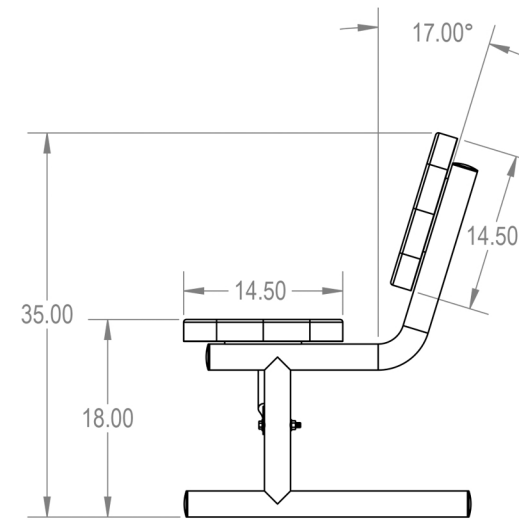
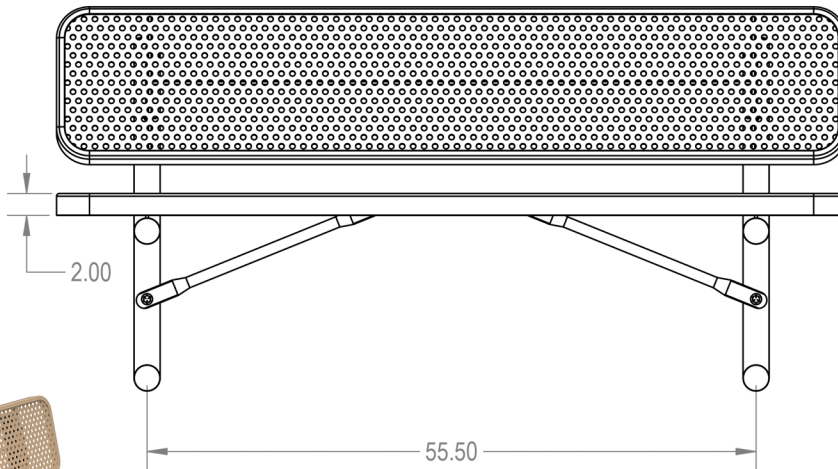
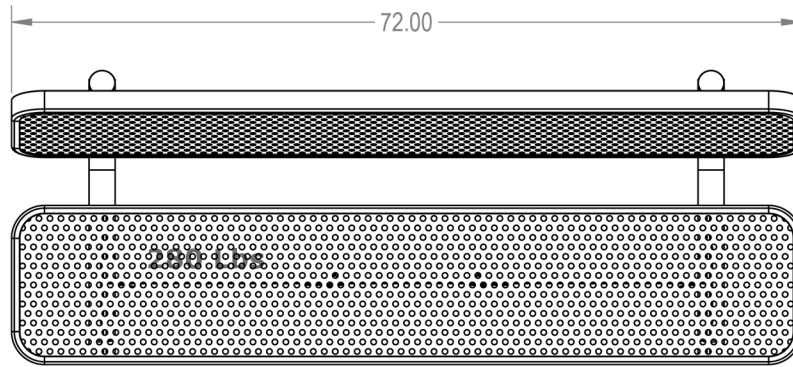
1301 Pine St. Janesville, IA 50647

## 6' Wide Bench w/Back

Model #: **MCWB6TPP**

Weight: **202 Lbs**

Material: **Perforated**



**PROPRIETARY AND CONFIDENTIAL**  
 THE INFORMATION CONTAINED IN THIS DRAWING IS THE SOLE PROPERTY OF Advantage Panels & Fence, Inc. PO Box 1790 Whitney, TX. ANY REPRODUCTION IN PART OR AS A WHOLE WITHOUT THE WRITTEN PERMISSION OF Advantage Panels & Fence, Inc. PO Box 1790 Whitney, TX. IS PROHIBITED.

	NAME	DATE	TITLE:	
DRAWN	GM	1/25/2016	6ft Players Bench with Back	
SALES APPR.			Portable - Perforated Metal	
CLIENT APPR.				
MFG APPR.				
Q.A.				
Design By -	CADWorksPro Chicago, IL		SIZE	DWG. NO.
	www.cadworkspro.com		<b>A</b>	BYP06-B-30-000
			REV	
			WEIGHT:	SHEET 3 OF 3

