



KAY PARK RECREATION

MAKING PLACES PEOPLE FRIENDLY • **SINCE 1954**

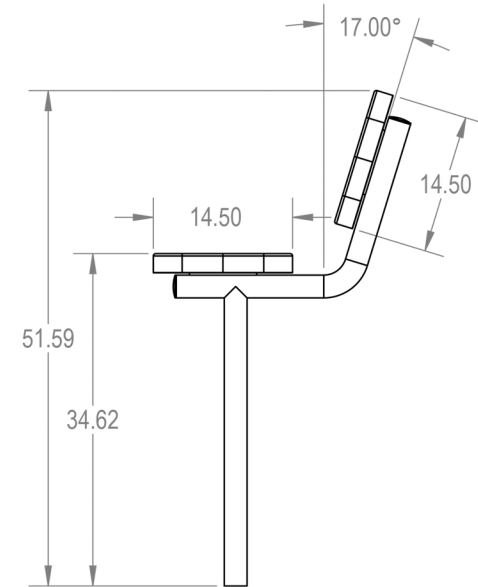
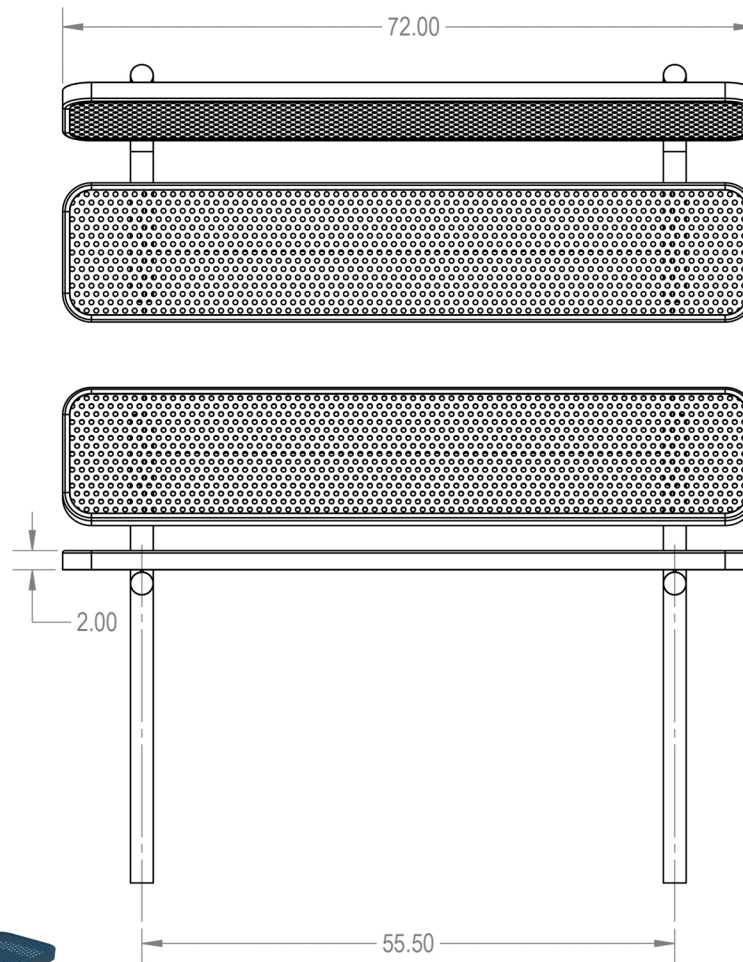
(800)553-2476 • sales@kaypark.com
1301 Pine St. Janesville, IA 50647

6' Wide Bench w/Back

Model #: **MCWB6TPIG**

Weight: **216 Lbs**

Material: **Perforated**



PROPRIETARY AND CONFIDENTIAL
THE INFORMATION CONTAINED IN THIS DRAWING IS THE SOLE PROPERTY OF Advantage Panels & Fence, Inc. PO Box 1790 Whitney, TX. ANY REPRODUCTION IN PART OR AS A WHOLE WITHOUT THE WRITTEN PERMISSION OF Advantage Panels & Fence, Inc. PO Box 1790 Whitney, TX. IS PROHIBITED.

	NAME	DATE		
DRAWN	GM	1/25/2016	TITLE:	
SALES APPR.			6Ft Players Bench with Back	
CLIENT APPR.			InGround - Perforated Metal	
MFG APPR.			SIZE	DWG. NO.
Q.A.			A	BYP06-B-31-000
Design By -	CADWorksPro Chicago, IL		REV	
	www.cadworkspro.com		WEIGHT:	SHEET 3 OF 3

