



KAY PARK RECREATION

MAKING PLACES PEOPLE FRIENDLY • **SINCE 1954**

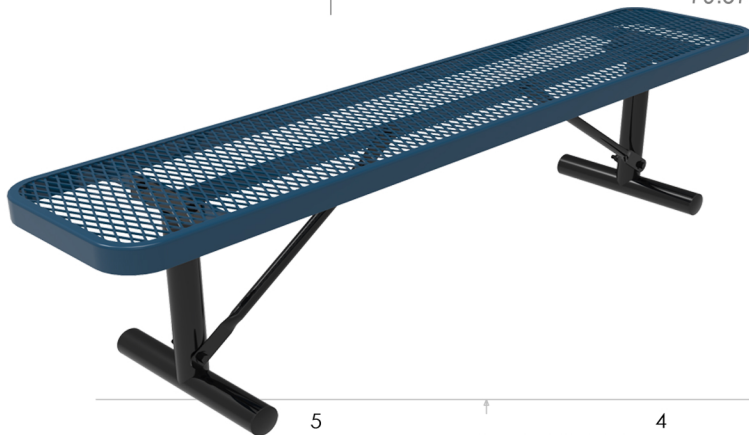
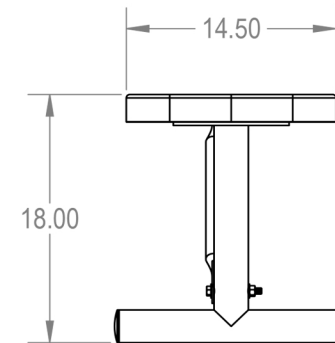
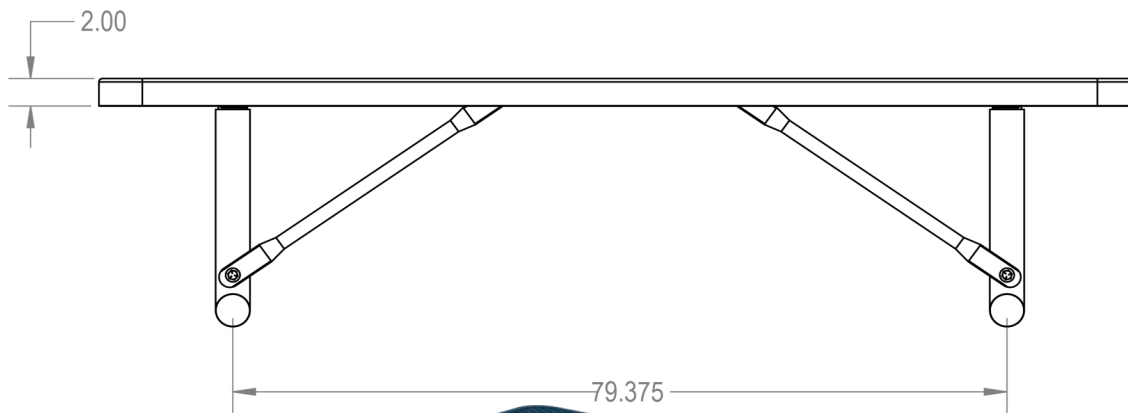
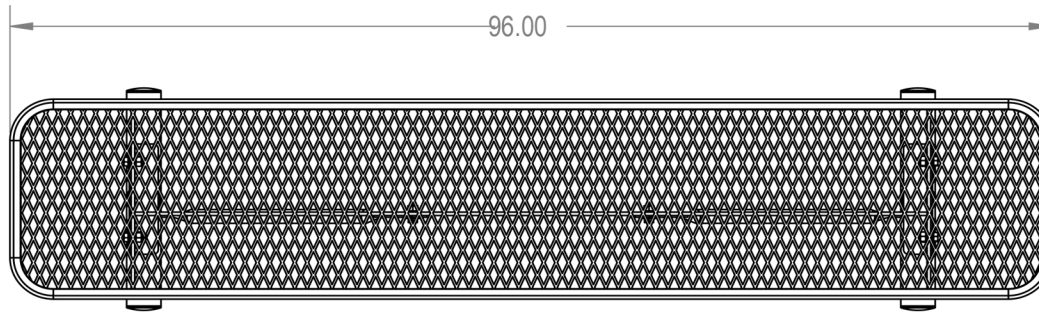
(800)553-2476 • sales@kaypark.com
1301 Pine St. Janesville, IA 50647

8' Backless Bench

Model #: **MCWB8EXPP**

Weight: **84 Lbs**

Material: **Expanded Metal**



PROPRIETARY AND CONFIDENTIAL
THE INFORMATION CONTAINED IN THIS DRAWING IS THE SOLE PROPERTY OF Advantage Panels & Fence, Inc. PO Box 1790 Whitney, TX. ANY REPRODUCTION IN PART OR AS A WHOLE WITHOUT THE WRITTEN PERMISSION OF Advantage Panels & Fence, Inc. PO Box 1790 Whitney, TX. IS PROHIBITED.

	NAME	DATE
DRAWN	GM	2/1/2016
SALES APPR.		
CLIENT APPR.		
MFG APPR.		
Q.A.		
Design By -		

CADWorksPro
Chicago, IL

www.cadworkspro.com

TITLE:
8ft Players Bench without Back
Portable - Expanded Metal

SIZE	DWG. NO.	REV
A	BPY08-A-33-000	

WEIGHT: SHEET 2 OF 3

