



# KAY PARK RECREATION

MAKING PLACES PEOPLE FRIENDLY • **SINCE 1954**

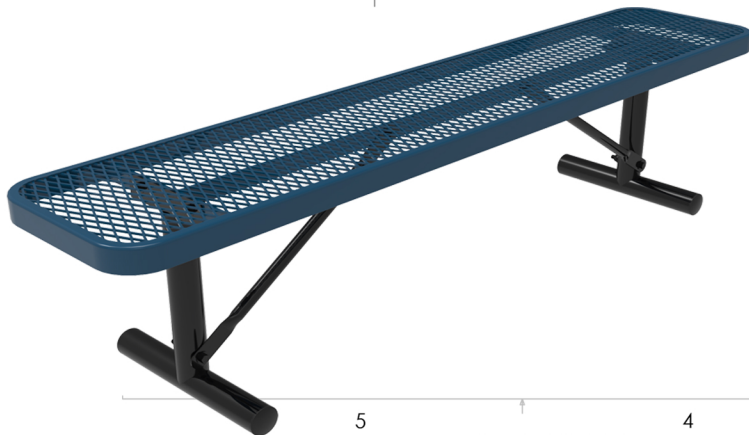
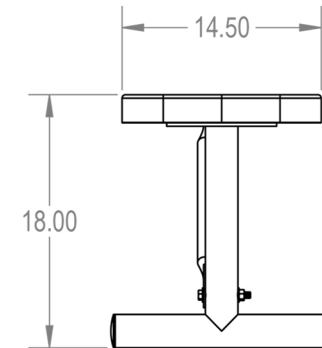
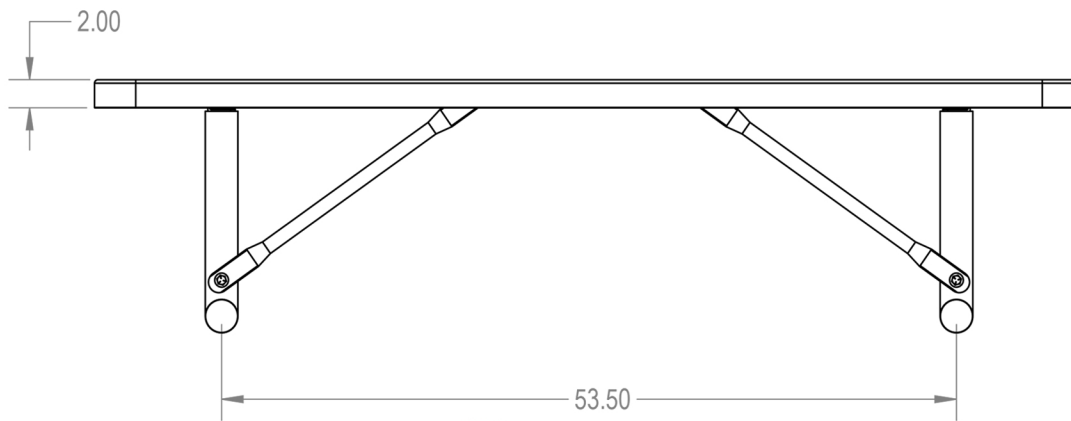
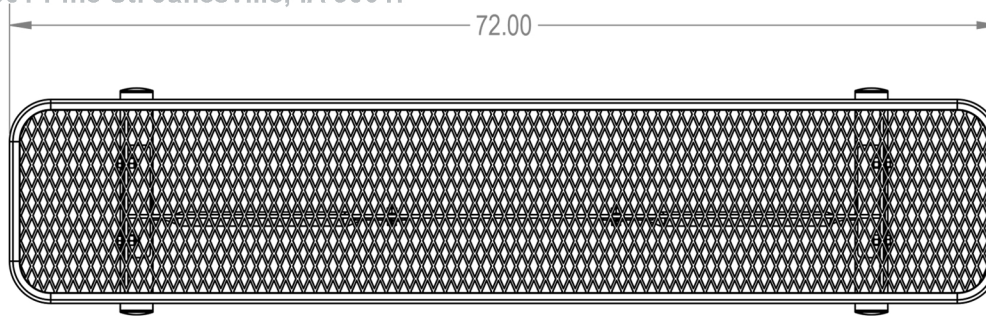
(800)553-2476 • sales@kaypark.com  
1301 Pine St. Janesville, IA 50647

## 6' Backless Bench

Model #: **MCWBB6EXPP**

Weight: **71 Lbs**

Material: **Expanded Metal**



**PROPRIETARY AND CONFIDENTIAL**  
THE INFORMATION CONTAINED IN THIS DRAWING IS THE SOLE PROPERTY OF Advantage Panels & Fence, Inc. PO Box 1790 Whitney, TX. ANY REPRODUCTION IN PART OR AS A WHOLE WITHOUT THE WRITTEN PERMISSION OF Advantage Panels & Fence, Inc. PO Box 1790 Whitney, TX. IS PROHIBITED.

	NAME	DATE
DRAWN	GM	2/1/2016
SALES APPR.		
CLIENT APPR.		
MFG APPR.		
Q.A.		

Design By -  
**CADWorksPro**  
Chicago, IL  
[www.cadworkspro.com](http://www.cadworkspro.com)

TITLE:  
**6ft Players Bench without Back**  
**Portable - Expanded Metal**

SIZE	DWG. NO.	REV
<b>A</b>	<b>BPY06-A-33-000</b>	

WEIGHT: SHEET 2 OF 3

