



KAY PARK RECREATION

MAKING PLACES PEOPLE FRIENDLY • **SINCE 1954**

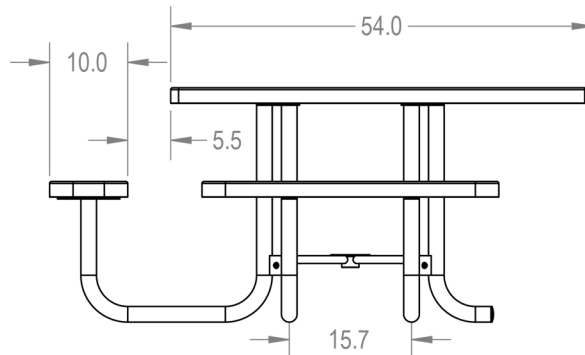
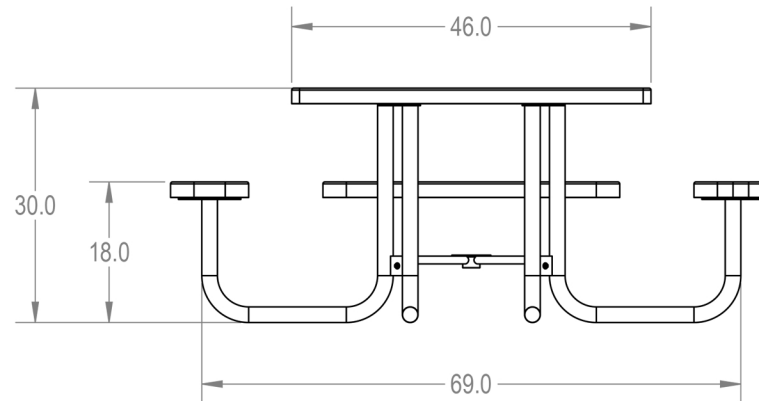
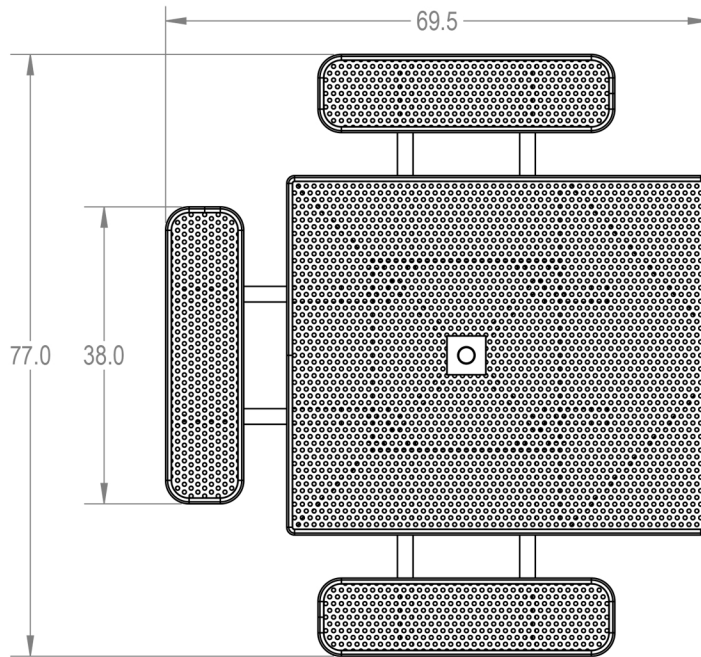
(800)553-2476 • sales@kaypark.com
1301 Pine St. Janesville, IA 50647

3 Seat Square Table

Model #: **MC46PSTPADA3**

Weight: **251 Lbs**

Material: **Perforated**



PROPRIETARY AND CONFIDENTIAL
THE INFORMATION CONTAINED IN THIS DRAWING IS THE SOLE PROPERTY OF Advantage Panels & Fence, Inc. PO Box 1790 Whitney, TX. ANY REPRODUCTION IN PART OR AS A WHOLE WITHOUT THE WRITTEN PERMISSION OF Advantage Panels & Fence, Inc. PO Box 1790 Whitney, TX. IS PROHIBITED.

	NAME	DATE		
DRAWN	GM	2/13/2016	TITLE:	
SALES APPR.			46" Square Top Pedestal Table - 3 Seat - Portable	
CLIENT APPR.			Punched Steel Version	
MFG APPR.			DWG. NO.	
Q.A.			SIZE	REV
Design By -			A	
CADWorksPro Chicago, IL			WEIGHT:	
www.cadworkspro.com			SHEET 3 OF 3	

2

1

