



KAY PARK RECREATION

MAKING PLACES PEOPLE FRIENDLY • **SINCE 1954**

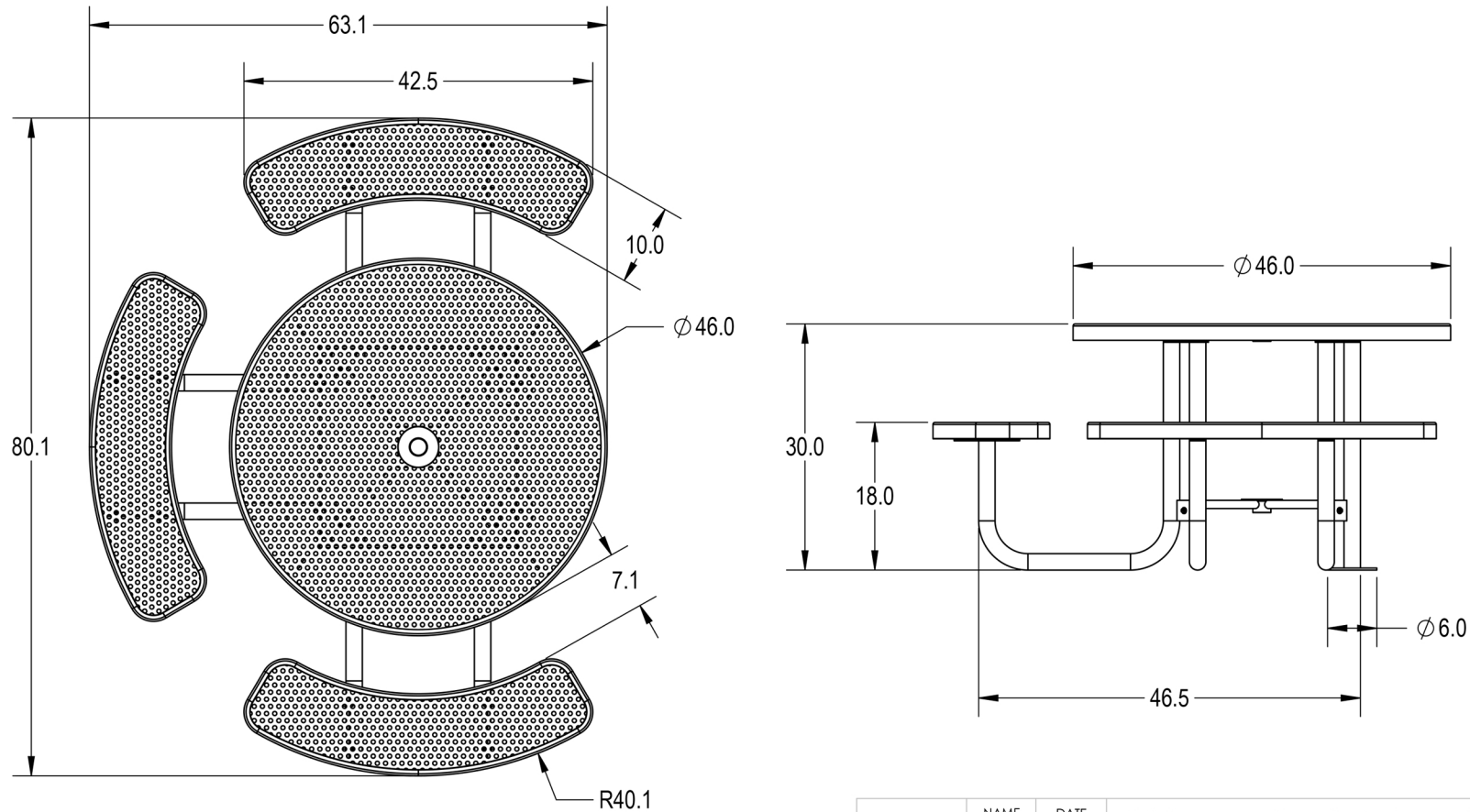
(800)553-2476 • sales@kaypark.com
1301 Pine St. Janesville, IA 50647

3 Seat Round Top

Model #: **MC46PSRTPADA3**

Weight: **251 Lbs**

Material: **Perforated**



PROPRIETARY AND CONFIDENTIAL
THE INFORMATION CONTAINED IN THIS DRAWING IS THE SOLE PROPERTY OF Advantage Panels & Fence, Inc. PO Box 1790 Whitney, TX. ANY REPRODUCTION IN PART OR AS A WHOLE WITHOUT THE WRITTEN PERMISSION OF Advantage Panels & Fence, Inc. PO Box 1790 Whitney, TX. IS PROHIBITED.

	NAME	DATE
DRAWN	GM	4/26/2017
SALES APPR.		
CLIENT APPR.		
MFG APPR.		
Q.A.		
Design By -	CADWorksPro Chicago, IL	
	www.cadworkspro.com	

AAdvantage Panels & Fence, Inc.		
TITLE:		
3-Seat HCA Round Top Table		
Perforated Metal Version		
SIZE	DWG. NO.	REV
A	?????	
WEIGHT:		SHEET 3 OF 3

