



KAY PARK RECREATION

MAKING PLACES PEOPLE FRIENDLY • SINCE 1954

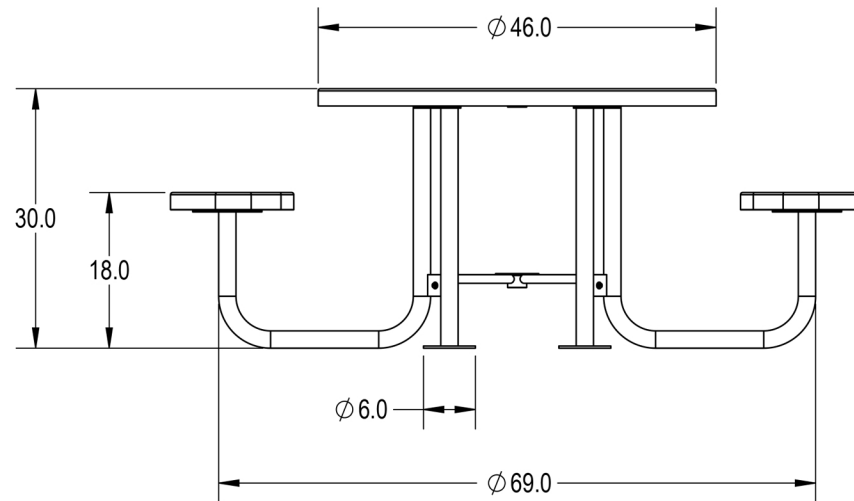
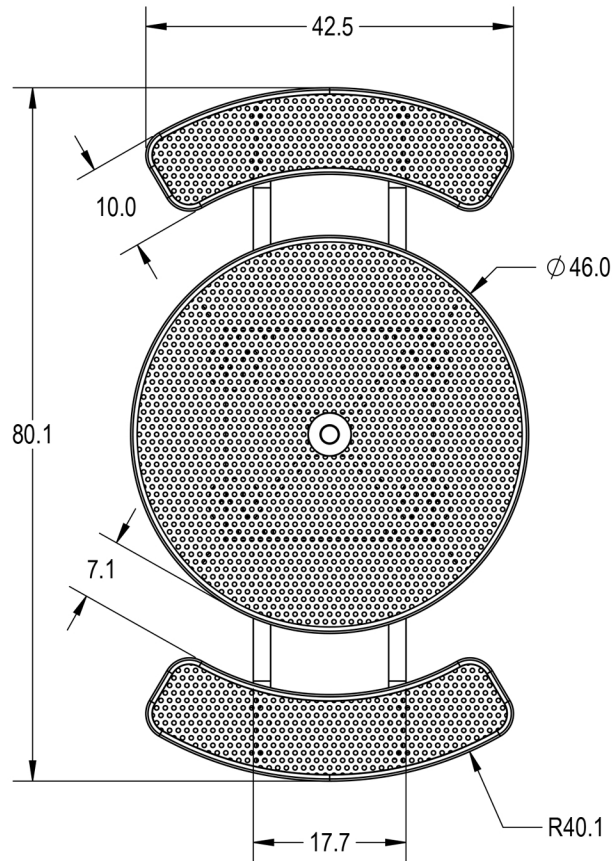
(800)553-2476 • sales@kaypark.com
1301 Pine St. Janesville, IA 50647

2 Seat Round Top

Model #: **MC46PSRTPADA2**

Weight: **210 Lbs**

Material: **Perforated**



	NAME	DATE		
DRAWN	GM	4/26/2017	TITLE:	
SALES APPR.			2-Seat HCA Round Top Table	
CLIENT APPR.			Perforated Metal Version	
MFG APPR.			SIZE	DWG. NO.
Q.A.			A	?????
Design By -			REV	
CADWorksPro Chicago, IL			WEIGHT:	SHEET 3 OF 3
www.cadworkspro.com				

