



KAY PARK RECREATION

MAKING PLACES PEOPLE FRIENDLY • **SINCE 1954**

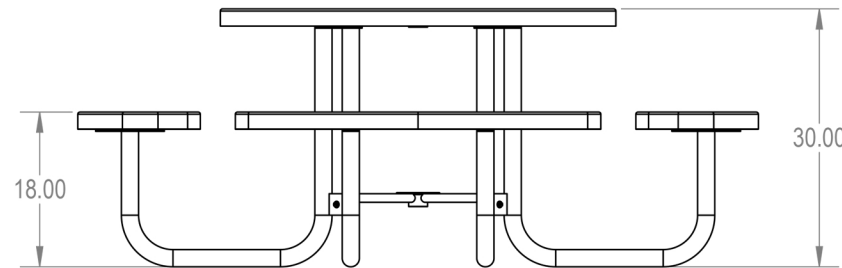
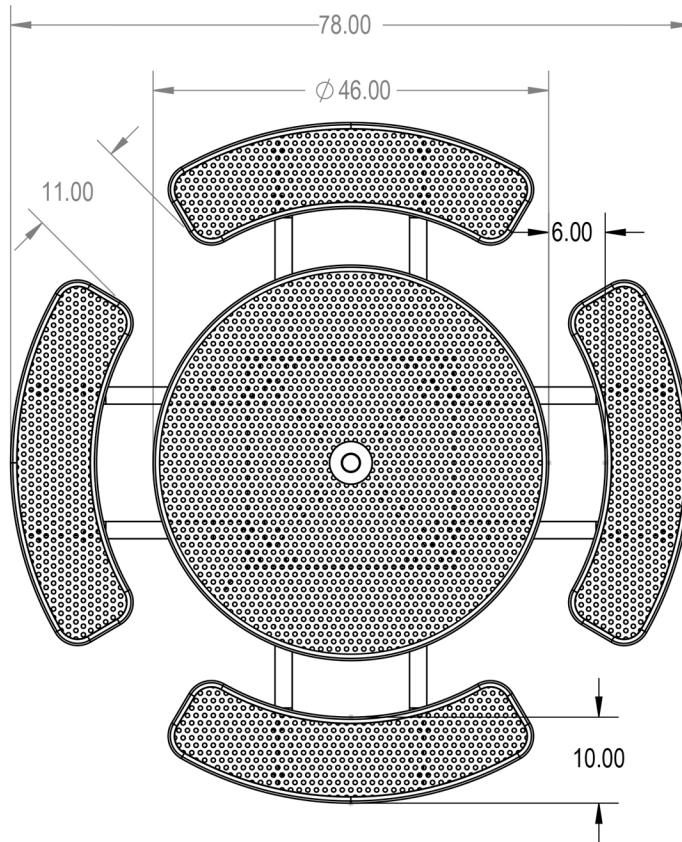
(800)553-2476 • sales@kaypark.com
1301 Pine St. Janesville, IA 50647

46in Round Top Table

Model #: **MCPSTRTP**

Weight: **257 Lbs**

Material: **Perforated**



PROPRIETARY AND CONFIDENTIAL
THE INFORMATION CONTAINED IN THIS DRAWING IS THE SOLE PROPERTY OF Advantage Panels & Fence, Inc. PO Box 1790 Whitney, TX. ANY REPRODUCTION IN PART OR AS A WHOLE WITHOUT THE WRITTEN PERMISSION OF Advantage Panels & Fence, Inc. PO Box 1790 Whitney, TX. IS PROHIBITED.

	NAME	DATE		
DRAWN	GM	1/3/2016		
SALES APPR.			TITLE:	
CLIENT APPR.			46in Round Table - Portable	
MFG APPR.			Perforated Metal Version	
Q.A.				
Design By -	CADWorksPro Chicago, IL		SIZE	REV
	www.cadworkspro.com		A	DWG. NO.
			WEIGHT:	SHEET 3 OF 3

